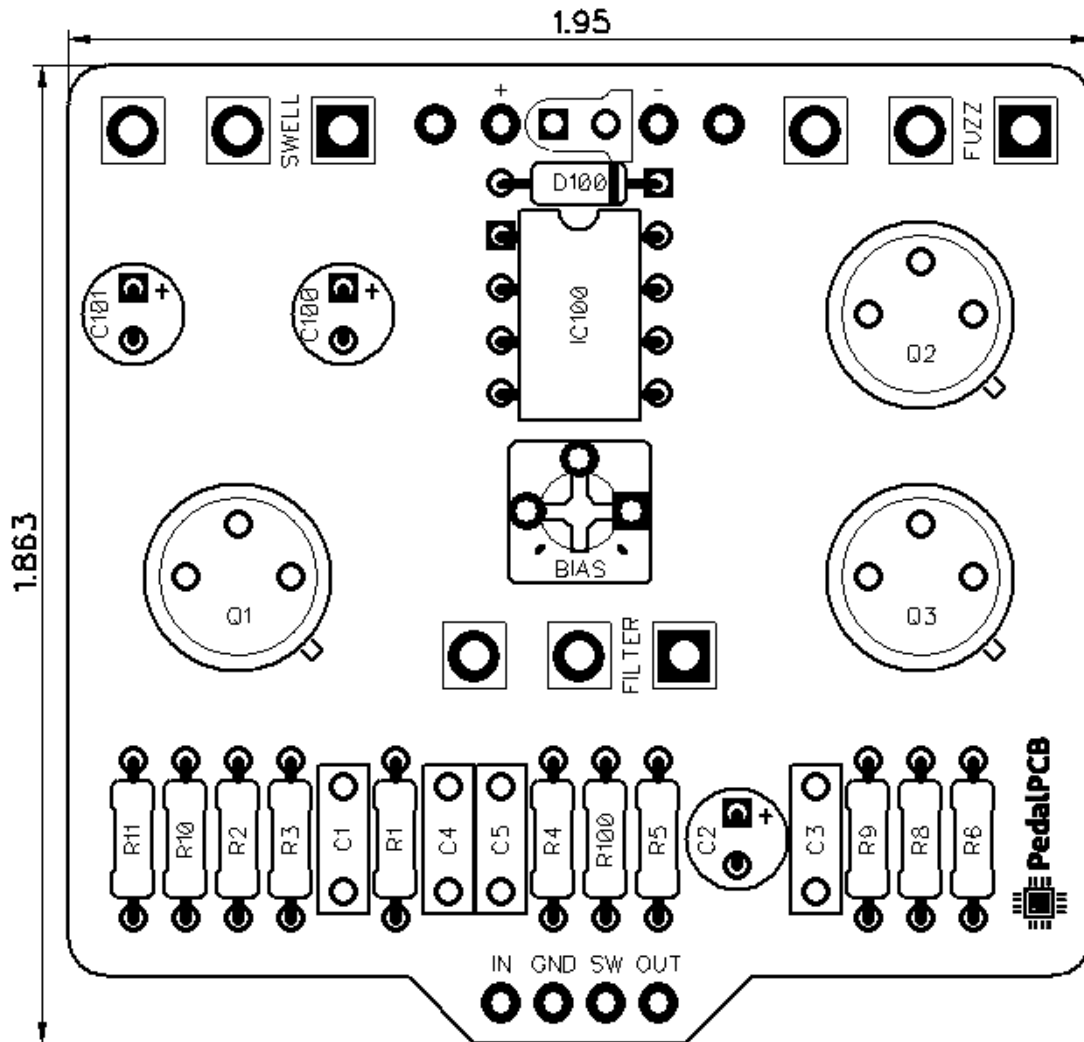




PedalPCB

Kilimanjaro Fuzz

Revision 08.02.18



Controls

- **Fuzz** - Controls the amount of fuzz
- **Swell** - Controls the overall output volume
- **Filter** - Controls input frequency range
- **Bias** - Sets the idle bias current

All trademarks and registered trademarks are the property of their respective owners. The company, product, and service names used in this web site are for identification purposes only. Use of these names, logos, and brands does not imply endorsement.

Kilimanjaro Fuzz

Parts List

RESISTORS

R1 1M
R2 1M
R3 4K7
R4 220K
R5 2K2
R6 33K
R8 15K
R9 15K
R10 56K
R11 1M
R100 4K7

CAPACITORS

C1 1n
C2 22u
C3 100n
C4 82n
C5 100n
C100 10u
C101 22u

TRANSISTORS

Q1 OC75
Q2 CV7004
Q3 OC75

INTEGRATED CIRCUITS

IC100 TC1044SCPA

DIODES

D100 1N5817

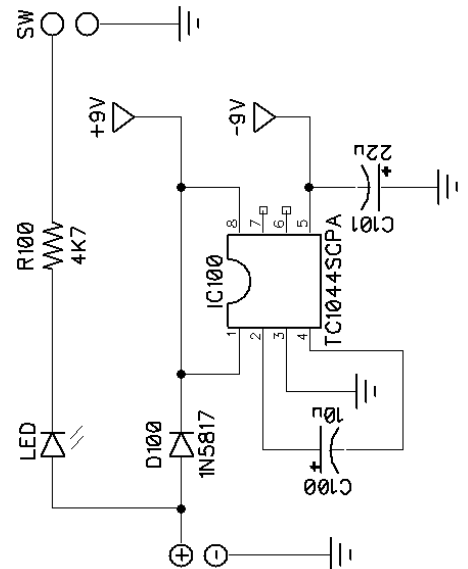
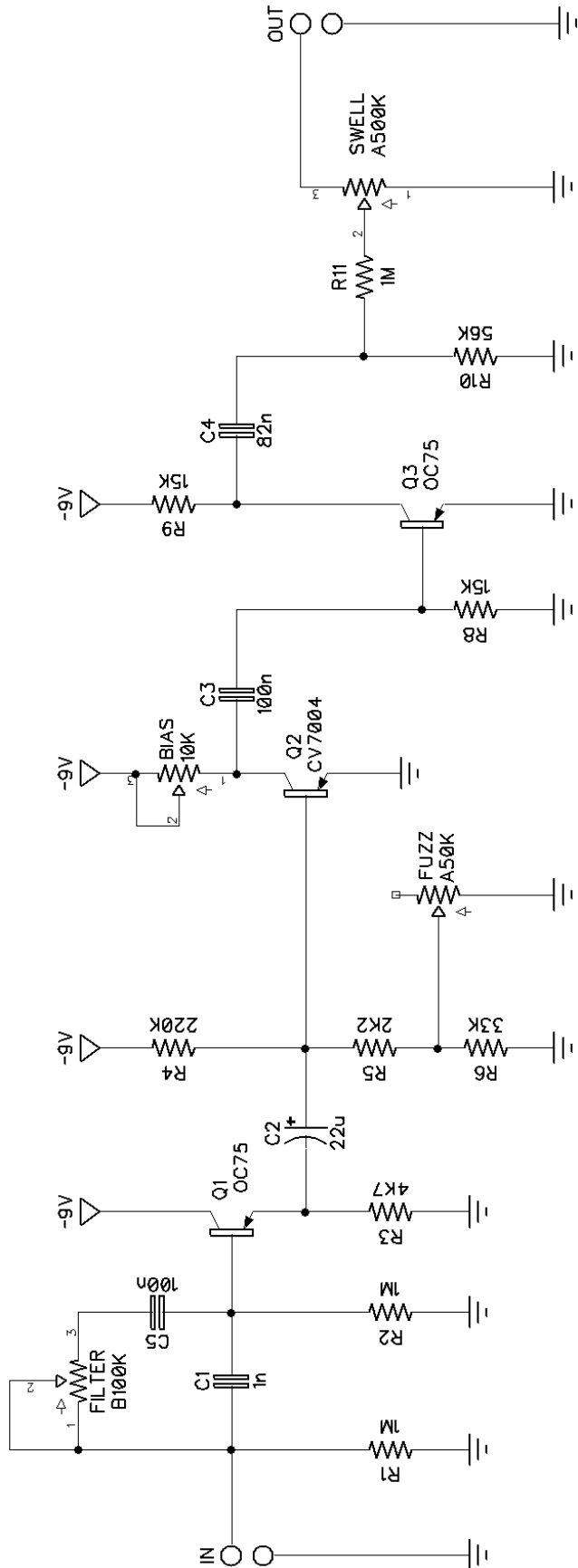
POTENTIOMETERS

FUZZ A50K
FILTER B100K
SWELL A500K

TRIM POTS (3362P)

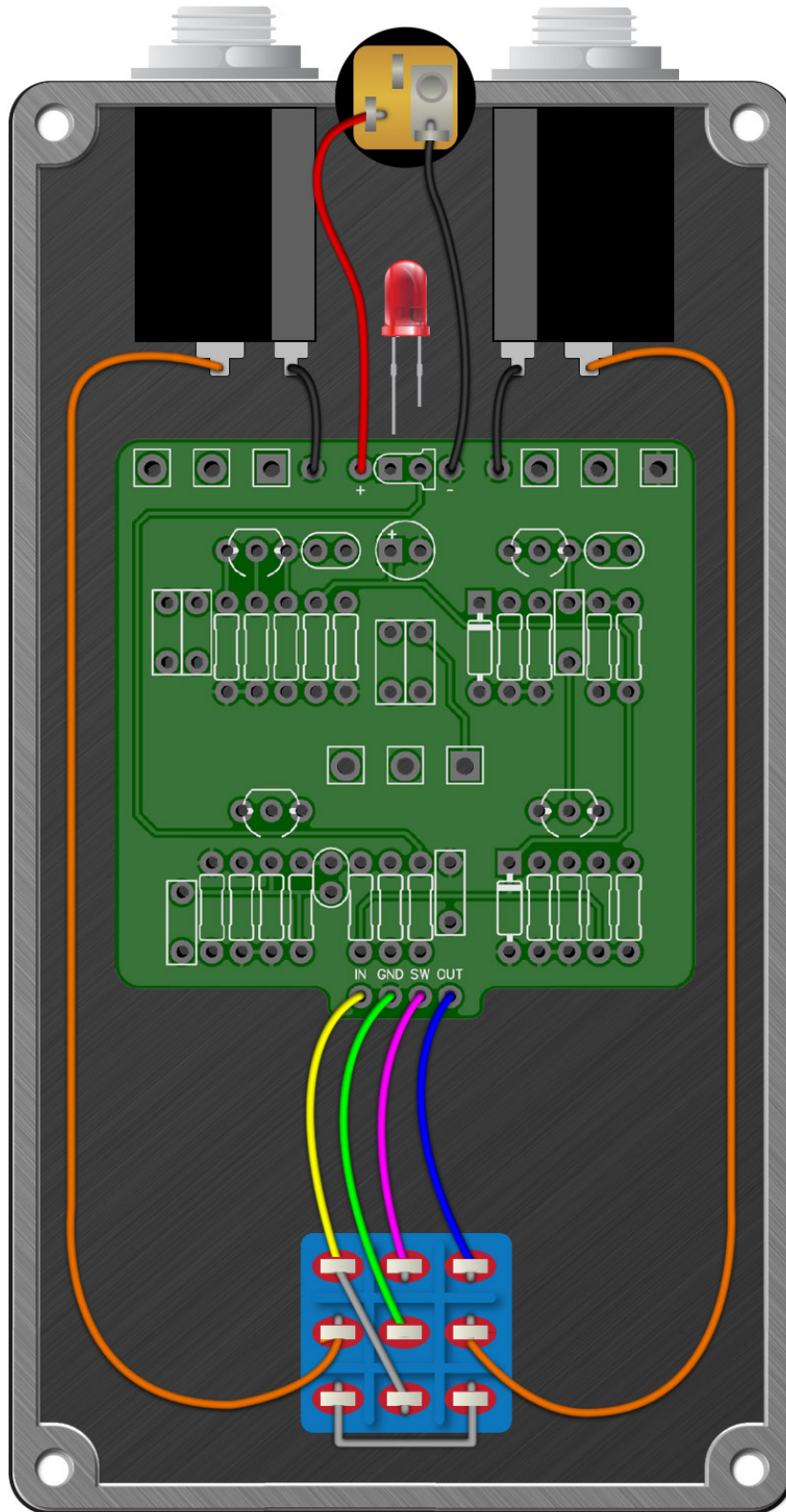
BIAS 10K

Kilimanjaro Fuzz



Kilimanjaro Fuzz

Wiring Diagram



Kilimanjaro Fuzz

Drill Template
125B enclosure with top mounted jacks

