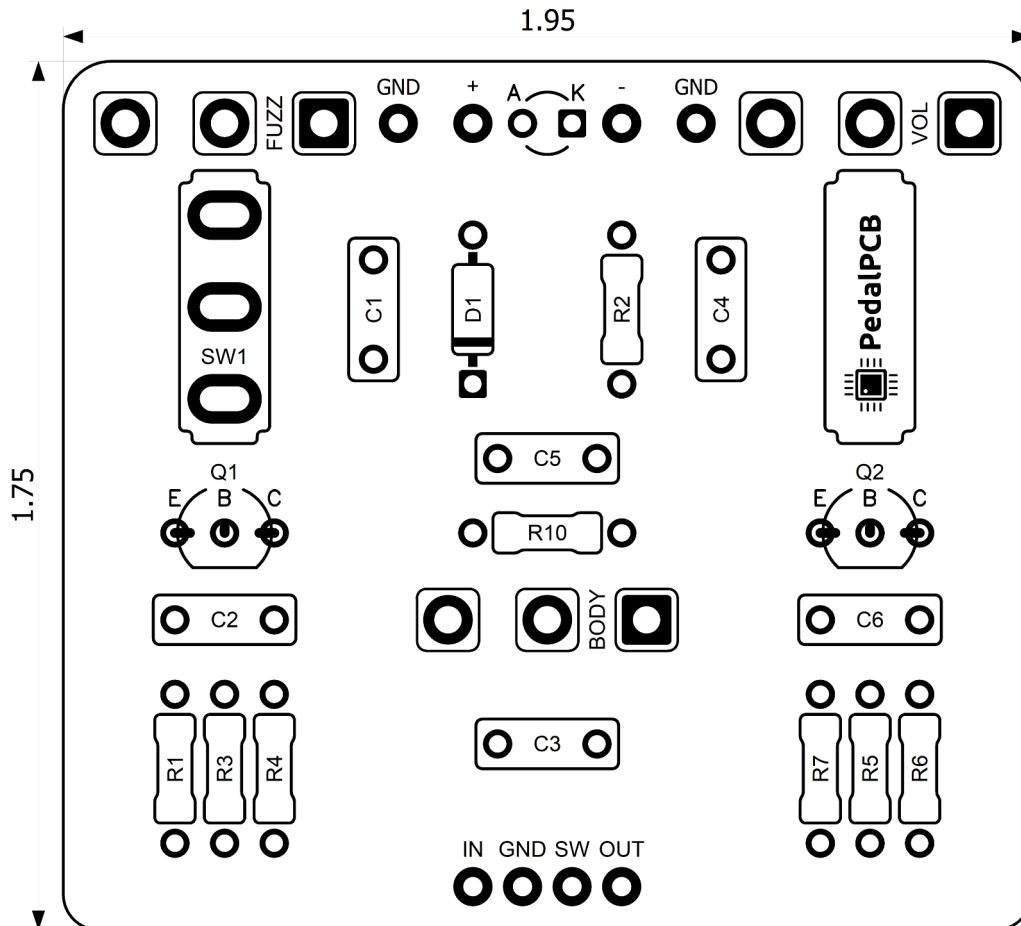




# PedalPCB

## Kazoo Fuzz

Revised 10/27/22



## CONTROLS AND FEATURES

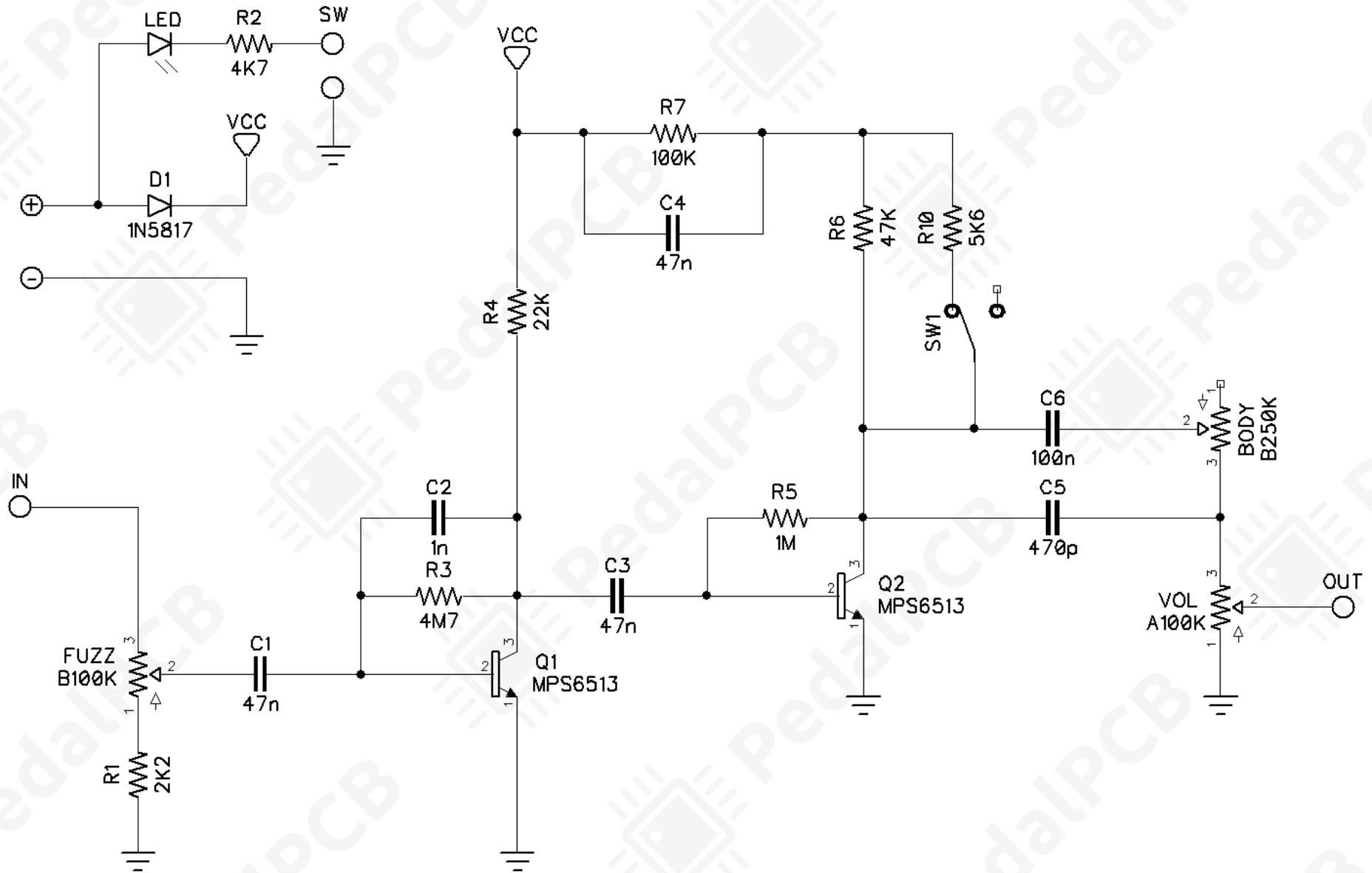
- Volume
- Fuzz
- Body
- Horn (Toggle Switch)

All trademarks and registered trademarks are the property of their respective owners. The company, product, and service names used in this web site are for identification purposes only. Use of these names, logos, and brands does not imply endorsement.



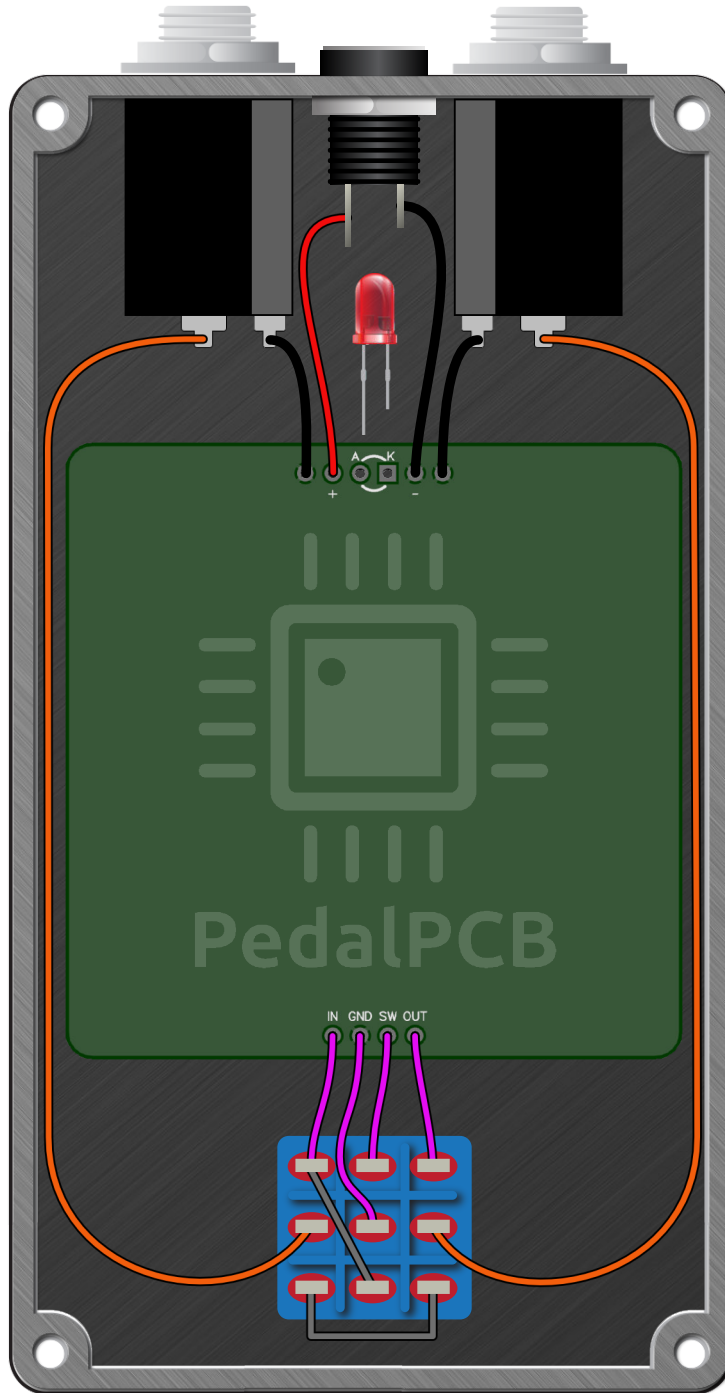
# Kazoo Fuzz

Schematic Diagram



# Kazoo Fuzz

Wiring Diagram



# Kazoo Fuzz

Drill Template  
125B Enclosure

