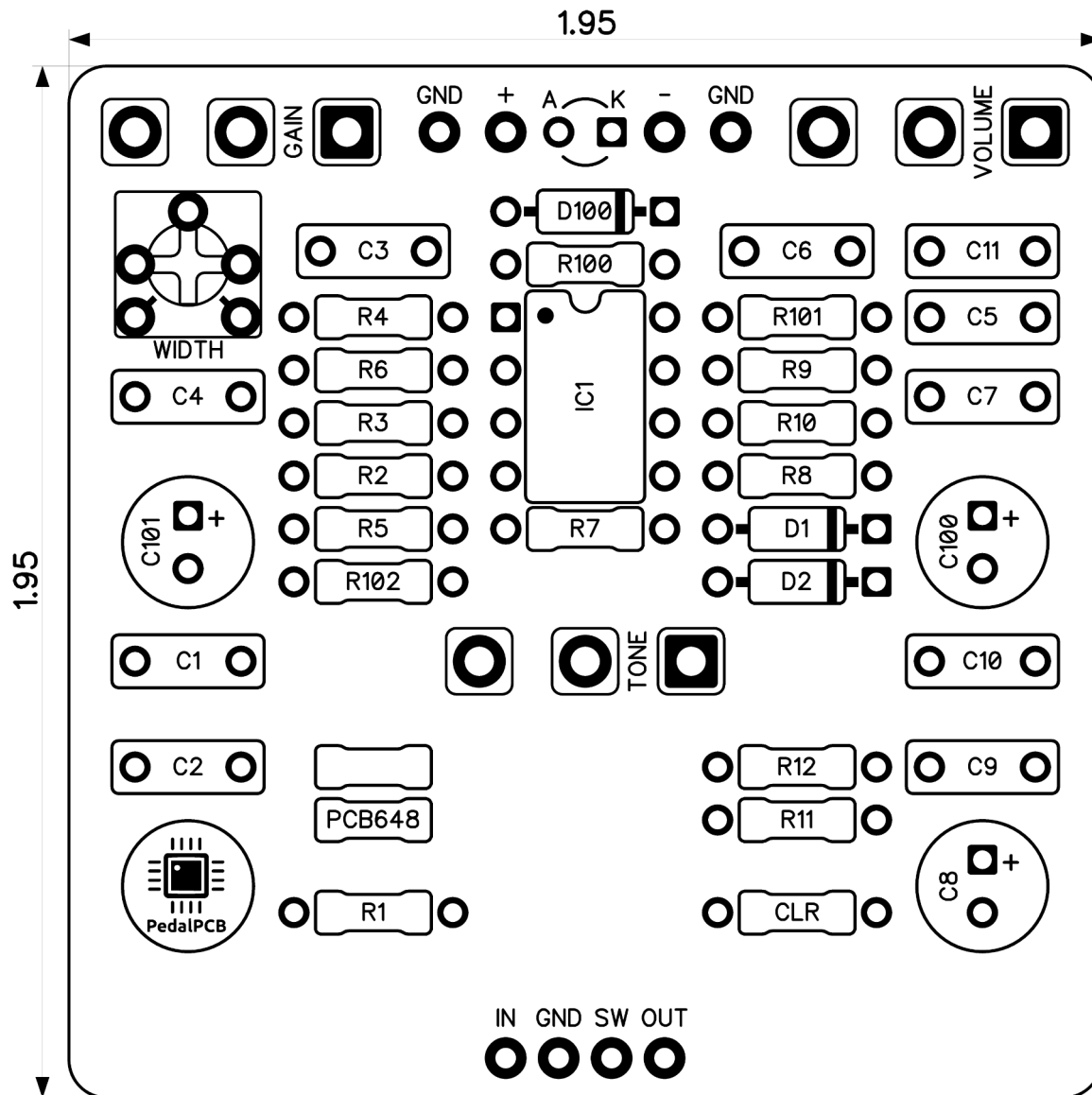




Kadundra Overdrive

Revised 1/3/24



CONTROLS AND FEATURES

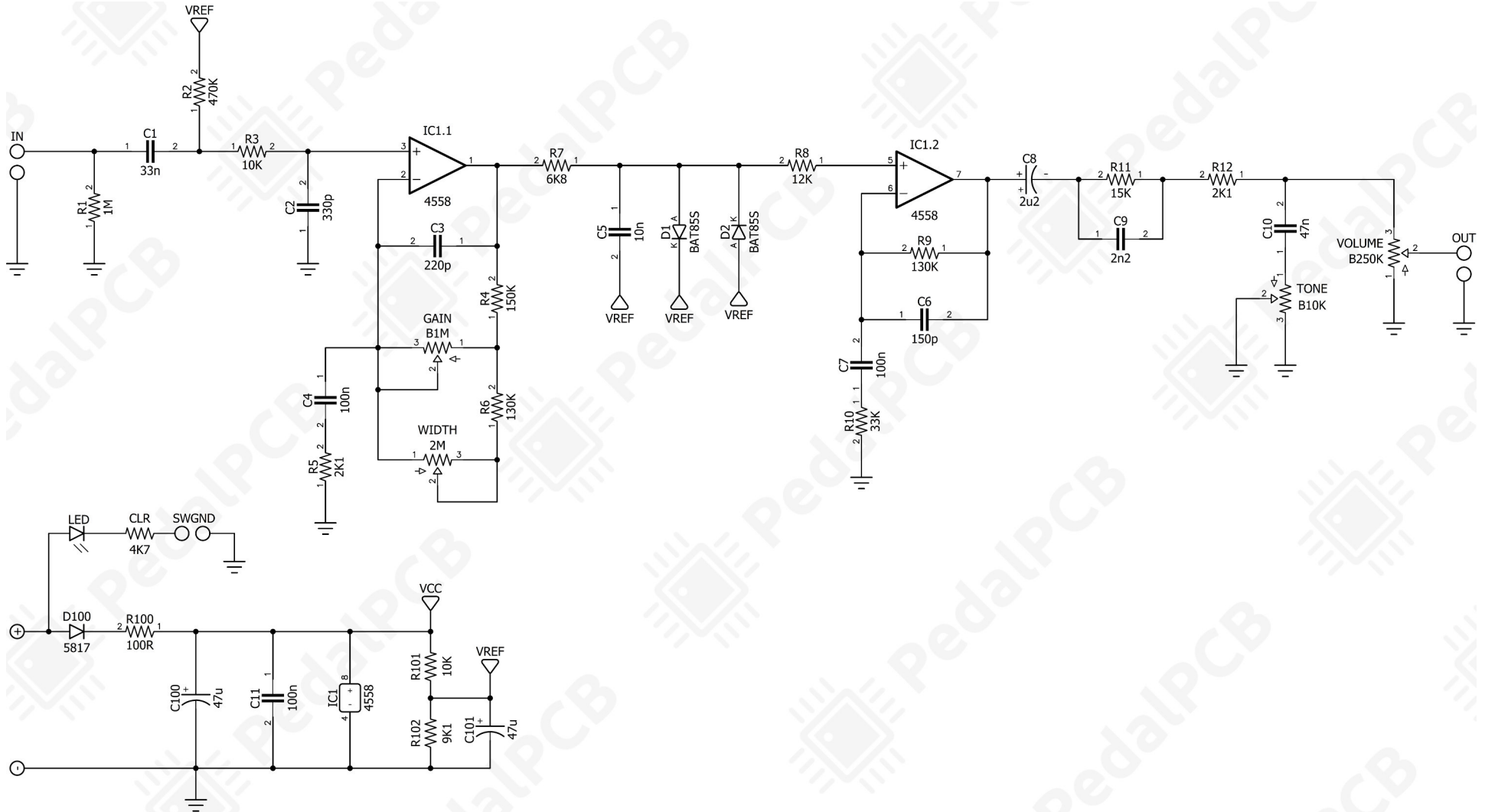
- Volume
- Tone
- Gain
- Gain Width (Internal Trim Pot)

All trademarks and registered trademarks are the property of their respective owners. The company, product, and service names used in this web site are for identification purposes only. Use of these names, logos, and brands does not imply endorsement.

LOCATION	VALUE	TYPE	NOTES
R1	1M	Resistor, 1/4W	
R2	470K	Resistor, 1/4W	
R3	10K	Resistor, 1/4W	
R4	150K	Resistor, 1/4W	
R5	2K1	Resistor, 1/4W	
R6	130K	Resistor, 1/4W	
R7	6K8	Resistor, 1/4W	
R8	12K	Resistor, 1/4W	
R9	130K	Resistor, 1/4W	
R10	33K	Resistor, 1/4W	
R11	15K	Resistor, 1/4W	
R12	2K1	Resistor, 1/4W	
R100	100R	Resistor, 1/4W	
R101	10K	Resistor, 1/4W	
R102	9K1	Resistor, 1/4W	
CLR	4K7	Resistor, 1/4W	* LED current limiting resistor
C1	33n	Film capacitor, 7.2 x 2.5mm	
C2	330p	Ceramic capacitor	
C3	220p	Ceramic capacitor	
C4	100n	Film capacitor, 7.2 x 2.5mm	
C5	10n	Film capacitor, 7.2 x 2.5mm	
C6	150p	Ceramic capacitor	
C7	100n	Film capacitor, 7.2 x 2.5mm	
C8	2u2	Electrolytic capacitor, 5mm	
C9	2n2	Film capacitor, 7.2 x 2.5mm	
C10	47n	Film capacitor, 7.2 x 2.5mm	
C11	100n	Film capacitor, 7.2 x 2.5mm	
C100	47u	Electrolytic capacitor, 5mm	
C101	47u	Electrolytic capacitor, 5mm	
D1	BAT85S	Schottky diode, DO-35	
D2	BAT85S	Schottky diode, DO-35	
D100	1N5817	Schottky diode, DO-41	
IC1	RC4558P	Dual op-amp, DIP8	
VOLUME	B250K	16mm right-angle PCB mount pot	
TONE	B10K	16mm right-angle PCB mount pot	
GAIN	B1M	16mm right-angle PCB mount pot	
WIDTH	2M	Trimmer potentiometer, 3362P type	

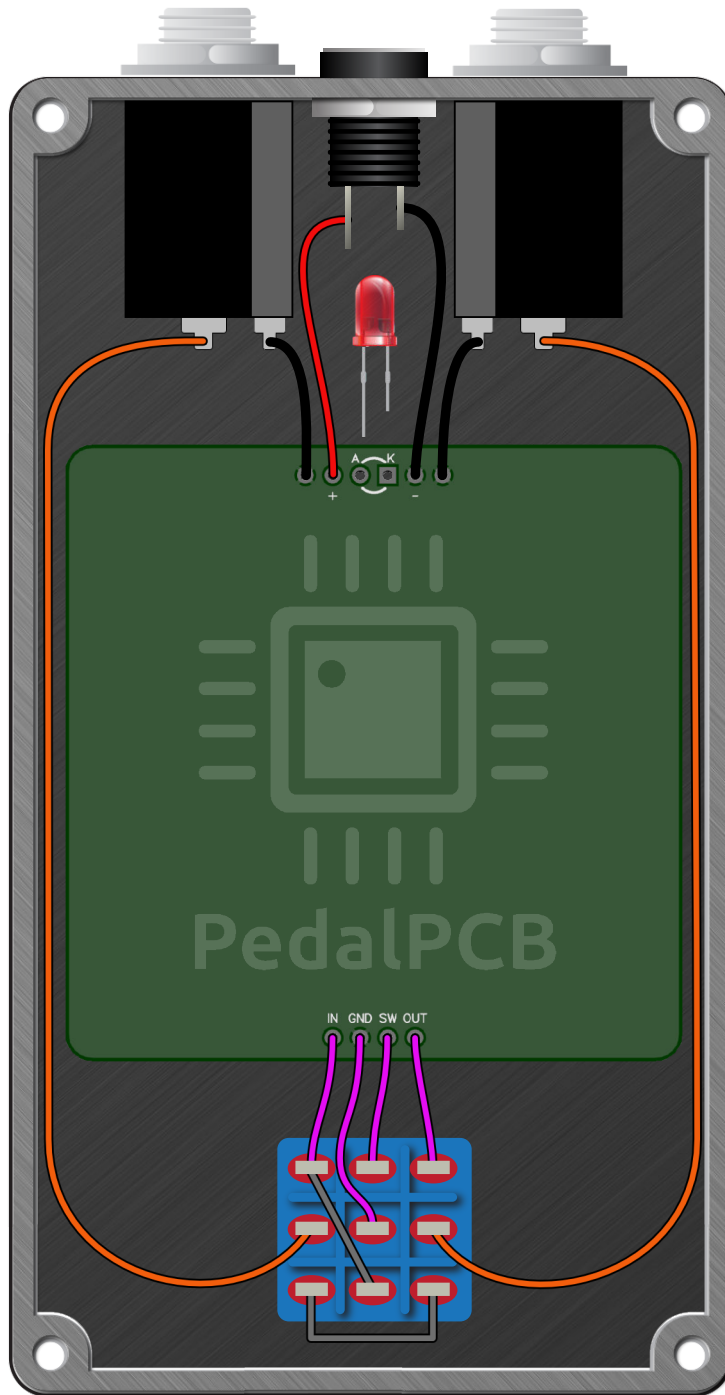
Kadundra Overdrive

Schematic Diagram



Kadundra Overdrive

Wiring Diagram



Kadundra Overdrive

Drill Template
125B Enclosure

