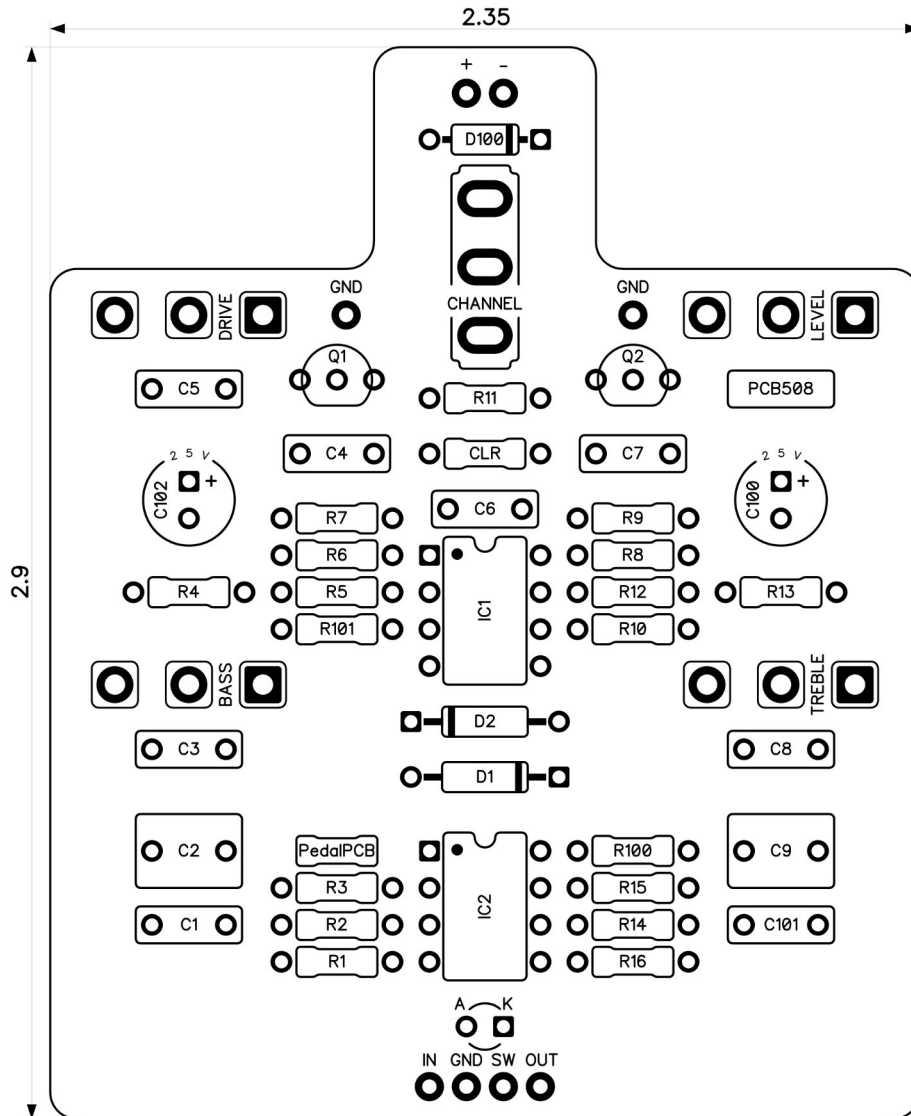




PedalPCB

Jump Drive

Revised 10/28/22



CONTROLS AND FEATURES

- Level
- Drive
- Treble
- Bass
- Channel (Toggle switch)

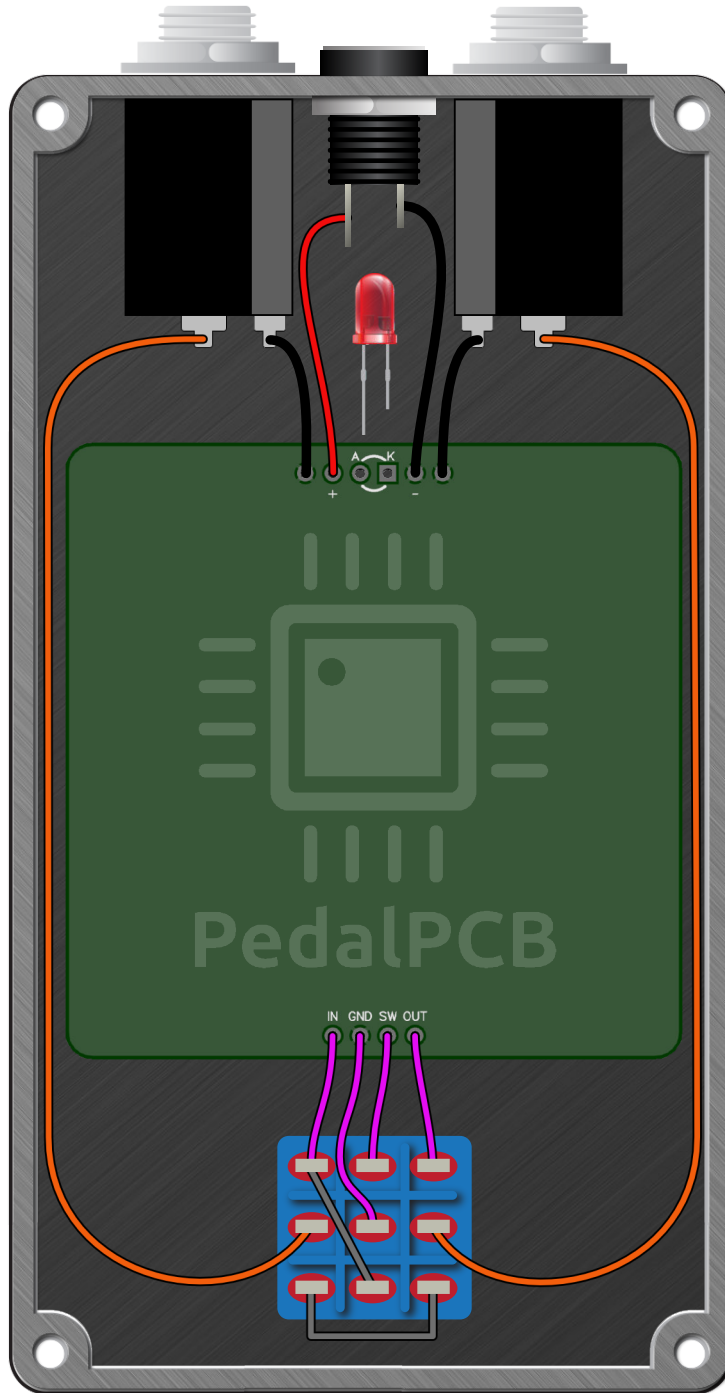
All trademarks and registered trademarks are the property of their respective owners. The company, product, and service names used in this web site are for identification purposes only. Use of these names, logos, and brands does not imply endorsement.

LOCATION	VALUE	TYPE	NOTES
R1	1M	Resistor, 1/4W	
R2	1K	Resistor, 1/4W	
R3	1M	Resistor, 1/4W	
R4	2K7	Resistor, 1/4W	
R5	68K	Resistor, 1/4W	
R6	27K	Resistor, 1/4W	
R7	47K	Resistor, 1/4W	
R8	3K3	Resistor, 1/4W	
R9	10K	Resistor, 1/4W	
R10	27K	Resistor, 1/4W	
R11	270K	Resistor, 1/4W	
R12	1K	Resistor, 1/4W	
R13	3K3	Resistor, 1/4W	
R14	1K	Resistor, 1/4W	
R15	3K3	Resistor, 1/4W	
R16	1K	Resistor, 1/4W	
R100	10K	Resistor, 1/4W	
R101	10K	Resistor, 1/4W	
CLR	4K7	Resistor, 1/4W	LED current limiting resistor
C1	3n3	Film capacitor, 7.2 x 2.5mm	
C2	1u	Film capacitor, 7.2 x 5.0mm	
C3	100n	Film capacitor, 7.2 x 2.5mm	
C4	1n	Film capacitor, 7.2 x 2.5mm	
C5	470p	Ceramic capacitor	
C6	100n	Film capacitor, 7.2 x 2.5mm	
C7	4n7	Film capacitor, 7.2 x 2.5mm	
C8	5n6	Film capacitor, 7.2 x 2.5mm	
C9	1u	Film capacitor, 7.2 x 5.0mm	
C100	100u	Electrolytic capacitor, 5mm	
C101	100n	Film capacitor, 7.2 x 2.5mm	
C102	47u	Electrolytic capacitor, 5mm	
D1	GE	Germanium diode	1N34A, 1N270, etc
D2	GE	Germanium diode	1N34A, 1N270, etc
D100	1N5817	Schottky diode, DO-41	
IC1	JRC4558D	Dual op-amp, DIP8	
IC2	JRC4558D	Dual op-amp, DIP8	
Q1	2N7000	N-Channel MOSFET	
Q2	2N7000	N-Channel MOSFET	
LEVEL	B10K	16mm right-angle PCB mount pot	
DRIVE	C50K	16mm right-angle PCB mount pot	
TREBLE	B50K	16mm right-angle PCB mount pot	
BASS	C10K	16mm right-angle PCB mount pot	
CHANNEL	ON/ON	Toggle switch, SPDT	2-position (ON/ON)

Schematic coming soon

Jump Drive

Wiring Diagram



Jump Drive

Drill Template
125B Enclosure

