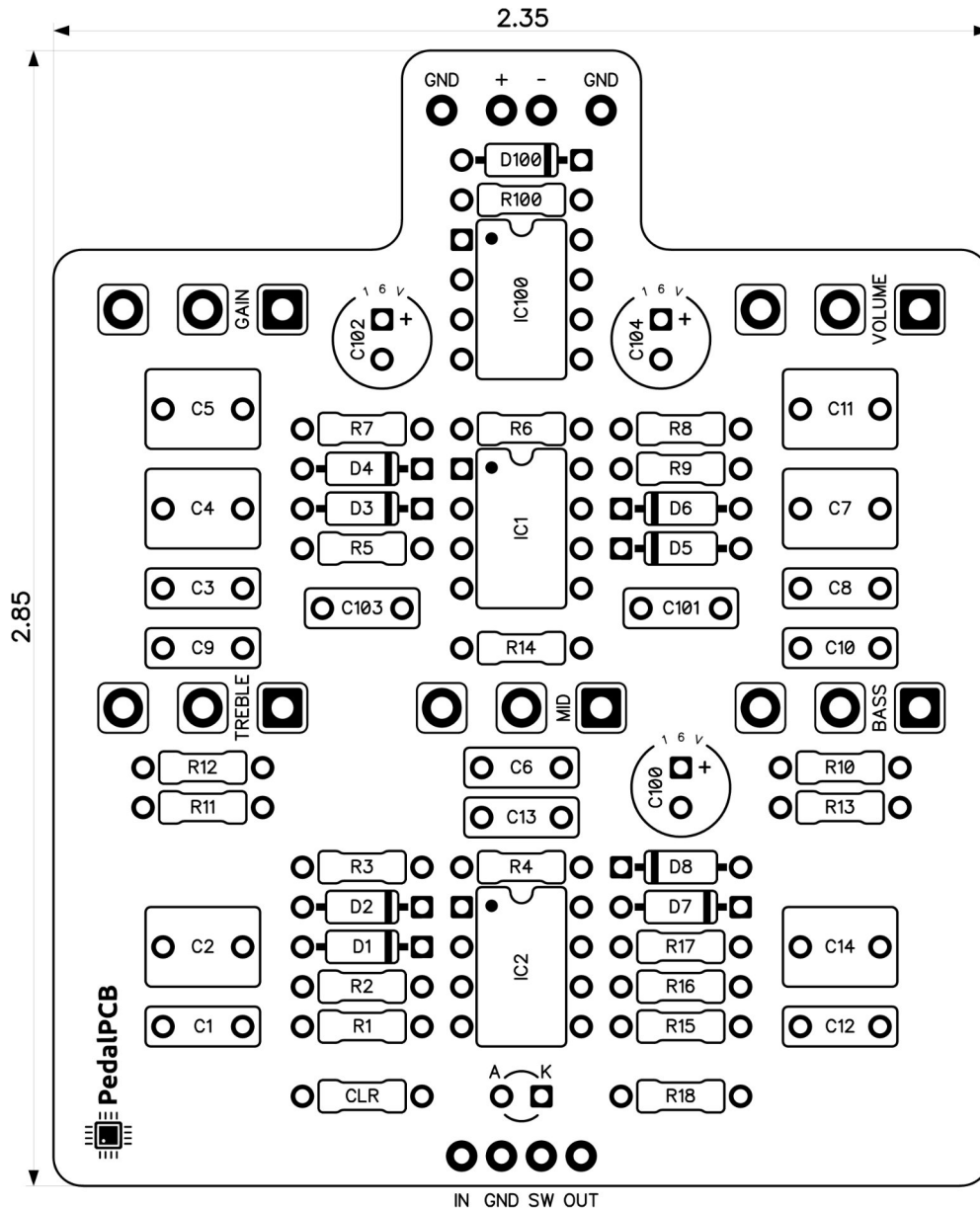


PedalPCB

The John Preamp

Revised 12/24/22



CONTROLS AND FEATURES

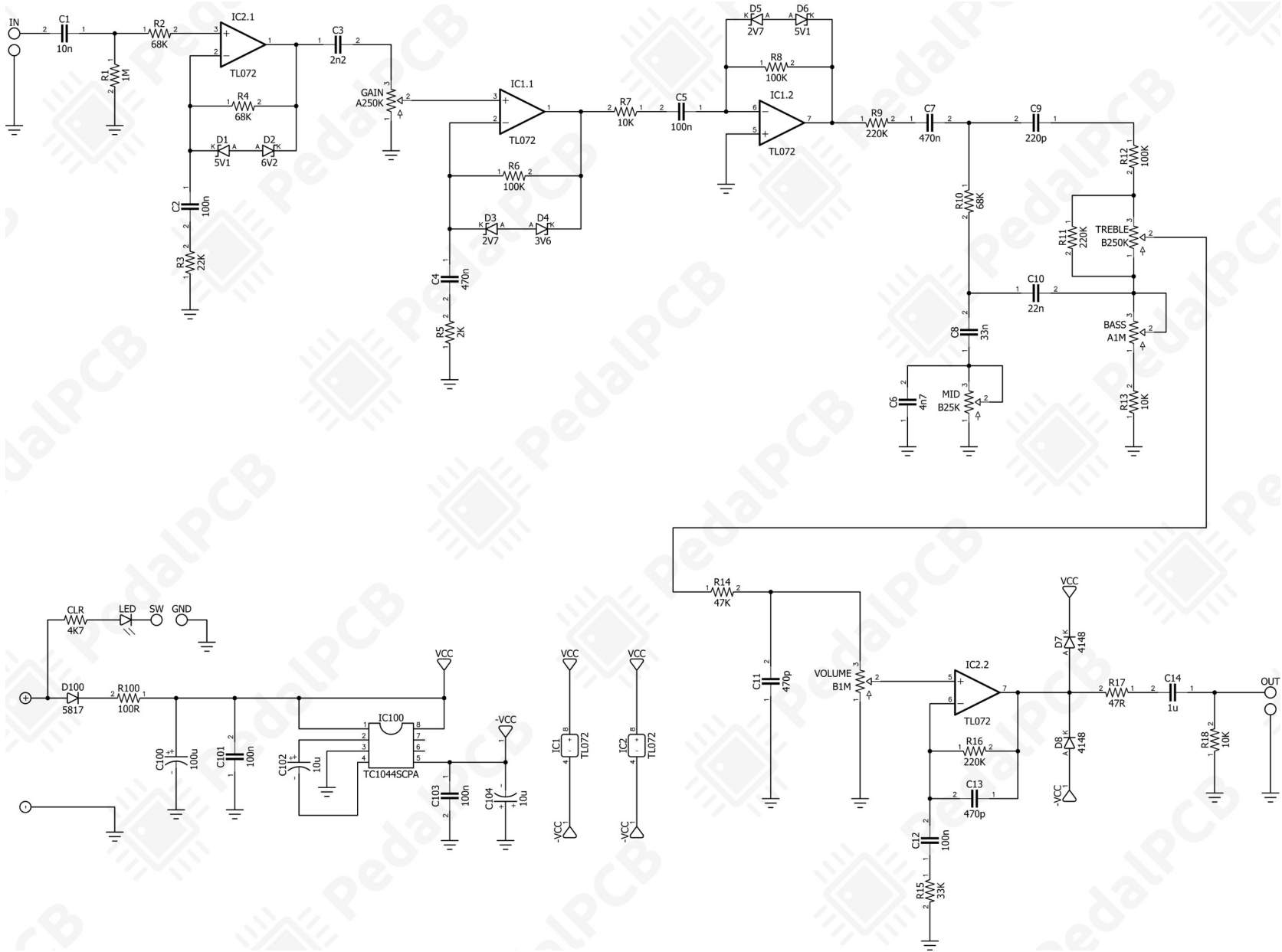
- Volume
- Gain
- Bass
- Mid
- Treble

All trademarks and registered trademarks are the property of their respective owners. The company, product, and service names used in this web site are for identification purposes only. Use of these names, logos, and brands does not imply endorsement.

LOCATION	VALUE	TYPE	NOTES
R1	1M	Resistor, 1/4W	
R2	68K	Resistor, 1/4W	
R3	22K	Resistor, 1/4W	
R4	68K	Resistor, 1/4W	
R5	2K	Resistor, 1/4W	
R6	100K	Resistor, 1/4W	
R7	10K	Resistor, 1/4W	
R8	100K	Resistor, 1/4W	
R9	220K	Resistor, 1/4W	
R10	68K	Resistor, 1/4W	
R11	220K	Resistor, 1/4W	
R12	100K	Resistor, 1/4W	
R13	10K	Resistor, 1/4W	
R14	47K	Resistor, 1/4W	
R15	33K	Resistor, 1/4W	
R16	220K	Resistor, 1/4W	
R17	47R	Resistor, 1/4W	
R18	10K	Resistor, 1/4W	
R100	100R	Resistor, 1/4W	
CLR	4K7	Resistor, 1/4W	* LED current limiting resistor
C1	10n	Film capacitor, 7.2 x 2.5mm	
C2	100n	Film capacitor, 7.2 x 2.5mm	
C3	2n2	Film capacitor, 7.2 x 2.5mm	
C4	470n	Film capacitor, 7.2 x 5.0mm	
C5	100n	Film capacitor, 7.2 x 2.5mm	
C6	4n7	Film capacitor, 7.2 x 2.5mm	
C7	470n	Film capacitor, 7.2 x 5.0mm	
C8	33n	Film capacitor, 7.2 x 2.5mm	
C9	220p	Ceramic capacitor	
C10	22n	Film capacitor, 7.2 x 2.5mm	
C11	470p	Ceramic capacitor	
C12	100n	Film capacitor, 7.2 x 2.5mm	
C13	470p	Ceramic capacitor	
C14	1u	Film capacitor, 7.2 x 5.0mm	
C100	100u	Electrolytic capacitor, 6.3mm	
C101	100n	Film capacitor, 7.2 x 2.5mm	
C102	10u	Electrolytic capacitor, 6.3mm	
C103	100n	Film capacitor, 7.2 x 2.5mm	
C104	10u	Electrolytic capacitor, 6.3mm	
D1	5V1	Zener diode, 5.1V 1/2W	BZX55C5V1
D2	6V2	Zener diode, 6.2V 1/2W	BZX55C6V2
D3	2V7	Zener diode, 2.7V 1/2W	BZX55C2V7
D4	3V6	Zener diode, 3.6V 1/2W	BZX55C3V6
D5	2V7	Zener diode, 2.7V 1/2W	BZX55C2V7
D6	5V1	Zener diode, 5.1V 1/2W	BZX55C5V1
D7	1N4148	Signal diode, DO-35	
D8	1N4148	Signal diode, DO-35	
D100	1N5817	Schottky diode, DO-41	
IC1	TL072	Dual op-amp, DIP8	
IC2	TL072	Dual op-amp, DIP8	
IC100	TC1044SCPA	Charge pump IC, DIP8	
VOLUME	B1M	16mm right-angle PCB mount pot	
GAIN	A250K	16mm right-angle PCB mount pot	
BASS	A1M	16mm right-angle PCB mount pot	
MID	B25K	16mm right-angle PCB mount pot	
TREBLE	B250K	16mm right-angle PCB mount pot	

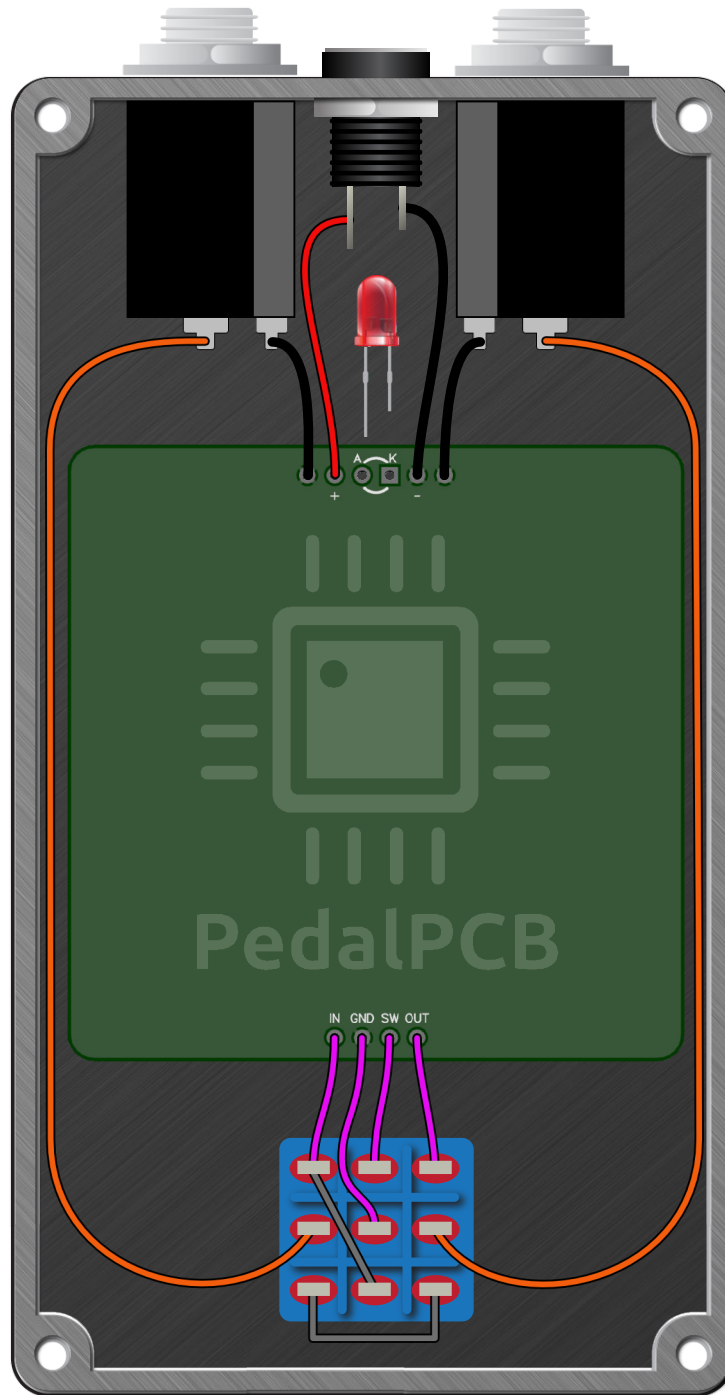
The John Preamp

Schematic Diagram



The John Preamp

Wiring Diagram



The John Preamp

Drill Template
125B Enclosure

