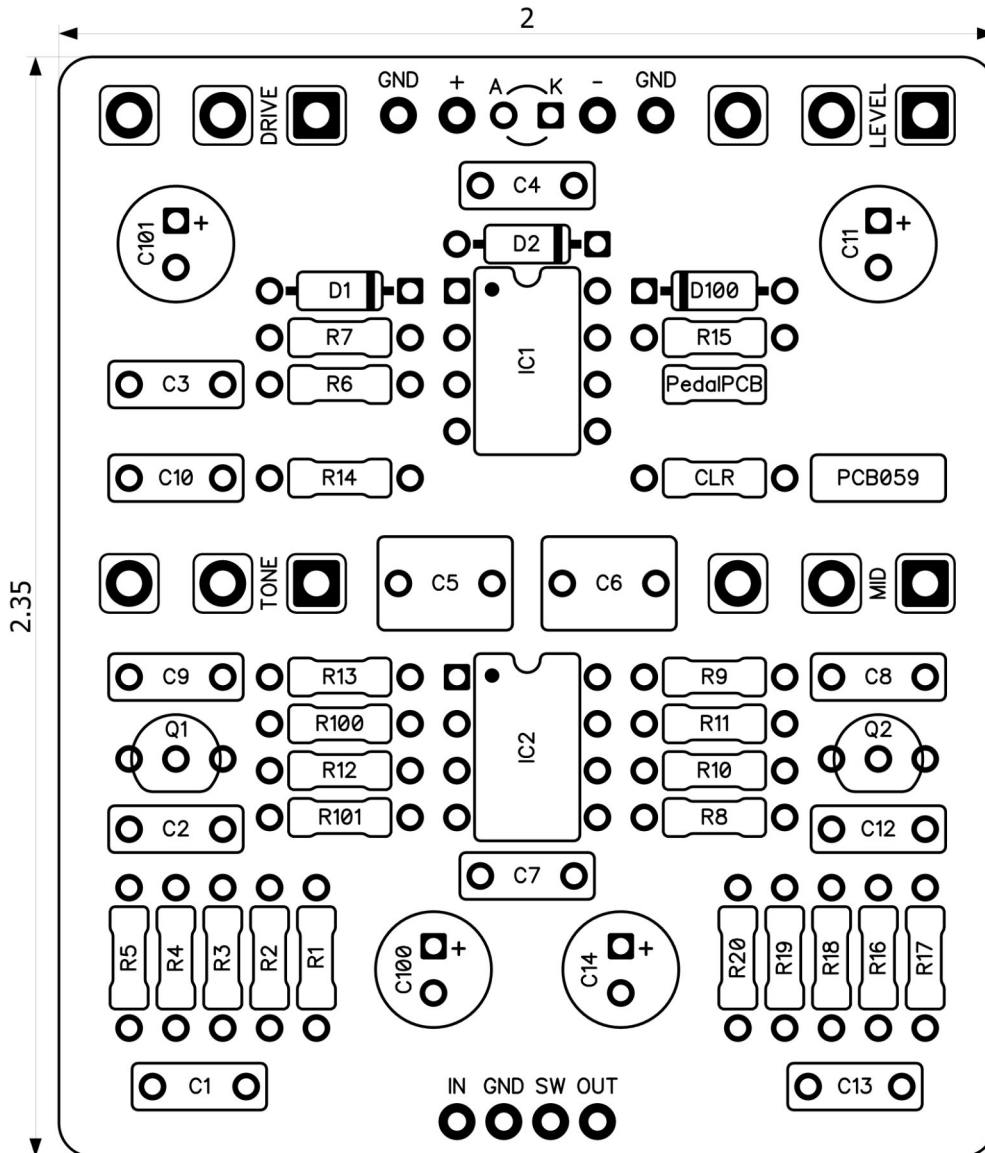




Jet Drive

Revised 4/4/24



CONTROLS AND FEATURES

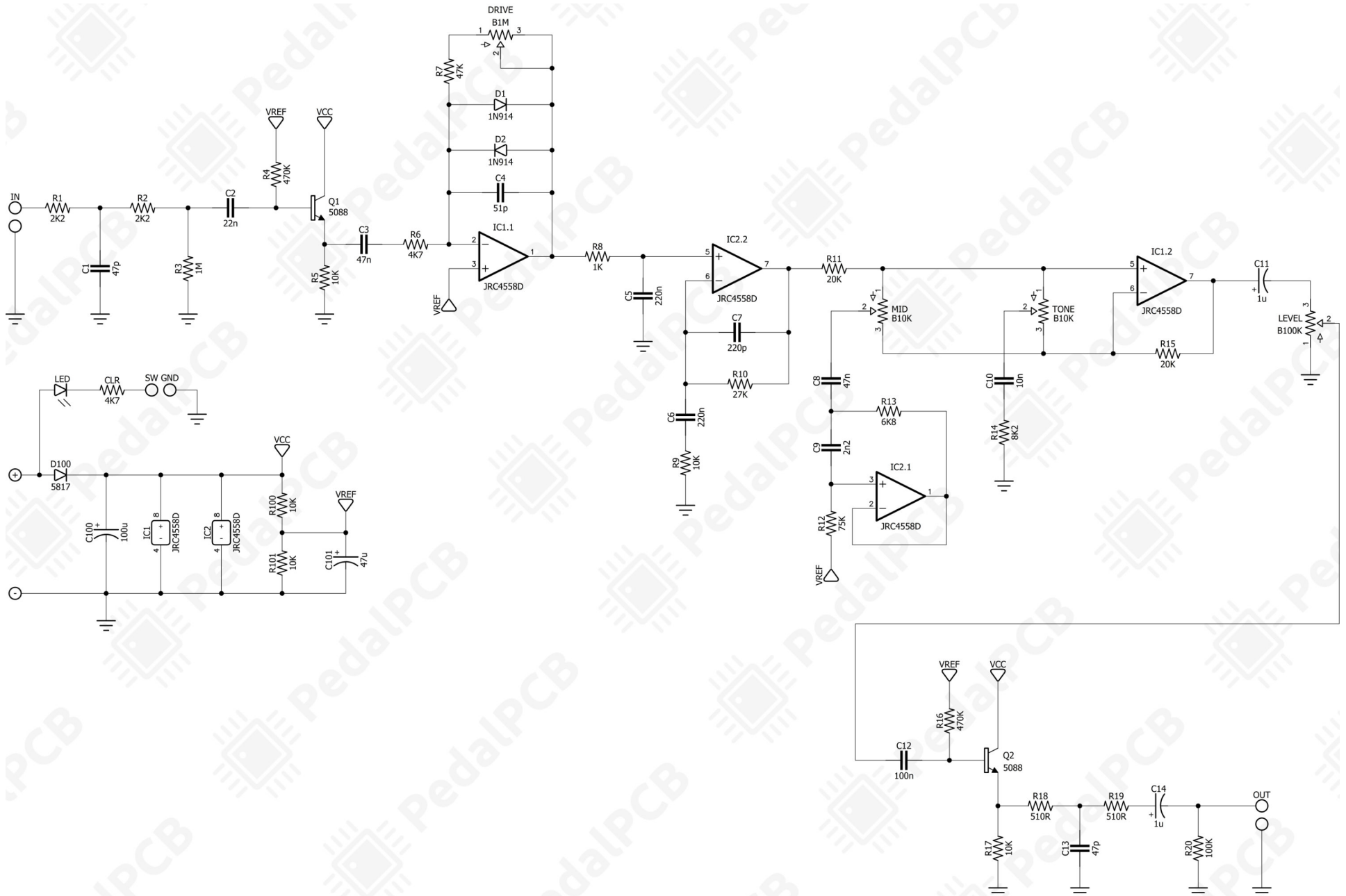
- Level
- Drive
- Mid
- Tone

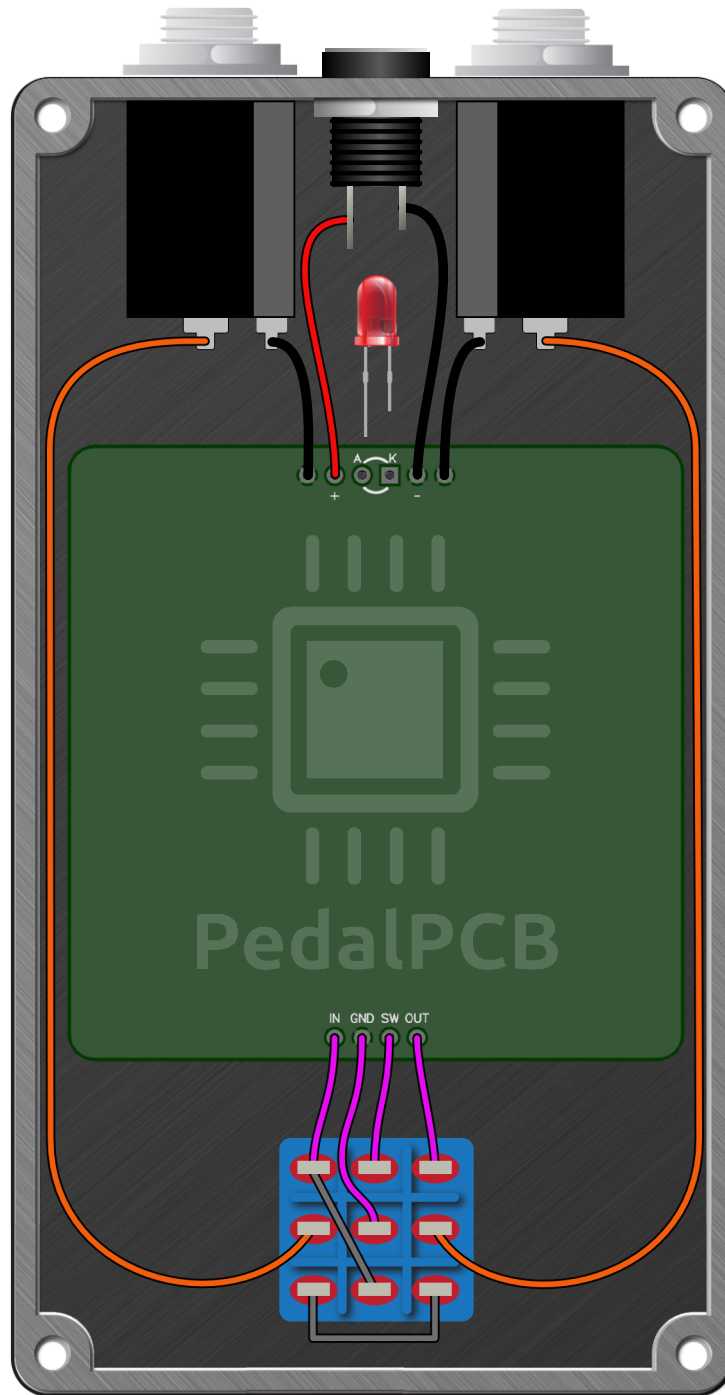
All trademarks and registered trademarks are the property of their respective owners. The company, product, and service names used in this web site are for identification purposes only. Use of these names, logos, and brands does not imply endorsement.

LOCATION	VALUE	TYPE	NOTES
R1	2K2	Resistor, 1/4W	
R2	2K2	Resistor, 1/4W	
R3	1M	Resistor, 1/4W	
R4	470K	Resistor, 1/4W	
R5	10K	Resistor, 1/4W	
R6	4K7	Resistor, 1/4W	
R7	47K	Resistor, 1/4W	
R8	1K	Resistor, 1/4W	
R9	10K	Resistor, 1/4W	
R10	27K	Resistor, 1/4W	
R11	20K	Resistor, 1/4W	
R12	75K	Resistor, 1/4W	
R13	6K8	Resistor, 1/4W	
R14	8K2	Resistor, 1/4W	
R15	20K	Resistor, 1/4W	
R16	470K	Resistor, 1/4W	
R17	10K	Resistor, 1/4W	
R18	510R	Resistor, 1/4W	
R19	510R	Resistor, 1/4W	
R20	100K	Resistor, 1/4W	
R100	10K	Resistor, 1/4W	
R101	10K	Resistor, 1/4W	
CLR	4K7	Resistor, 1/4W	* LED current limiting resistor
C1	47p	Ceramic capacitor	
C2	22n	Film capacitor, 7.2 x 2.5mm	
C3	47n	Film capacitor, 7.2 x 2.5mm	
C4	51p	Ceramic capacitor	
C5	220n	Film capacitor, 7.2 x 5.0mm	
C6	220n	Film capacitor, 7.2 x 5.0mm	
C7	220p	Ceramic capacitor	
C8	47n	Film capacitor, 7.2 x 2.5mm	
C9	2n2	Film capacitor, 7.2 x 2.5mm	
C10	10n	Film capacitor, 7.2 x 2.5mm	
C11	1u	Electrolytic capacitor, 5mm	
C12	100n	Film capacitor, 7.2 x 2.5mm	
C13	47p	Ceramic capacitor	
C14	1u	Electrolytic capacitor, 5mm	
C100	100u	Electrolytic capacitor, 5mm	
C101	47u	Electrolytic capacitor, 5mm	
D1	1N914	Signal diode, DO-35	
D2	1N914	Signal diode, DO-35	
D100	1N5817	Schottky diode, DO-41	
Q1	2N5088	BJT transistor, NPN TO-92	
Q2	2N5088	BJT transistor, NPN TO-92	
IC1	JRC4558D	Dual op-amp, DIP8	
IC2	JRC4558D	Dual op-amp, DIP8	
LEVEL	B100K	16mm right-angle PCB mount pot	
DRIVE	B1M	16mm right-angle PCB mount pot	
MID	B10K	16mm right-angle PCB mount pot	
TONE	B10K	16mm right-angle PCB mount pot	

Jet Drive

Schematic Diagram





Drill Template 125B Enclosure

