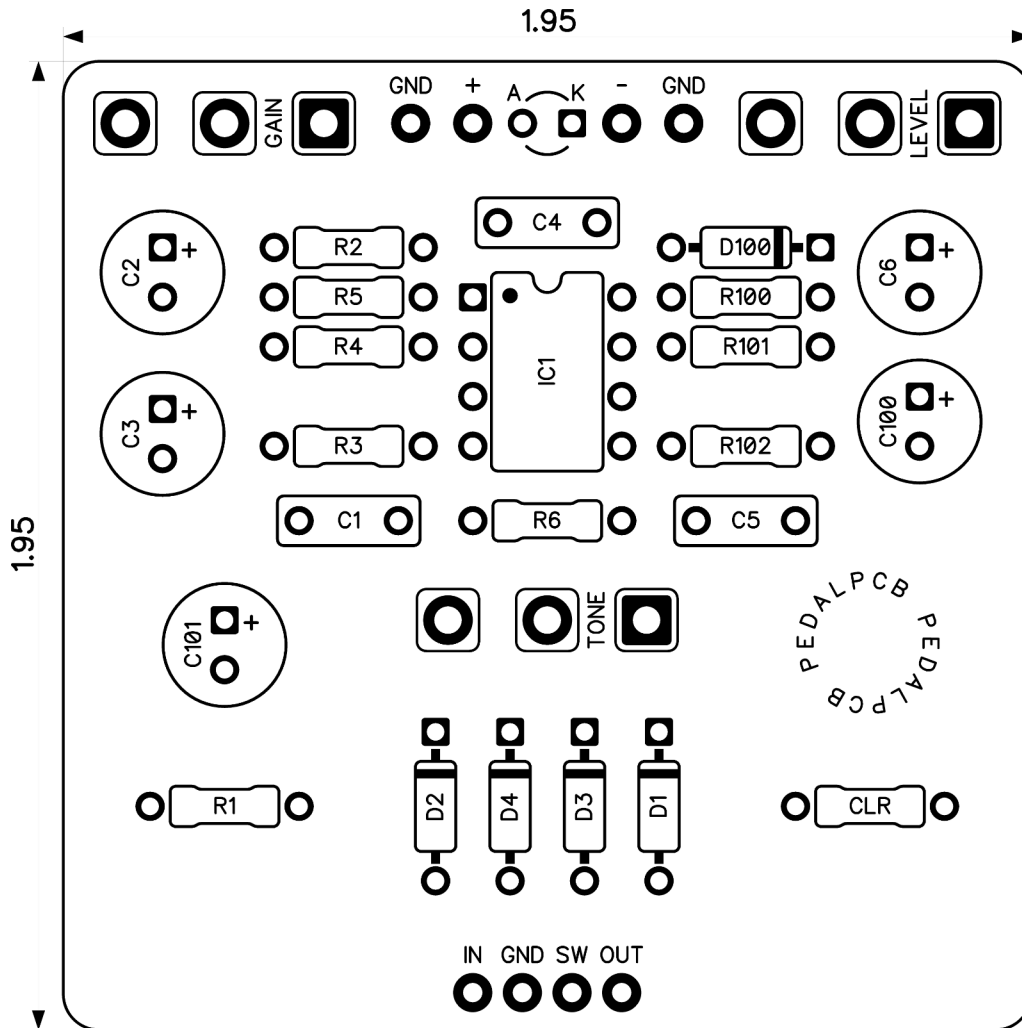


PedalPCB

Jackpot Overdrive

Revised 3/19/25



CONTROLS AND FEATURES

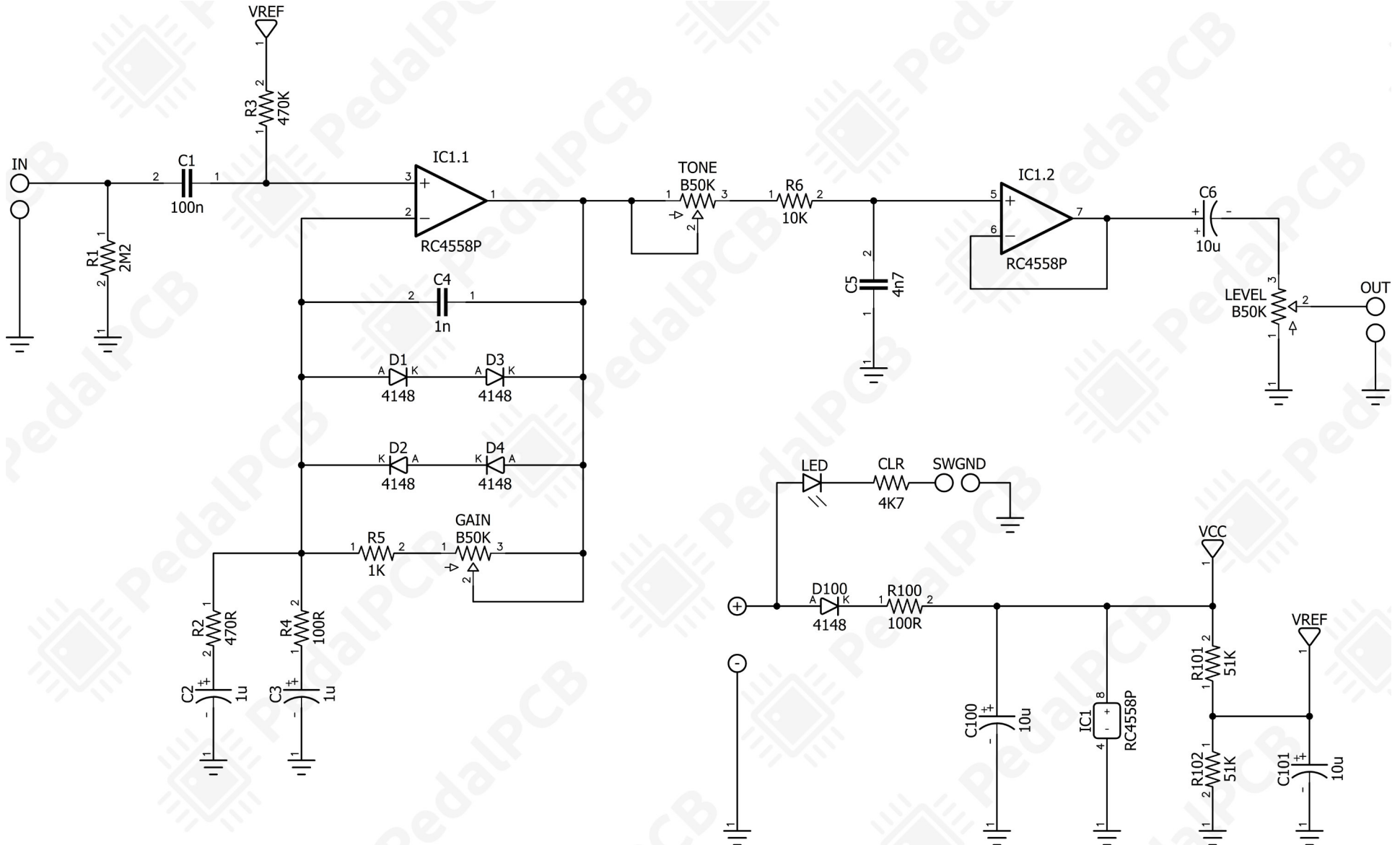
- Level
- Tone
- Gain

All trademarks and registered trademarks are the property of their respective owners. The company, product, and service names used in this web site are for identification purposes only. Use of these names, logos, and brands does not imply endorsement.

LOCATION	VALUE	TYPE	NOTES
R1	2M2	Resistor, 1/4W	
R2	470R	Resistor, 1/4W	
R3	470K	Resistor, 1/4W	
R4	100R	Resistor, 1/4W	
R5	1K	Resistor, 1/4W	
R6	10K	Resistor, 1/4W	
R100	100R	Resistor, 1/4W	
R101	51K	Resistor, 1/4W	
R102	51K	Resistor, 1/4W	
CLR	4K7	Resistor, 1/4W	* <i>LED current limiting resistor</i>
C1	100n	Film capacitor, 7.2 x 2.5mm	
C2	1u	Electrolytic capacitor, 5mm	
C3	1u	Electrolytic capacitor, 5mm	
C4	1n	Film capacitor, 7.2 x 2.5mm	
C5	4n7	Film capacitor, 7.2 x 2.5mm	
C6	10u	Electrolytic capacitor, 5mm	
C100	10u	Electrolytic capacitor, 5mm	
C101	10u	Electrolytic capacitor, 5mm	
D1	1N4148	Signal diode, DO-35	
D2	1N4148	Signal diode, DO-35	
D3	1N4148	Signal diode, DO-35	
D4	1N4148	Signal diode, DO-35	
D100	1N4148	Signal diode, DO-35	
IC1	RC4558P	Dual op-amp, DIP8	
LEVEL	B50K	16mm right-angle PCB mount pot	
TONE	B50K	16mm right-angle PCB mount pot	
GAIN	B50K	16mm right-angle PCB mount pot	

Jackpot Overdrive

Schematic Diagram



Jackpot Overdrive

Wiring Diagram



Jackpot Overdrive

Drill Template
125B Enclosure

