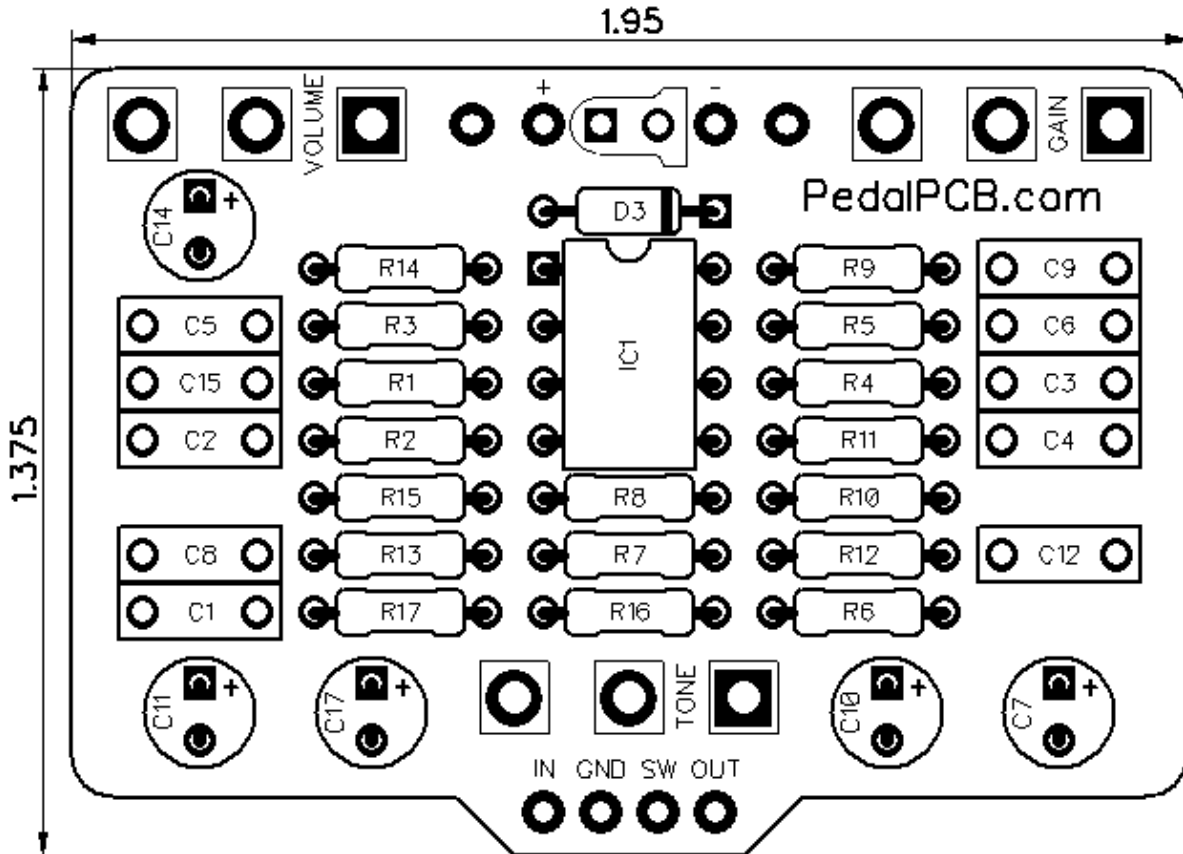




PedalPCB

Ionosphere

Revision 06.23.18



Controls

- **Volume** - Controls the overall output volume
- **Tone** - Adjusts the tone from warm to bright
- **Gain** - Controls the amount of distortion

All trademarks and registered trademarks are the property of their respective owners. The company, product, and service names used in this web site are for identification purposes only. Use of these names, logos, and brands does not imply endorsement.

RESISTORS

R1 1K
R2 1M
R3 1K
R4 10K
R5 1M
R6 1K
R7 100
R8 10K
R9 4K7
R10 22K
R11 22K
R12 47K
R13 47K
R14 68
R15 15K
R16 4K7
R17 1M

POTENTIOMETERS

VOLUME B100K
TONE B100K
GAIN B100K

CAPACITORS

C1 22n
C2 1n
C3 220n
C4 100n
C5 180n
C6 100p
C7 2u2
C8 1n
C9 22n
C10 100u
C11 47u
C12 10n
C14 2u2
C15 15n
C17 1u

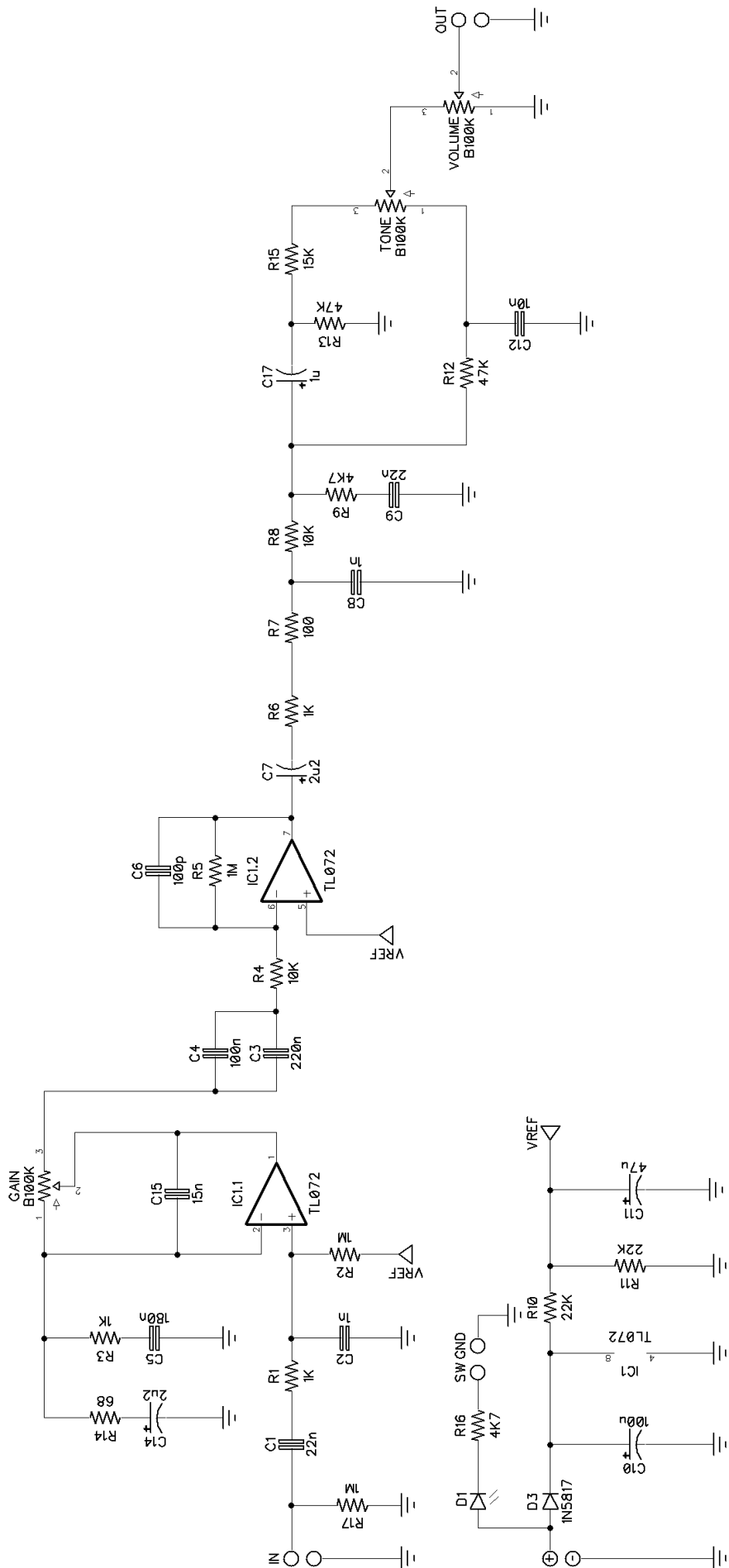
INTEGRATED CIRCUITS

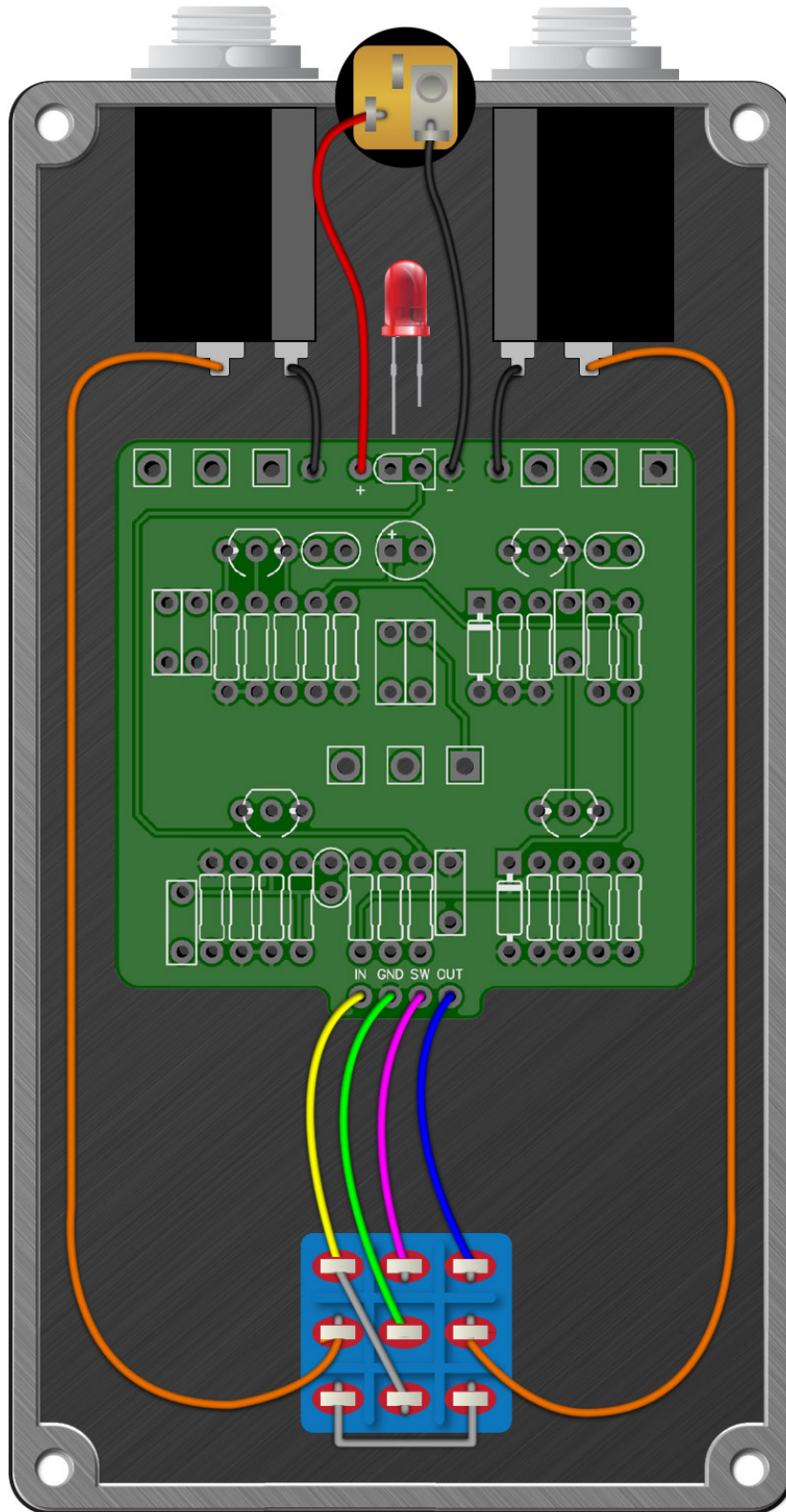
IC1 TL072

DIODES

D1 Indicator LED
D3 1N5817

 **PedalPCB**
Ionosphere





Ionosphere

Drill Template
125B enclosure with top mounted jacks

