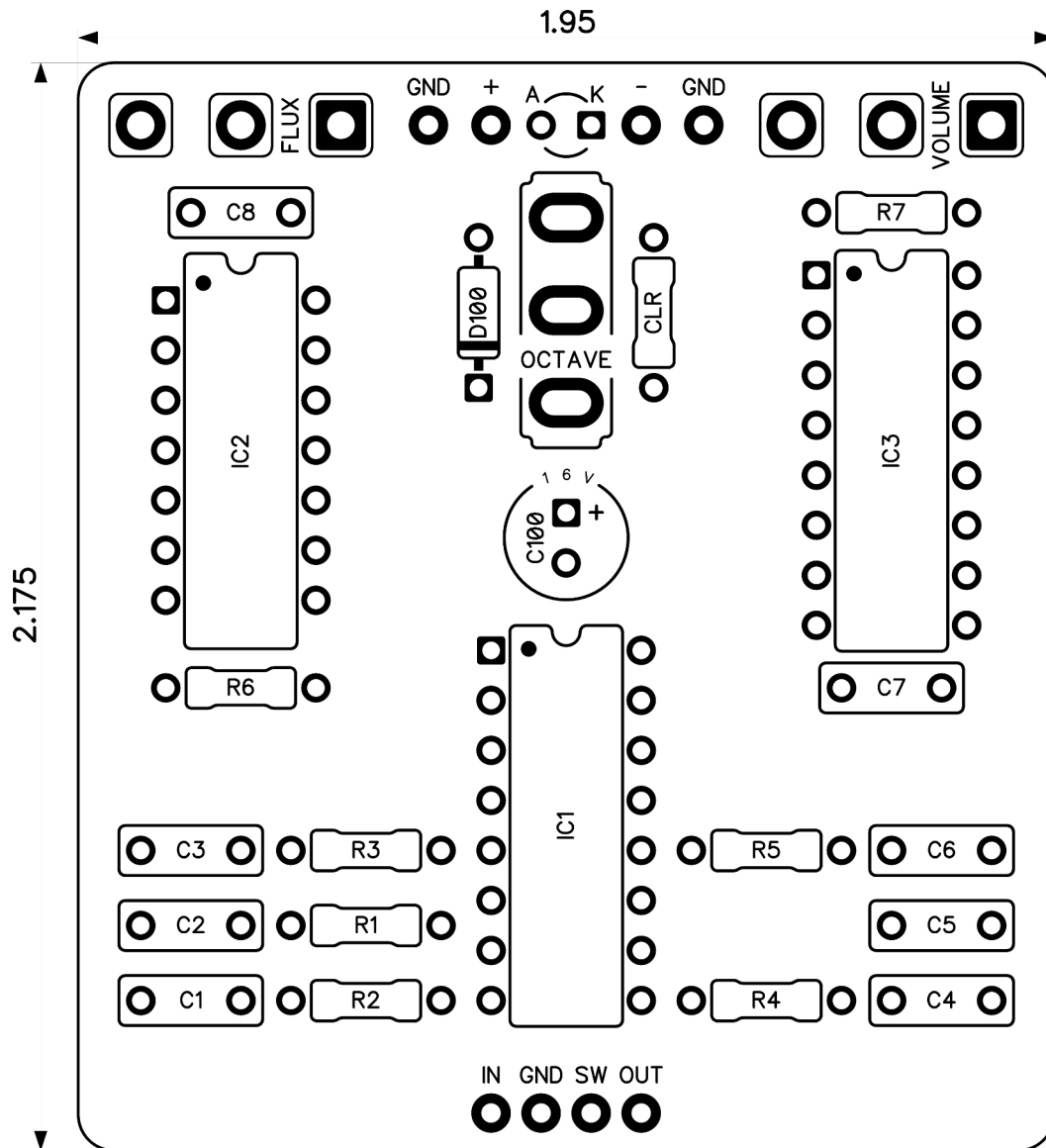


# PedalPCB

## Insurgent Octave Fuzz

Revised 12/18/23



### CONTROLS AND FEATURES

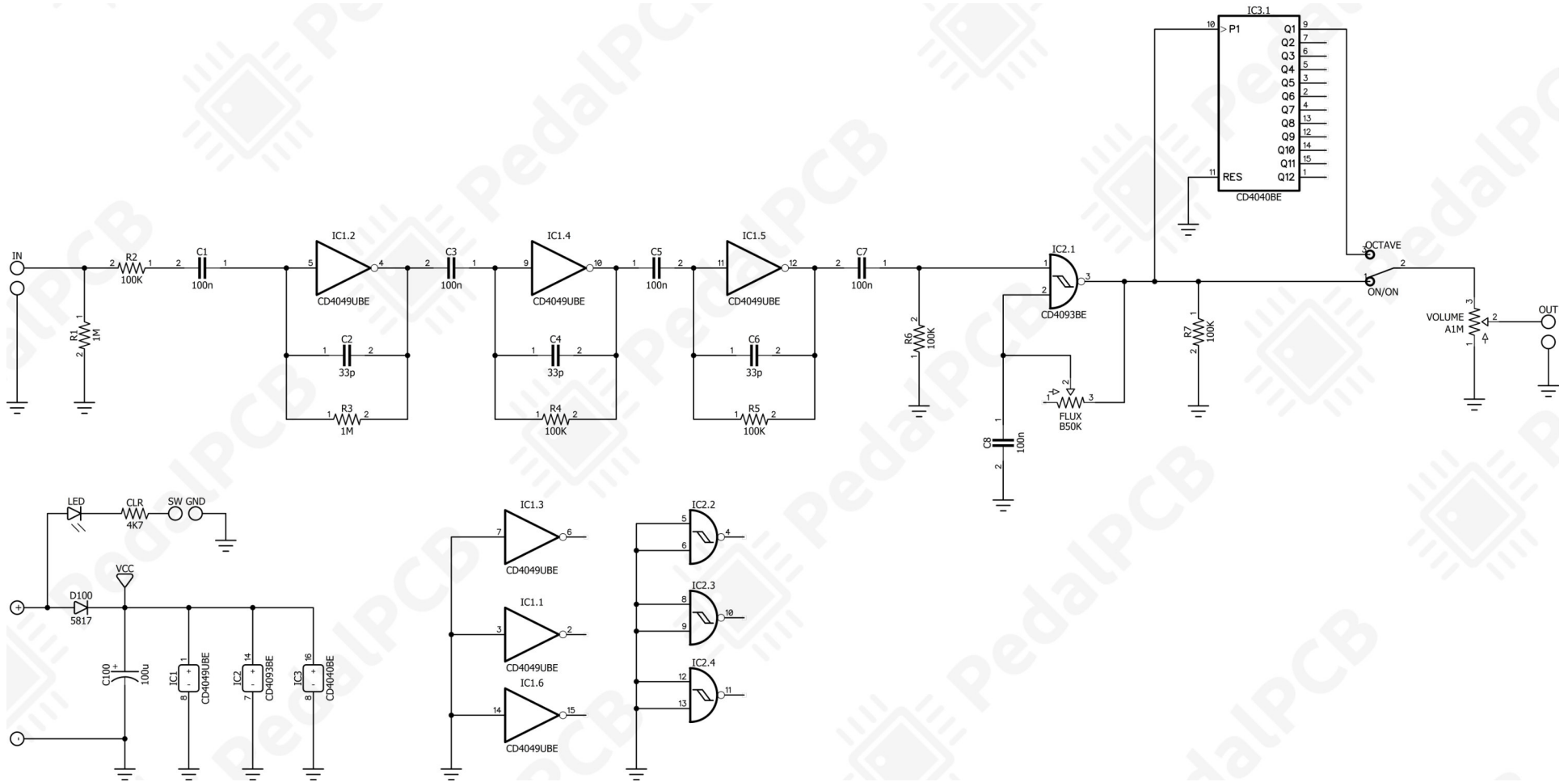
- Volume
- Flux
- Octave (Toggle switch)

All trademarks and registered trademarks are the property of their respective owners. The company, product, and service names used in this web site are for identification purposes only. Use of these names, logos, and brands does not imply endorsement.



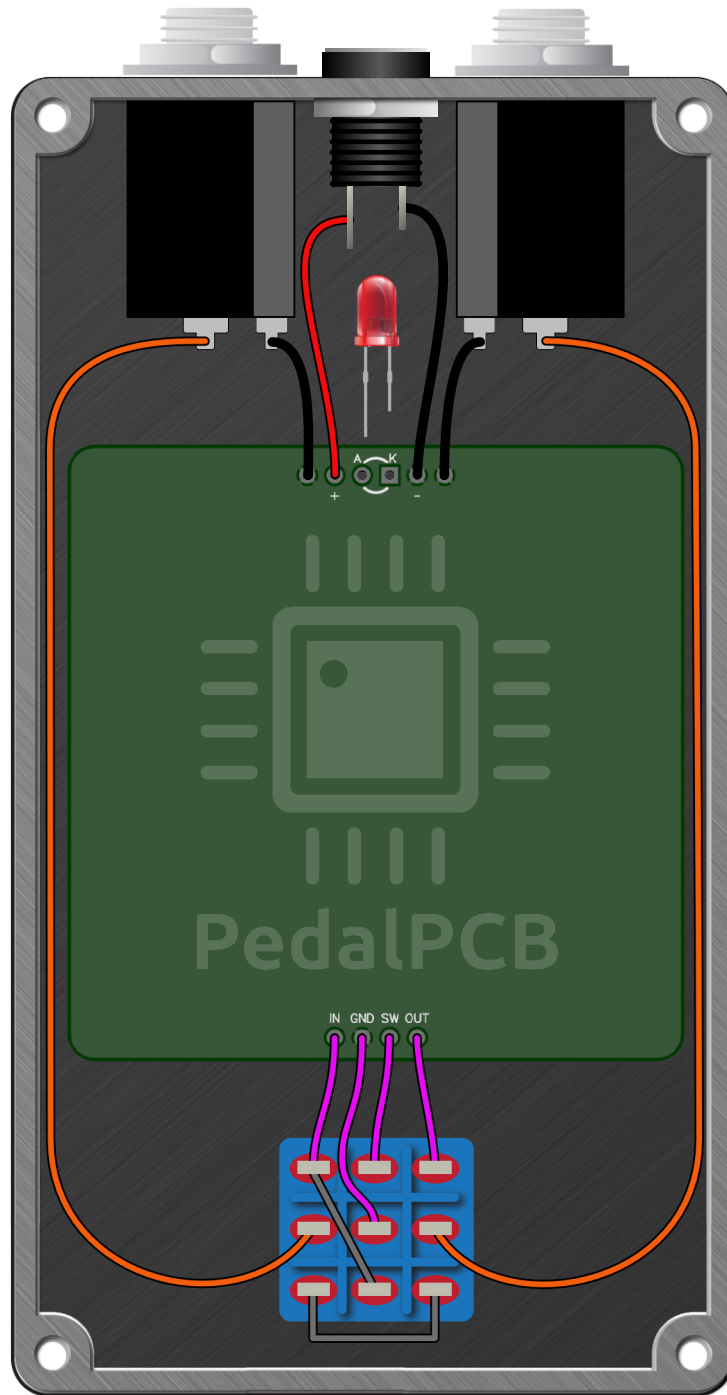
# Insurgent Octave Fuzz

Schematic Diagram



# Insurgent Octave Fuzz

Wiring Diagram



# Insurgent Octave Fuzz

Drill Template  
125B Enclosure

