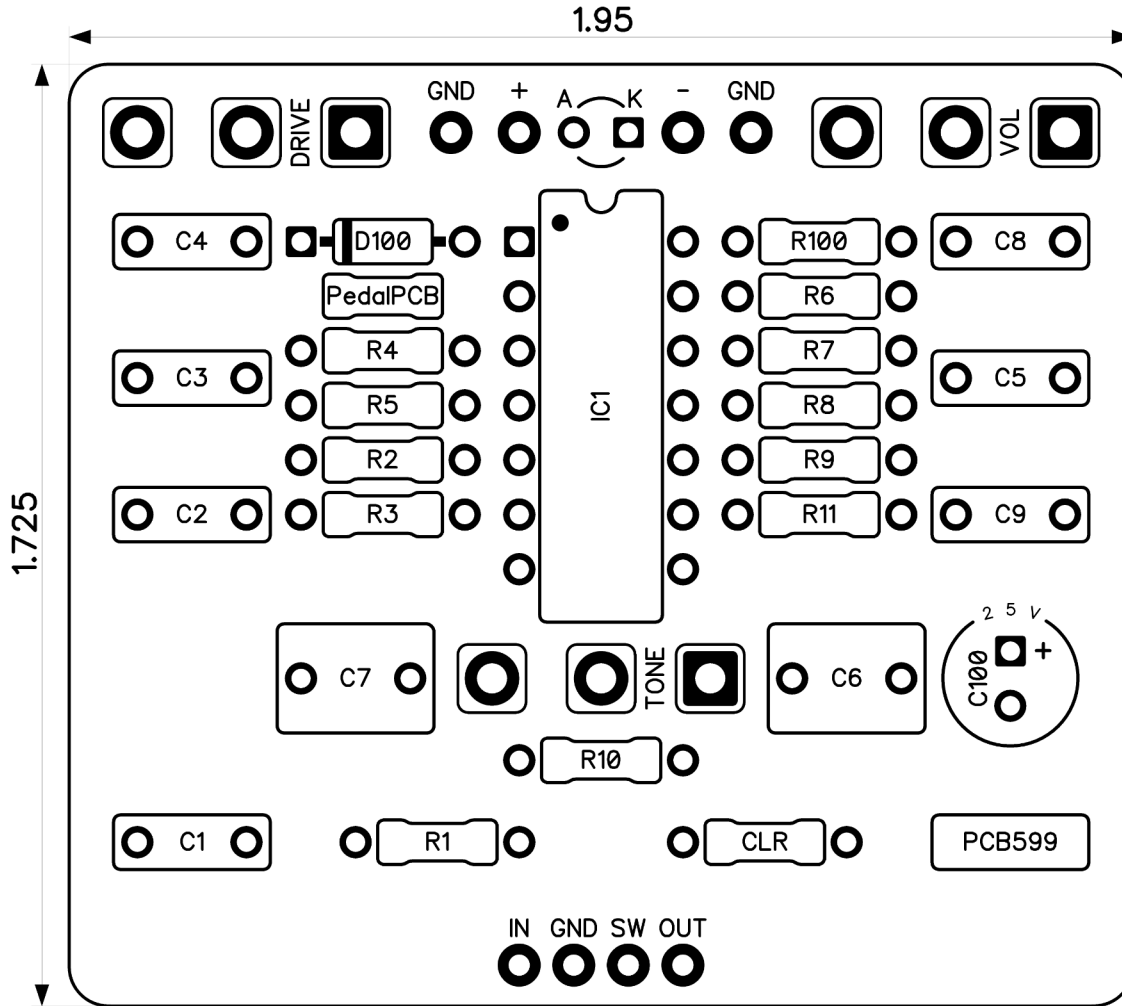




Infrared Overdrive

Revised 8/12/23



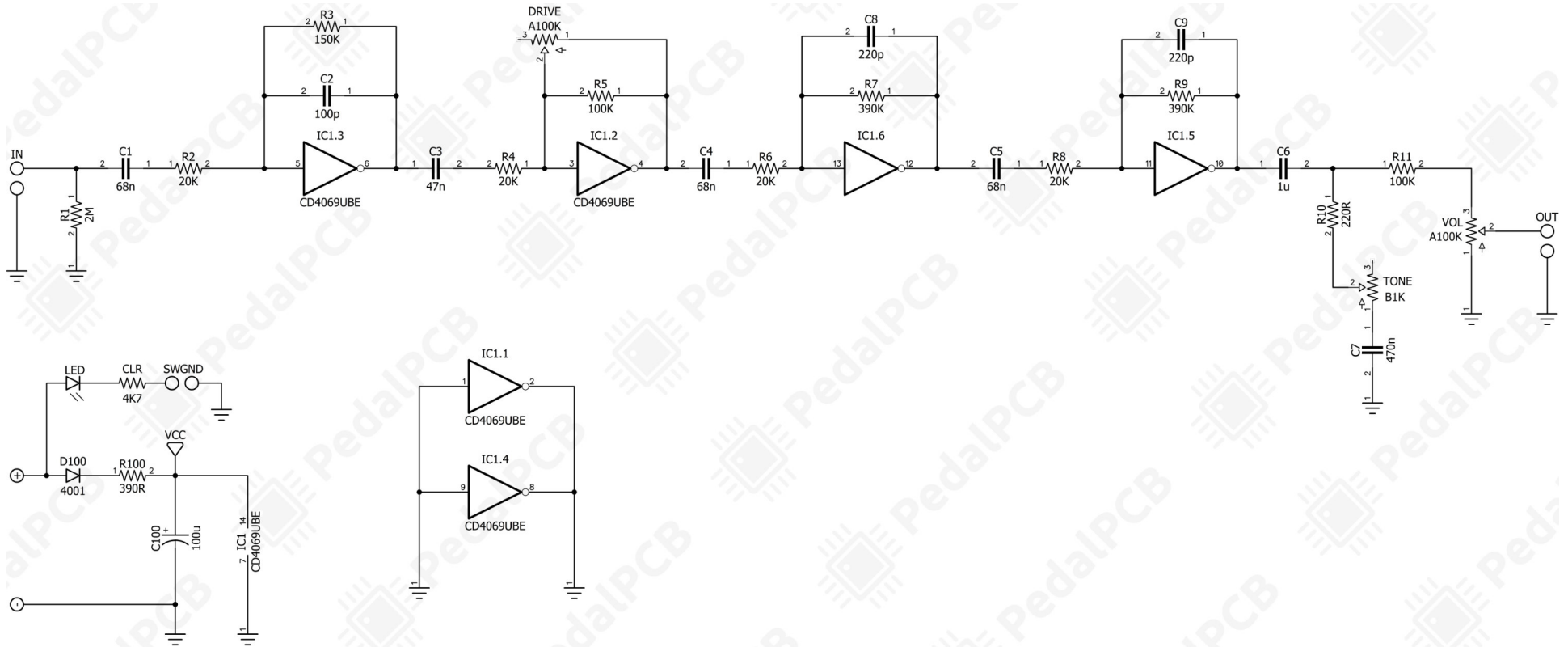
CONTROLS AND FEATURES

- Volume
- Tone
- Drive

All trademarks and registered trademarks are the property of their respective owners. The company, product, and service names used in this web site are for identification purposes only. Use of these names, logos, and brands does not imply endorsement.

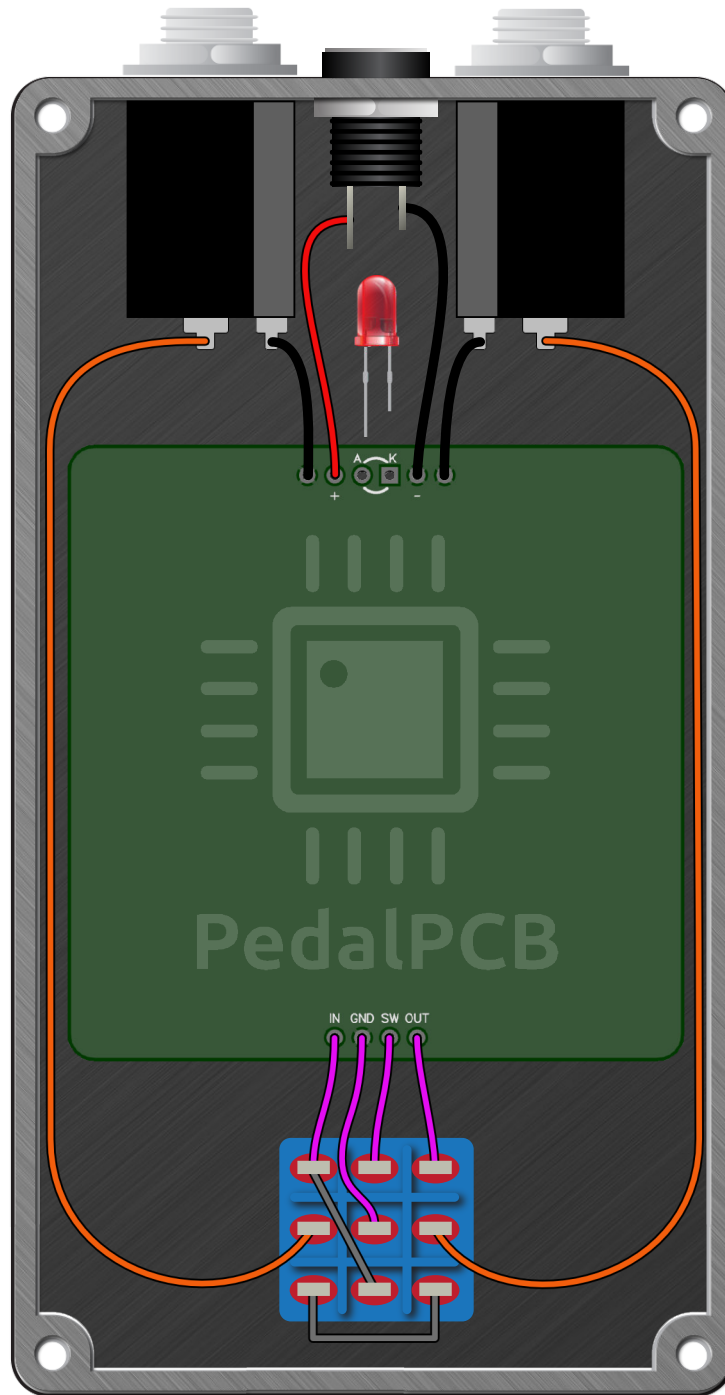
Infrared Overdrive

Schematic Diagram



Infrared Overdrive

Wiring Diagram



Infrared Overdrive

Drill Template
125B Enclosure

