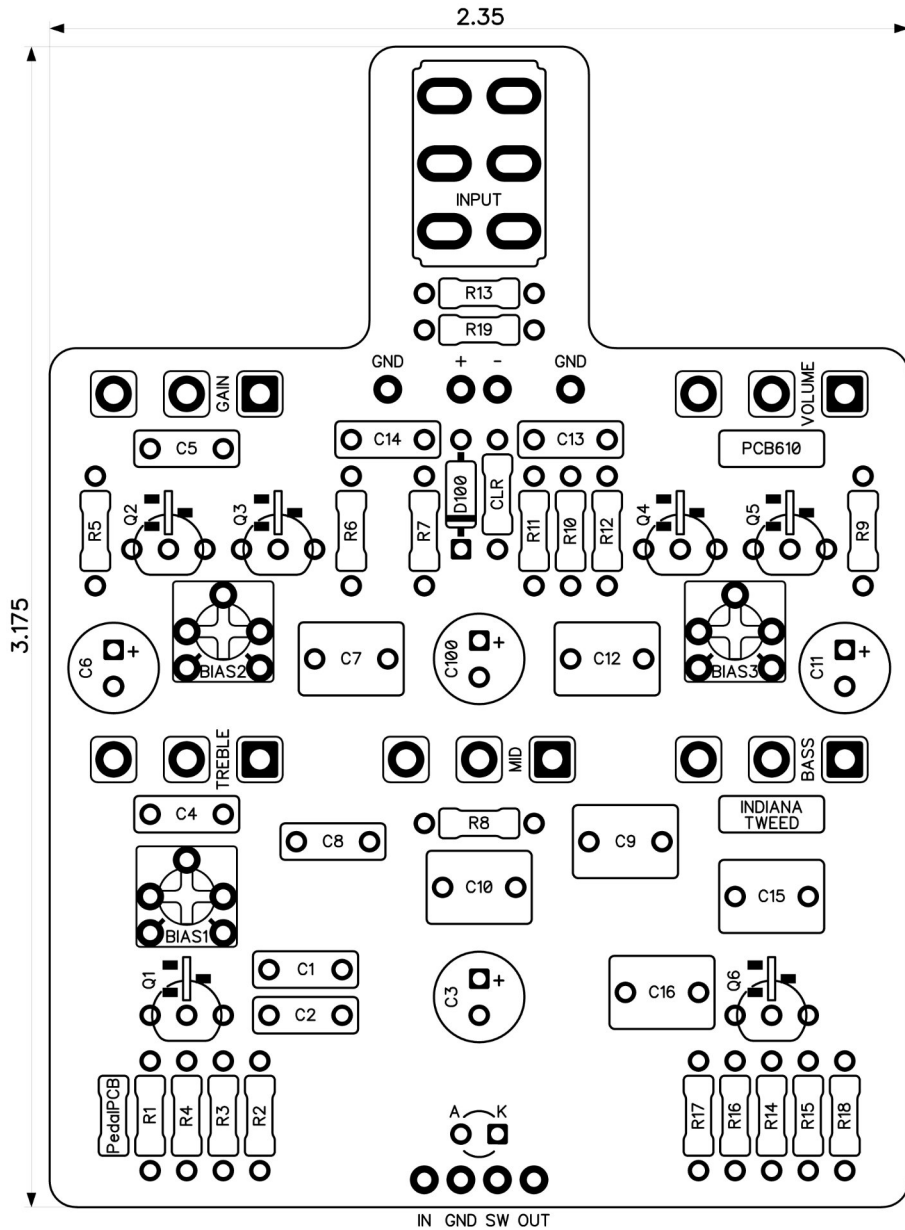


PedalPCB

Indiana Tweed Overdrive

Revised 12/31/23



CONTROLS AND FEATURES

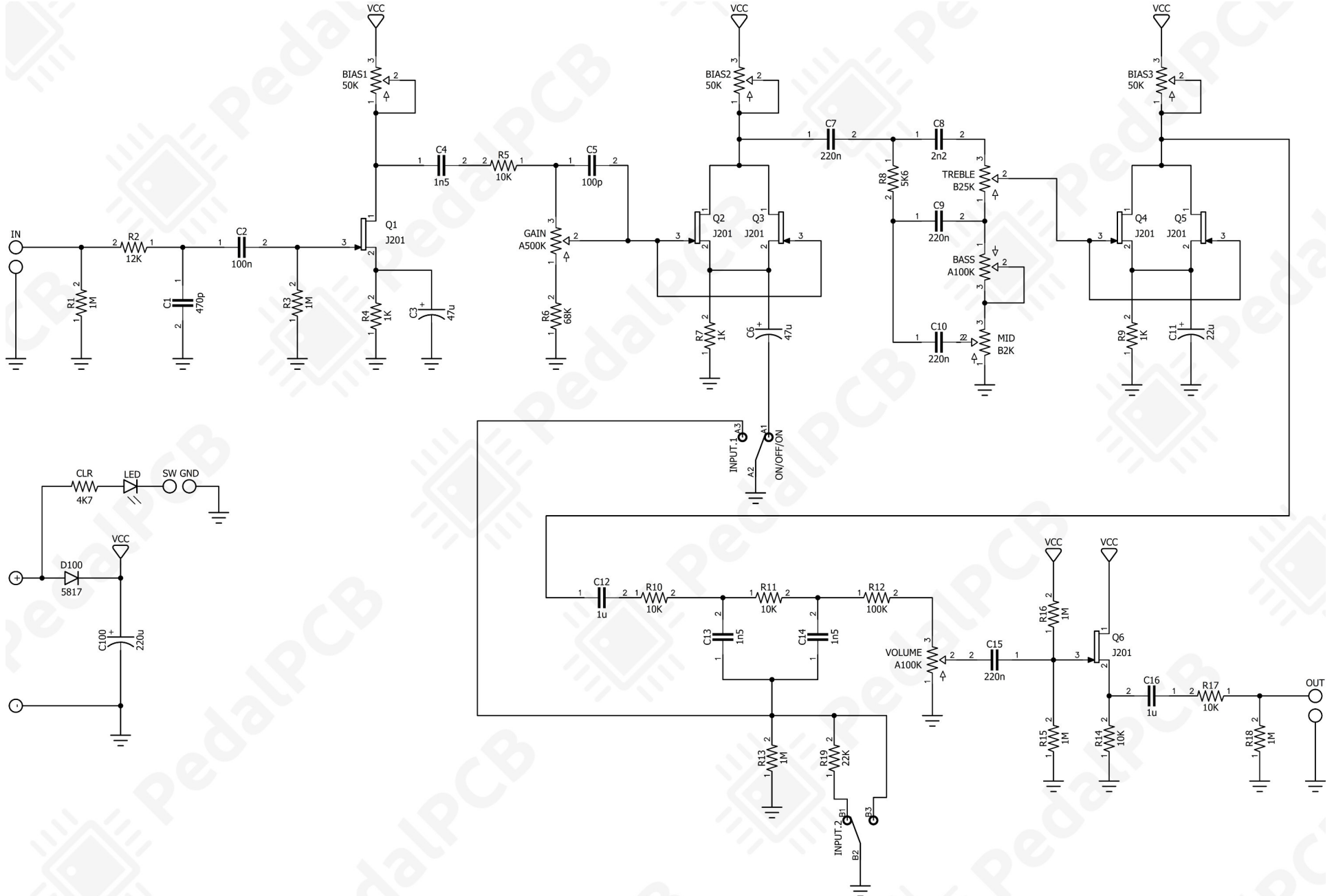
- Volume
- Gain
- Bass
- Mid
- Treble
- Input (Toggle switch)

All trademarks and registered trademarks are the property of their respective owners. The company, product, and service names used in this web site are for identification purposes only. Use of these names, logos, and brands does not imply endorsement.

LOCATION	VALUE	TYPE	NOTES
R1	1M	Resistor, 1/4W	
R2	12K	Resistor, 1/4W	
R3	1M	Resistor, 1/4W	
R4	1K	Resistor, 1/4W	
R5	10K	Resistor, 1/4W	
R6	68K	Resistor, 1/4W	
R7	1K	Resistor, 1/4W	
R8	5K6	Resistor, 1/4W	
R9	1K	Resistor, 1/4W	
R10	10K	Resistor, 1/4W	
R11	10K	Resistor, 1/4W	
R12	100K	Resistor, 1/4W	
R13	1M	Resistor, 1/4W	
R14	10K	Resistor, 1/4W	
R15	1M	Resistor, 1/4W	
R16	1M	Resistor, 1/4W	
R17	10K	Resistor, 1/4W	
R18	1M	Resistor, 1/4W	
R19	22K	Resistor, 1/4W	
CLR	4K7	Resistor, 1/4W	* LED current limiting resistor
C1	470p	Ceramic capacitor	
C2	100n	Film capacitor, 7.2 x 2.5mm	
C3	47u	Electrolytic capacitor, 5mm	
C4	1n5	Film capacitor, 7.2 x 2.5mm	
C5	100p	Ceramic capacitor	
C6	47u	Electrolytic capacitor, 5mm	
C7	220n	Film capacitor, 7.2 x 5.0mm	
C8	2n2	Film capacitor, 7.2 x 2.5mm	
C9	220n	Film capacitor, 7.2 x 5.0mm	
C10	220n	Film capacitor, 7.2 x 5.0mm	
C11	22u	Electrolytic capacitor, 5mm	
C12	1u	Film capacitor, 7.2 x 5.0mm	
C13	1n5	Film capacitor, 7.2 x 2.5mm	
C14	1n5	Film capacitor, 7.2 x 2.5mm	
C15	220n	Film capacitor, 7.2 x 5.0mm	
C16	1u	Film capacitor, 7.2 x 5.0mm	
C100	220u	Electrolytic capacitor, 5mm	
D100	1N5817	Schottky diode, DO-41	
Q1	J201	JFET transistor, N-channel	
Q2	J201	JFET transistor, N-channel	
Q3	J201	JFET transistor, N-channel	
Q4	J201	JFET transistor, N-channel	
Q5	J201	JFET transistor, N-channel	
Q6	J201	JFET transistor, N-channel	
BIAS1	50K	Trimmer potentiometer, 3362P type	
BIAS2	50K	Trimmer potentiometer, 3362P type	
BIAS3	50K	Trimmer potentiometer, 3362P type	
VOLUME	A100K	16mm right-angle PCB mount pot	
GAIN	A500K	16mm right-angle PCB mount pot	
BASS	A100K	16mm right-angle PCB mount pot	
MID	B2K	16mm right-angle PCB mount pot	
TREBLE	B25K	16mm right-angle PCB mount pot	
INPUT	ON/OFF/ON	Toggle switch, DPDT	3-position (ON/OFF/ON)

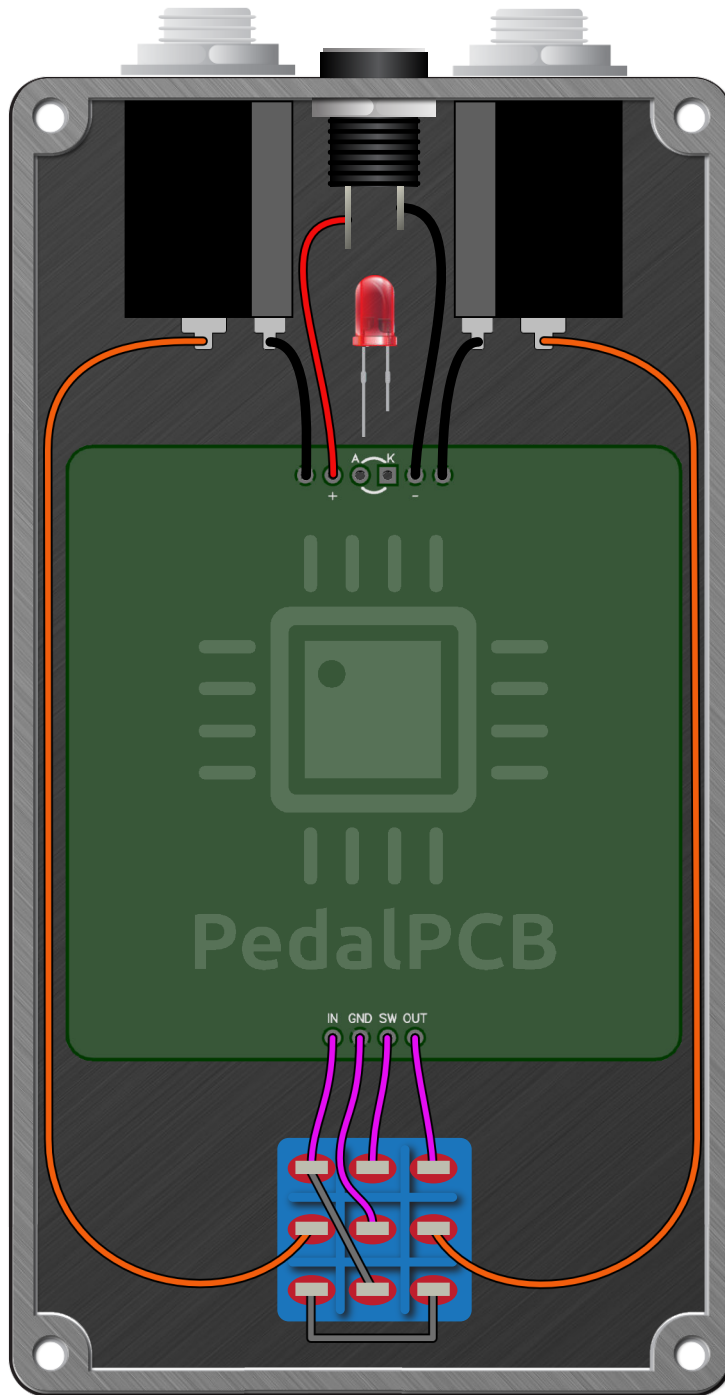
Indiana Tweed Overdrive

Schematic Diagram



Indiana Tweed Overdrive

Wiring Diagram



Indiana Tweed Overdrive

Drill Template
125B Enclosure

