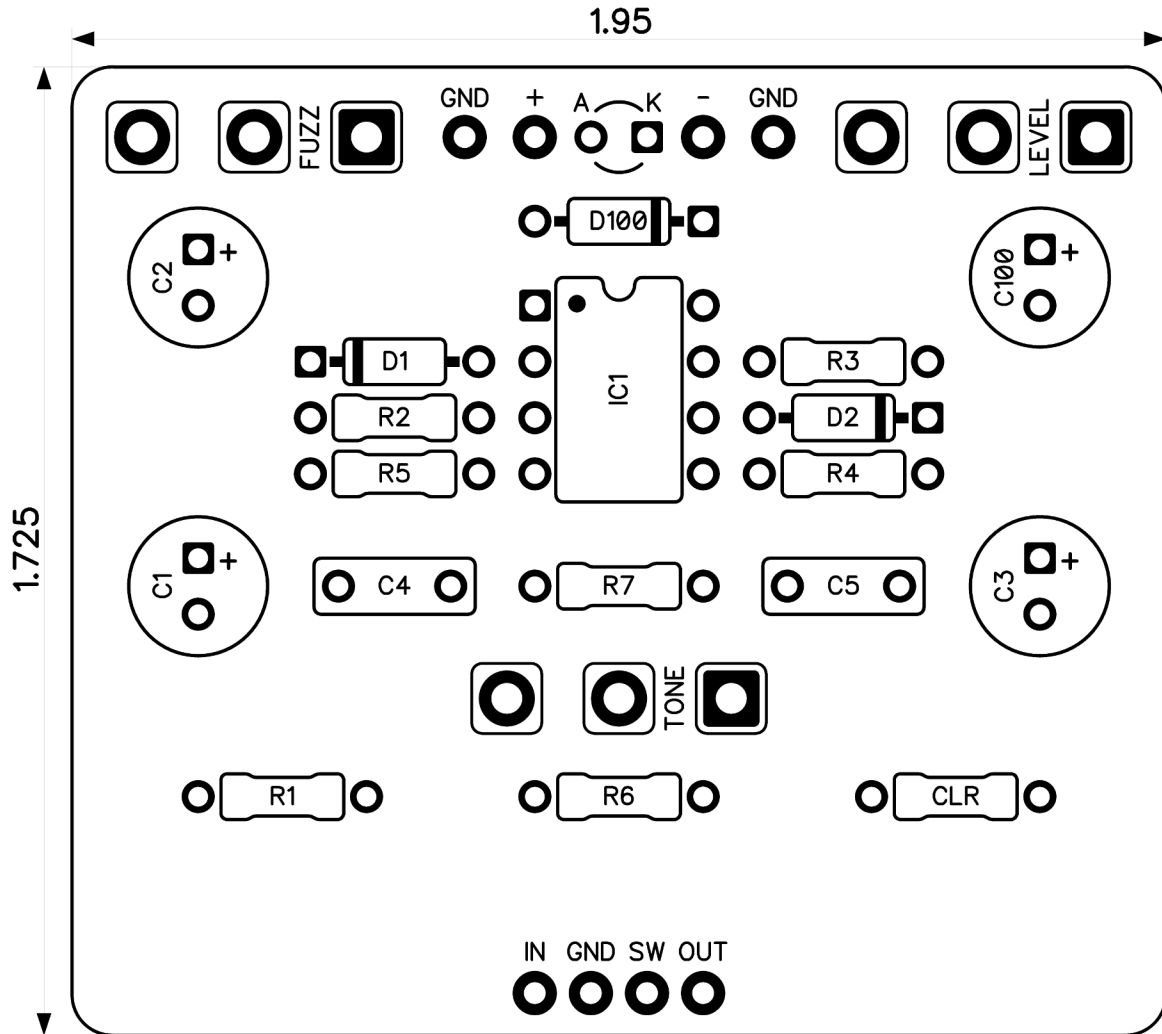


# PedalPCB

## Ice Vendor Distortion

Revised 12/29/23



### CONTROLS AND FEATURES

- Level
- Tone
- Fuzz

All trademarks and registered trademarks are the property of their respective owners. The company, product, and service names used in this web site are for identification purposes only. Use of these names, logos, and brands does not imply endorsement.

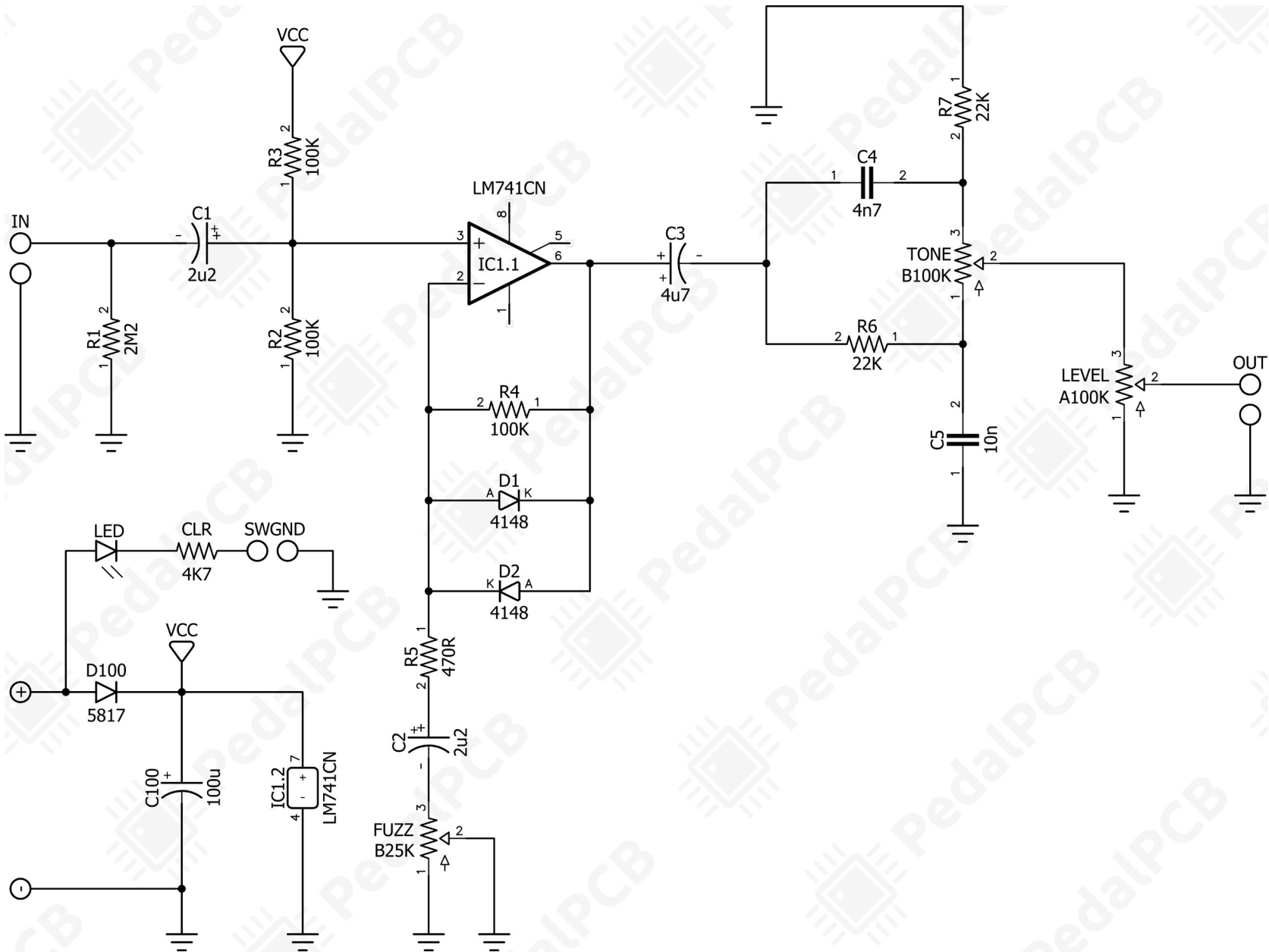
# Ice Vendor Distortion

Parts List (Page 1 of 1)

LOCATION	VALUE	TYPE	NOTES
R1	2M2	Resistor, 1/4W	
R2	100K	Resistor, 1/4W	
R3	100K	Resistor, 1/4W	
R4	100K	Resistor, 1/4W	
R5	470R	Resistor, 1/4W	
R6	22K	Resistor, 1/4W	
R7	22K	Resistor, 1/4W	
CLR	4K7	Resistor, 1/4W	* LED current limiting resistor
C1	2u2	Electrolytic capacitor, 5mm	
C2	2u2	Electrolytic capacitor, 5mm	
C3	4u7	Electrolytic capacitor, 5mm	
C4	4n7	Film capacitor, 7.2 x 2.5mm	
C5	10n	Film capacitor, 7.2 x 2.5mm	
C100	100u	Electrolytic capacitor, 5mm	
D1	1N4148	Signal diode, DO-35	
D2	1N4148	Signal diode, DO-35	
D100	1N5817	Schottky diode, DO-41	
IC1	LM741CN	Single op-amp, DIP8	
LEVEL	A100K	16mm right-angle PCB mount pot	
FUZZ	B25K	16mm right-angle PCB mount pot	
TONE	B100K	16mm right-angle PCB mount pot	

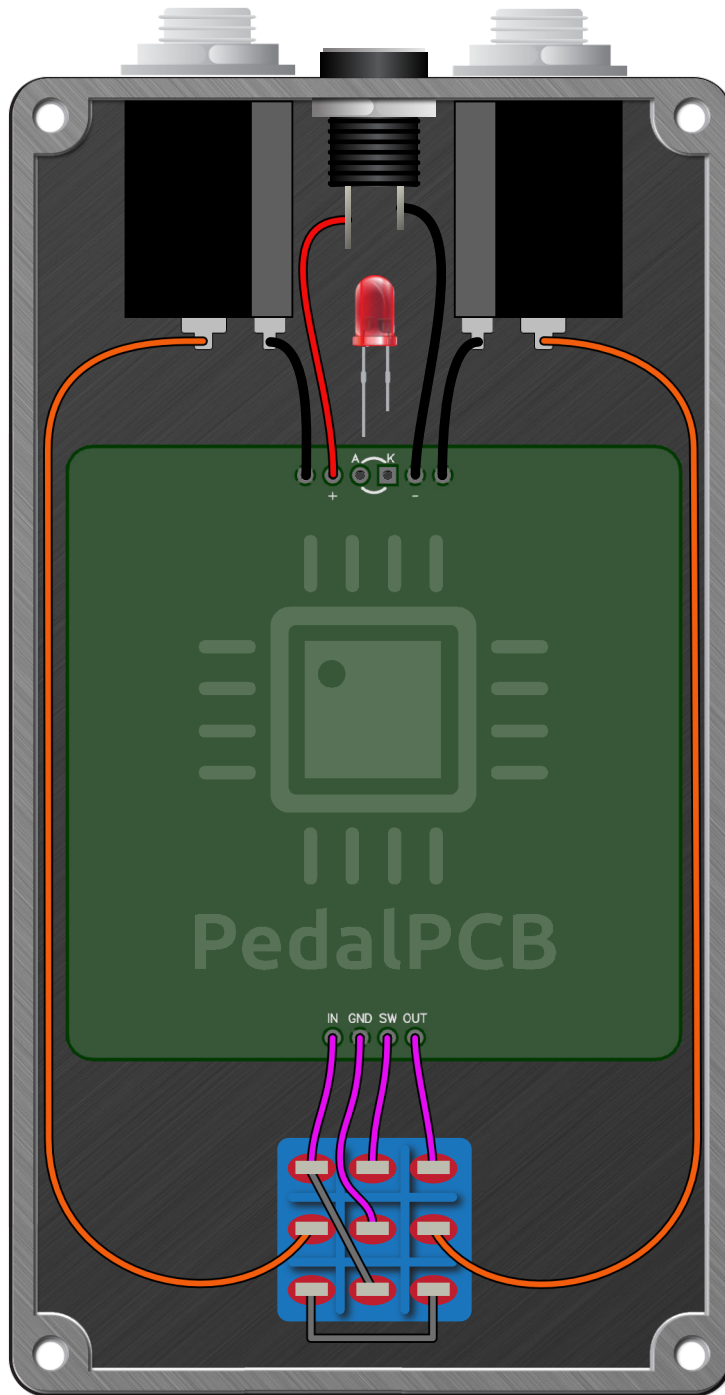
# Ice Vendor Distortion

Schematic Diagram



# Ice Vendor Distortion

## Wiring Diagram



# Ice Vendor Distortion

Drill Template  
125B Enclosure

