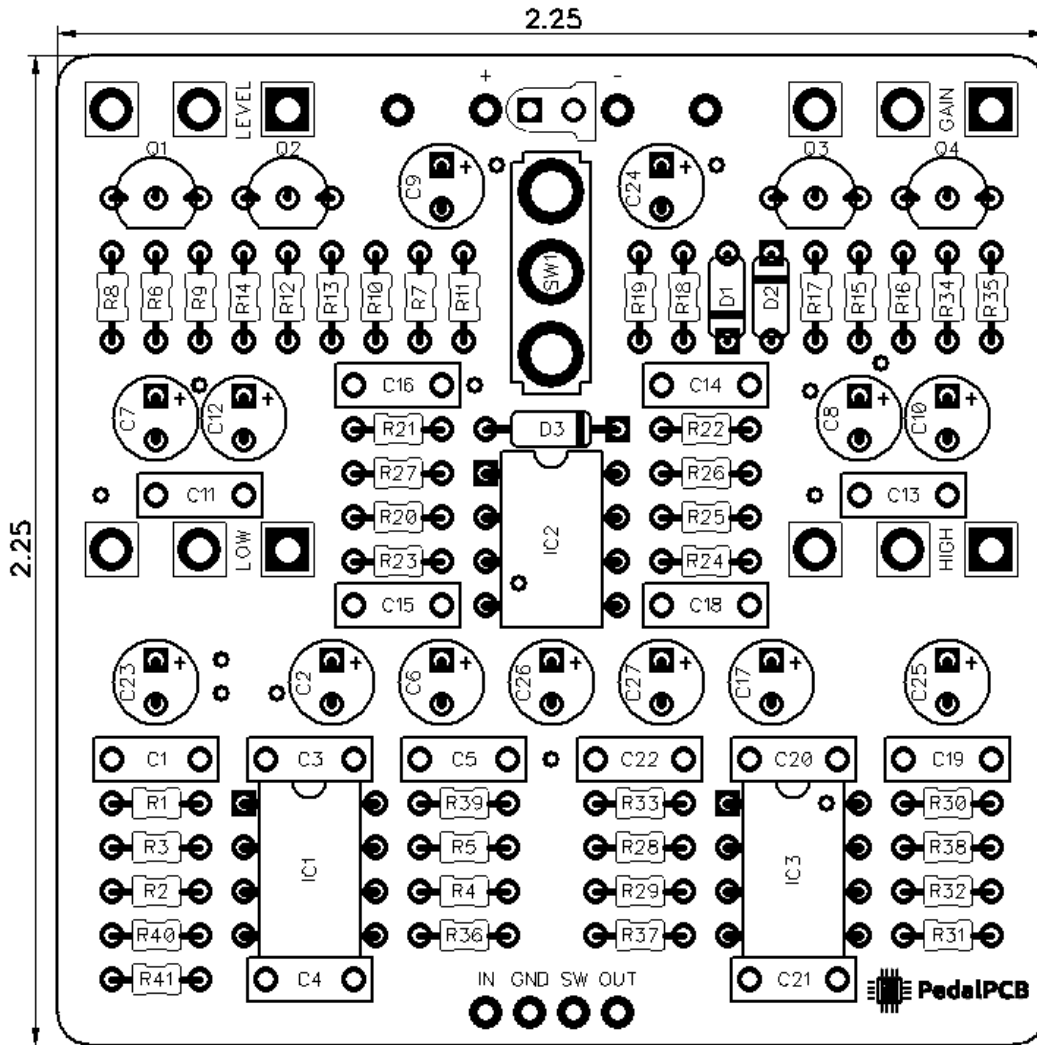


# PedalPCB

## Hyped Fuzz

Revision 08.14.18



### Controls

- **Level** - Controls the overall output volume
- **Gain** - Controls the amount of fuzz
- **Treble** - Boosts/cuts treble frequencies
- **Bass** - Boosts/cuts bass frequencies
- **Mode** - Selects between Fuzz I / Fuzz II

*All trademarks and registered trademarks are the property of their respective owners. The company, product, and service names used in this web site are for identification purposes only. Use of these names, logos, and brands does not imply endorsement.*

**RESISTORS (1/8W)**

R1	10K
R2	1M
R3	1K5
R4	2K2
R5	10K
R6	220K
R7	100K
R8	4K7
R9	4K7
R10	10K
R11	10K
R12	100K
R13	27K
R14	10K
R15	2K9
R16	100K
R17	27K
R18	10K
R19	10K
R20	10K
R21	10K
R22	10K
R23	100K
R24	10K
R25	120K
R26	1K
R27	1K
R28	100K
R29	56K
R30	3K3
R31	100K
R32	3K3
R33	10K
R34	100K
R35	10K
R36	100K
R37	1K
R38	4K7
R39	10K
R40	10K
R41	1M

**CAPACITORS**

C1	47n
C2	2u2
C3	100n
C4	47p
C5	33n
C6	10u
C7	1u
C8	1u
C9	47u
C10	1u
C11	15n
C12	1u
C13	1n
C14	47n
C15	47p
C16	4n7
C17	1u **
C18	10p
C19	15n
C20	150n
C21	47n
C22	47p
C23	10u
C24	1u
C25	10u
C26	100u
C27	47u

**\*\* C17 must be installed backwards**

**INTEGRATED CIRCUITS**

IC1	JRC4558
IC2	JRC4558
IC3	JRC4558

**TRANSISTORS**

Q1	BC549C
Q2	BC549C
Q3	BC549C
Q4	BC549C

**DIODES**

D1	1N914
D2	1N914
D3	1N5817

**POTENTIOMETERS**

LEVEL	A50K
GAIN	A50K
HIGH	B50K
LOW	B50K

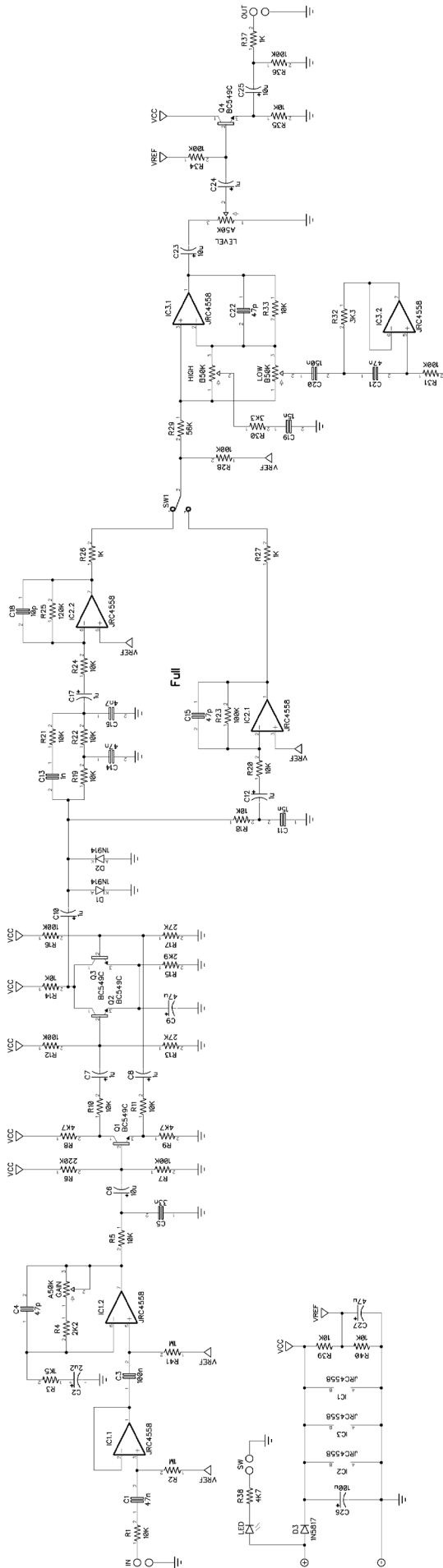
**SWITCHES**

MODE	SPDT Toggle (On/On)
------	---------------------



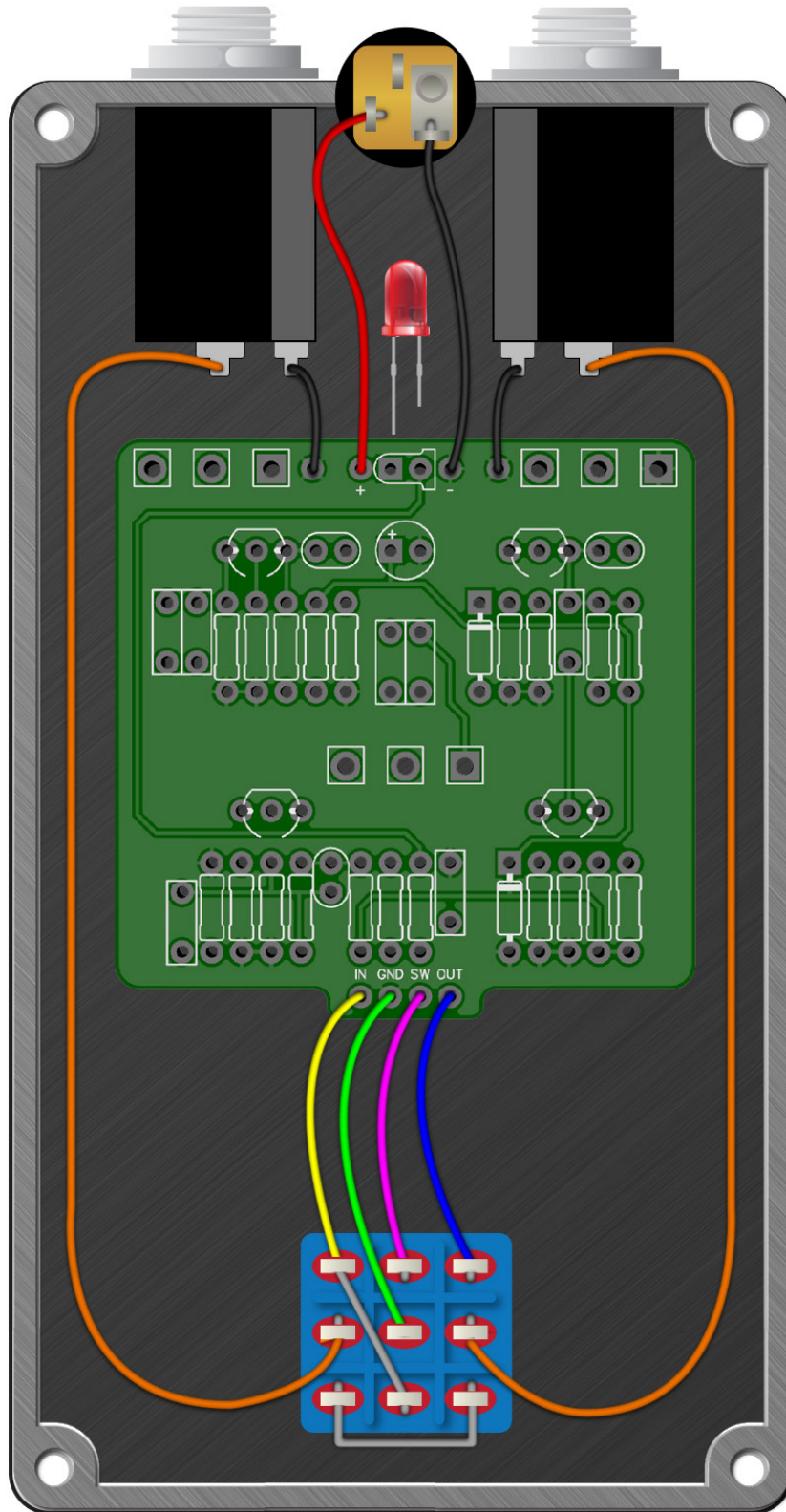
# Hyped Fuzz

Scoped



# Hyped Fuzz

Wiring Diagram



# Hyped Fuzz

Drill Template  
125B enclosure with top mounted jacks

