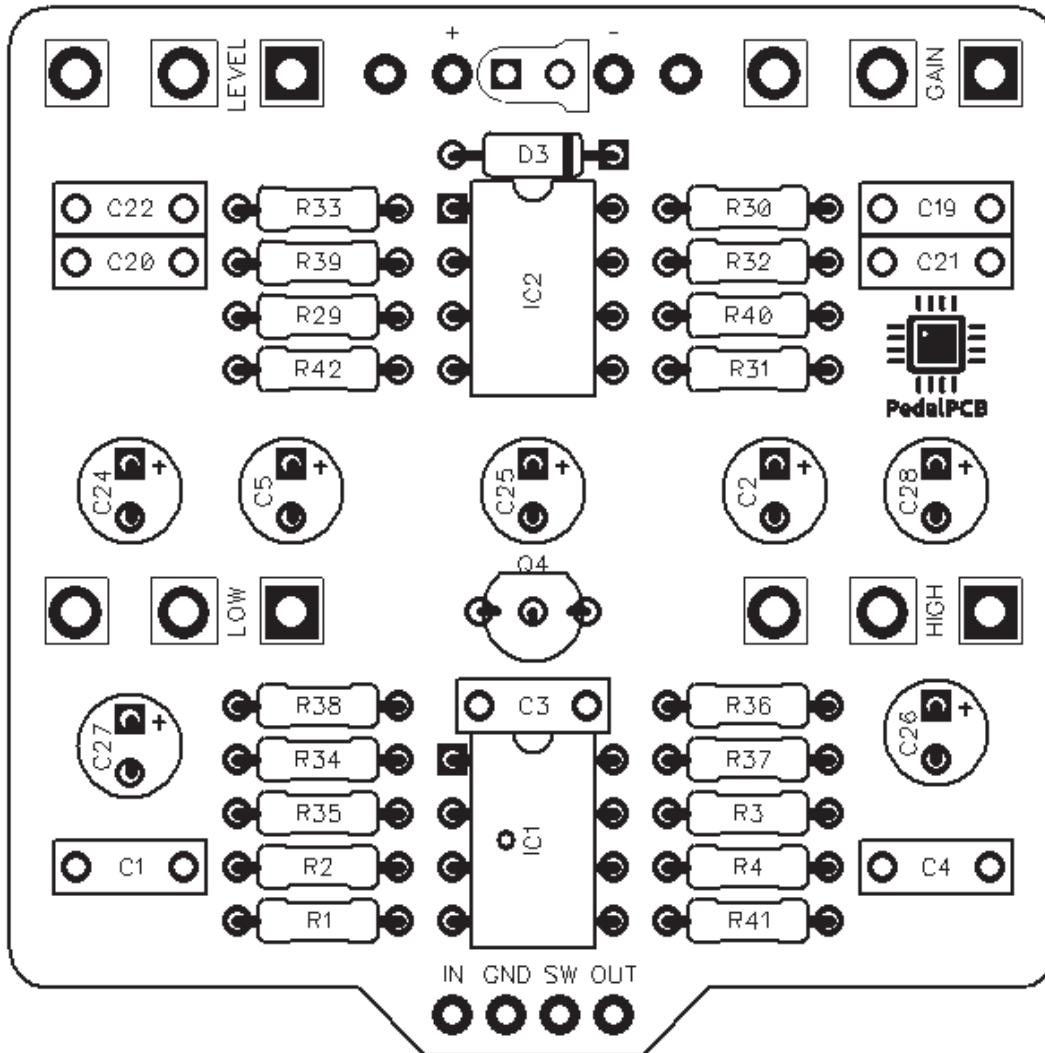


PedalPCB

Hyped Boost

Revision 12.24.19



Controls

- Level
- Gain
- High
- Low

All trademarks and registered trademarks are the property of their respective owners. The company, product, and service names used in this web site are for identification purposes only. Use of these names, logos, and brands does not imply endorsement.

Hyped Boost

Parts List

RESISTORS (1/4W)

R1 10K
R2 1M
R3 1K5
R4 2K2
R29 10K
R30 3K3
R31 100K
R32 3K3
R33 10K
R34 100K
R35 10K
R36 100K
R37 1K
R38 4K7
R39 10K
R40 10K
R41 1M
R42 100K

CAPACITORS

C1 47n
C2 2u2
C3 100n
C4 47p
C5 10u
C19 15n
C20 150n
C21 47n
C22 47p
C24 1u
C25 10u
C26 100u
C27 47u
C28 10u

INTEGRATED CIRCUITS

IC1 JRC4558
IC2 JRC4558

TRANSISTORS

Q4 BC549C

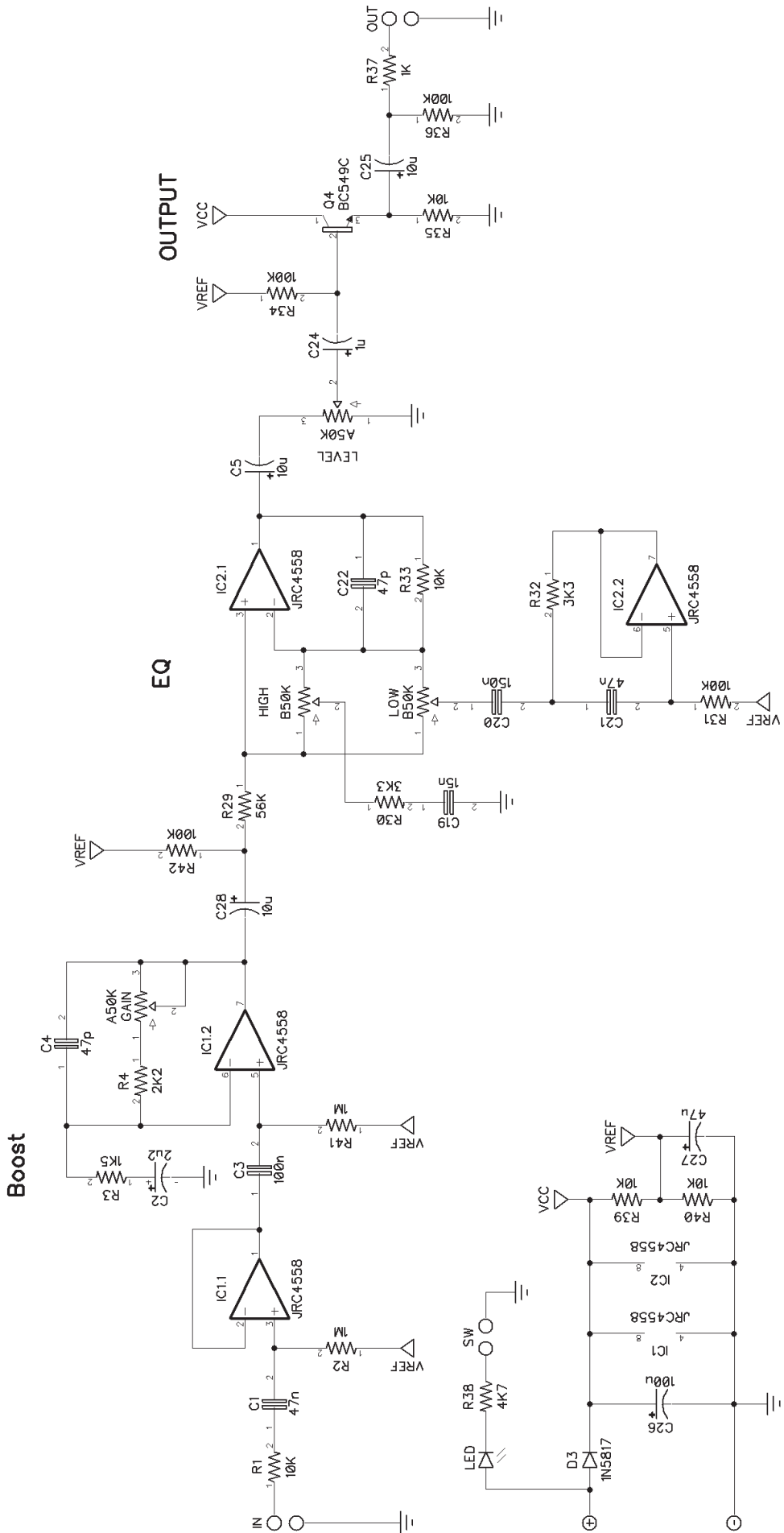
DIODES

D3 1N5817

POTENTIOMETERS

LEVEL A50K
GAIN A50K
HIGH B50K
LOW B50K

Hyped Boost



Hyped Boost

Wiring Diagram



Hyped Boost

Drill Template

125B enclosure with top mounted jacks

