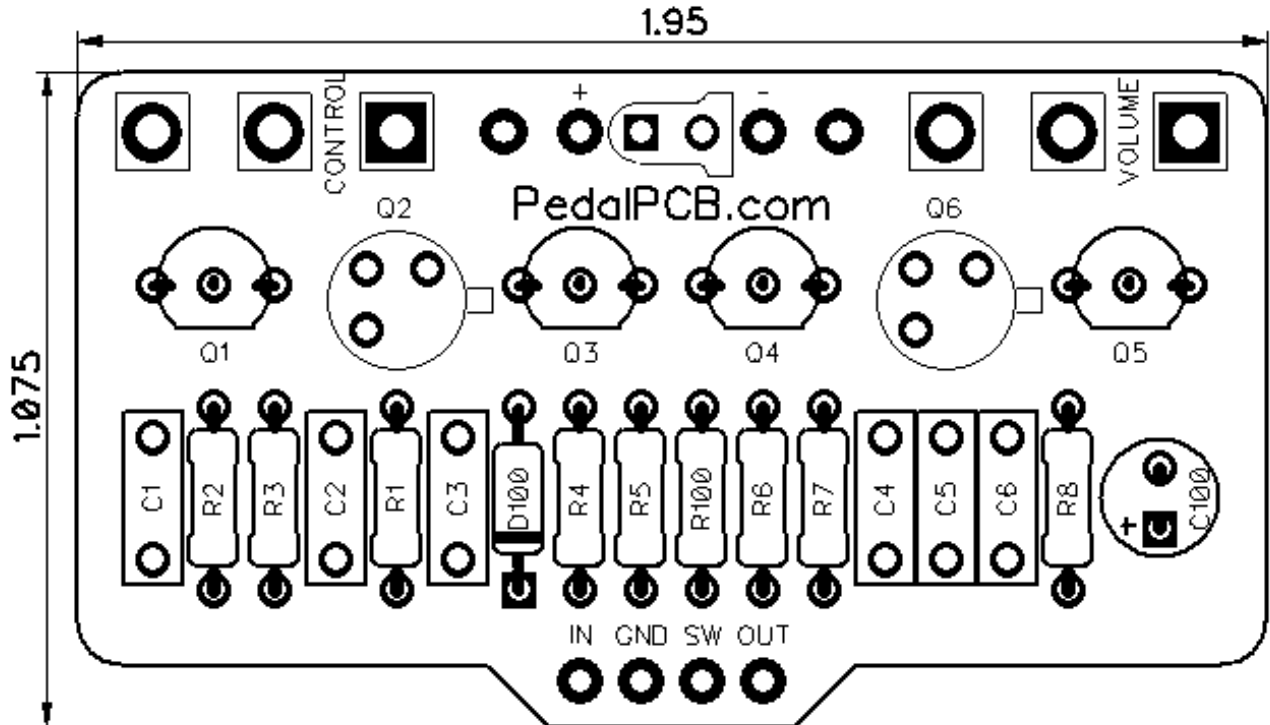


# PedalPCB

## Hyllian Fuzz

Revision 02.13.20



### Controls

- **Volume** - Controls the overall output volume
- **Control** - Controls the intensity of fuzz

All trademarks and registered trademarks are the property of their respective owners. The company, product, and service names used in this web site are for identification purposes only. Use of these names, logos, and brands does not imply endorsement.

# Hylvian Fuzz

## Parts List

**RESISTORS**

R1 1K  
R2 2M2  
R3 10K  
R4 2M2  
R5 10K  
R6 3M3  
R7 10K  
R8 10K  
R100 4K7

**CAPACITORS**

C1 100n  
C2 100n  
C3 100n  
C4 100n  
C5 100n  
C6 100n  
C100 47u

**TRANSISTORS**

Q1 MPSA18  
Q2 2N2907A  
Q3 MPSA18  
Q4 MPSA18  
Q5 MPSA18  
Q6 2N2222A

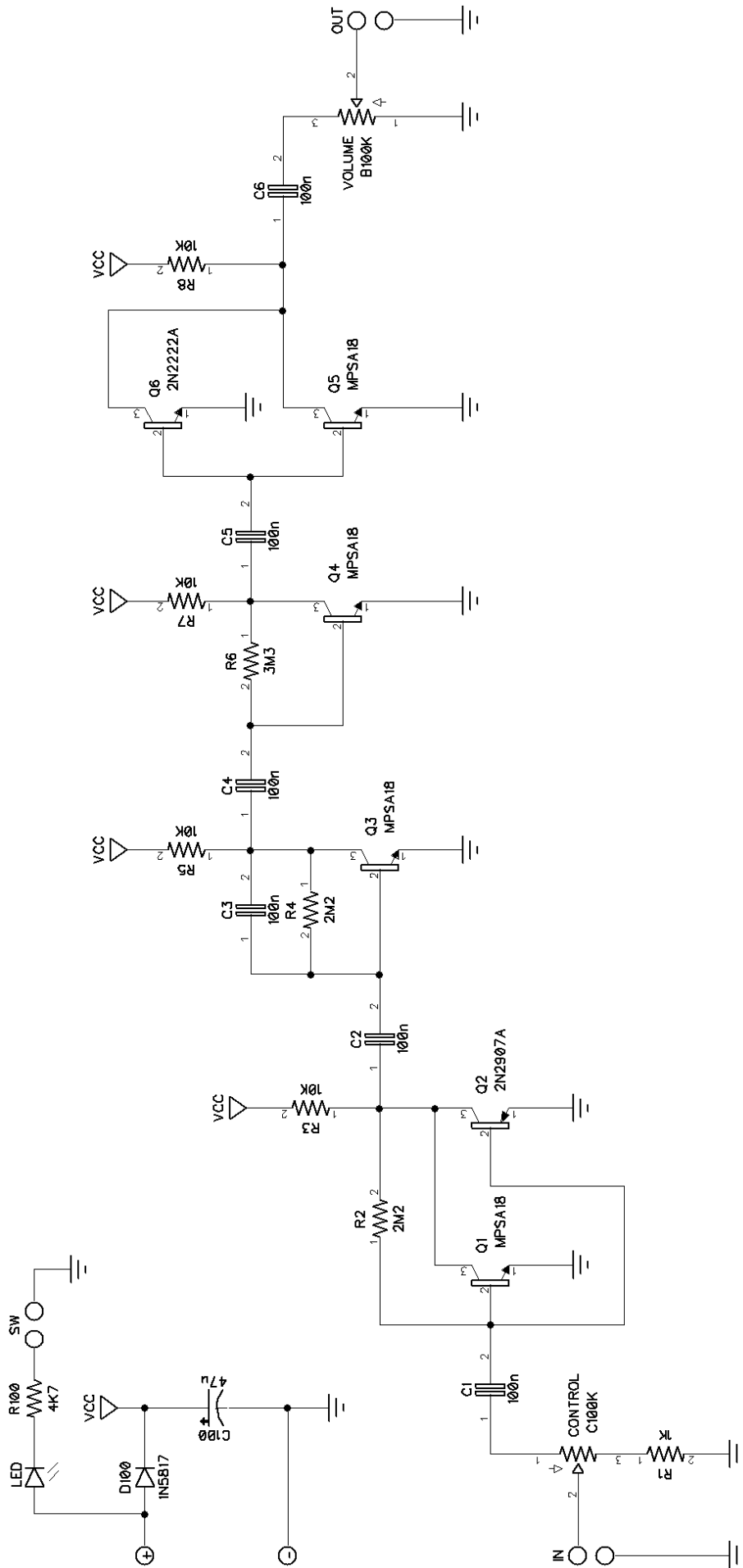
**DIODES**

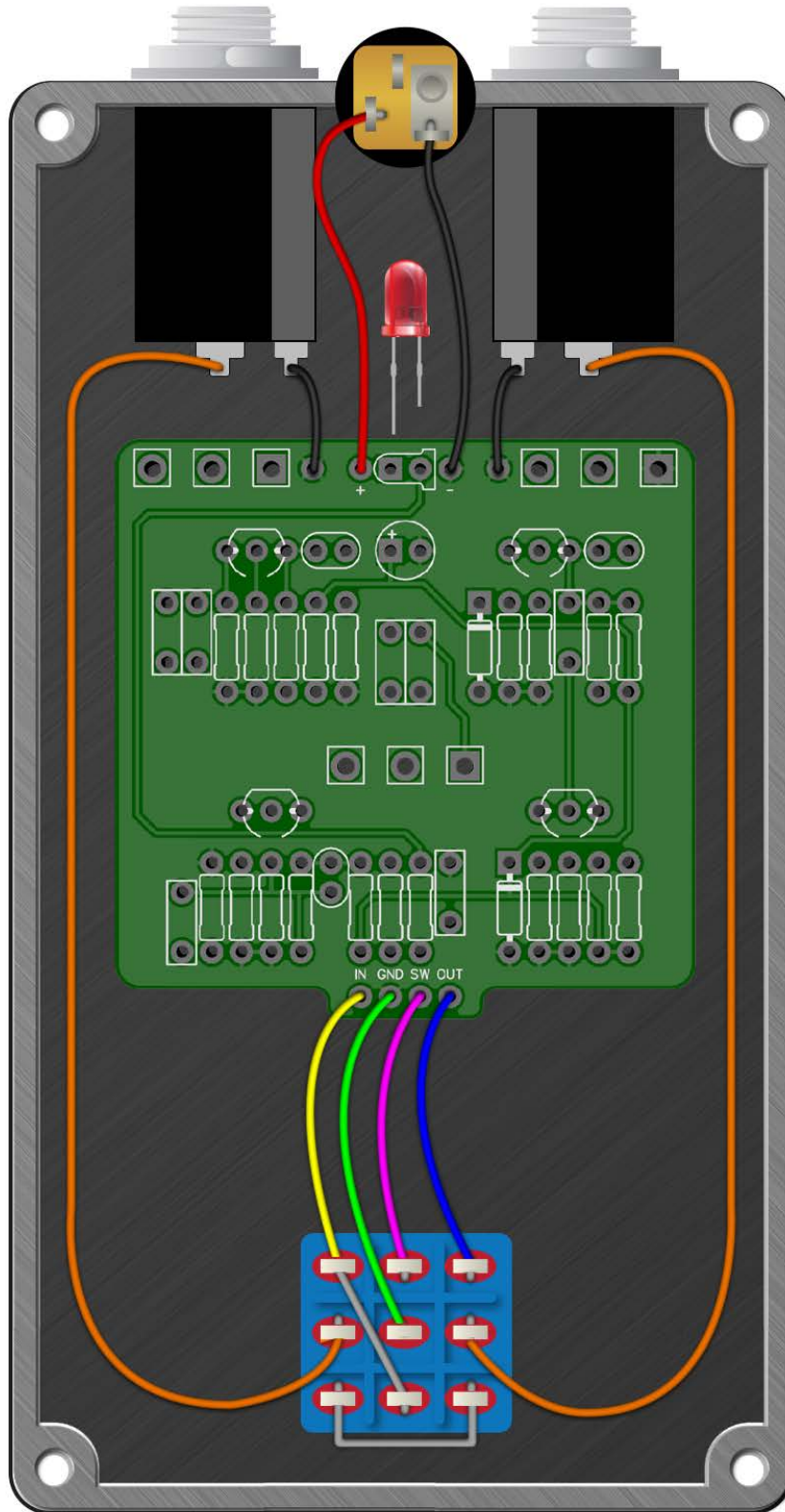
D100 1N5817

**POTENTIOMETERS**

VOLUME B100K  
CONTROL B100K

# Hylan Fuzz





# Hylvian Fuzz

Drill Template  
125B enclosure with top mounted jacks

