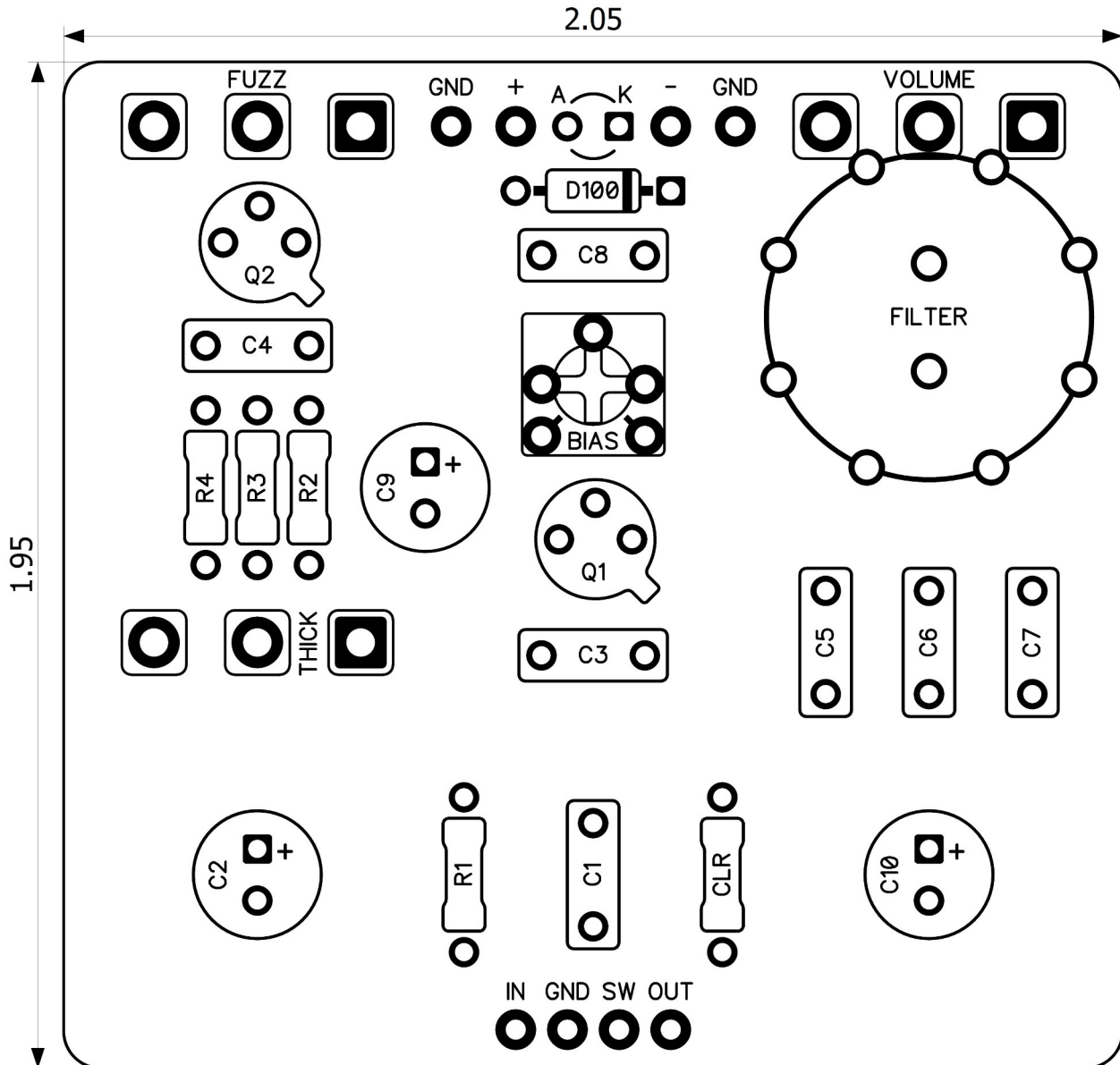




PedalPCB

Hwut Fuzz

Revised 12/19/23



CONTROLS AND FEATURES

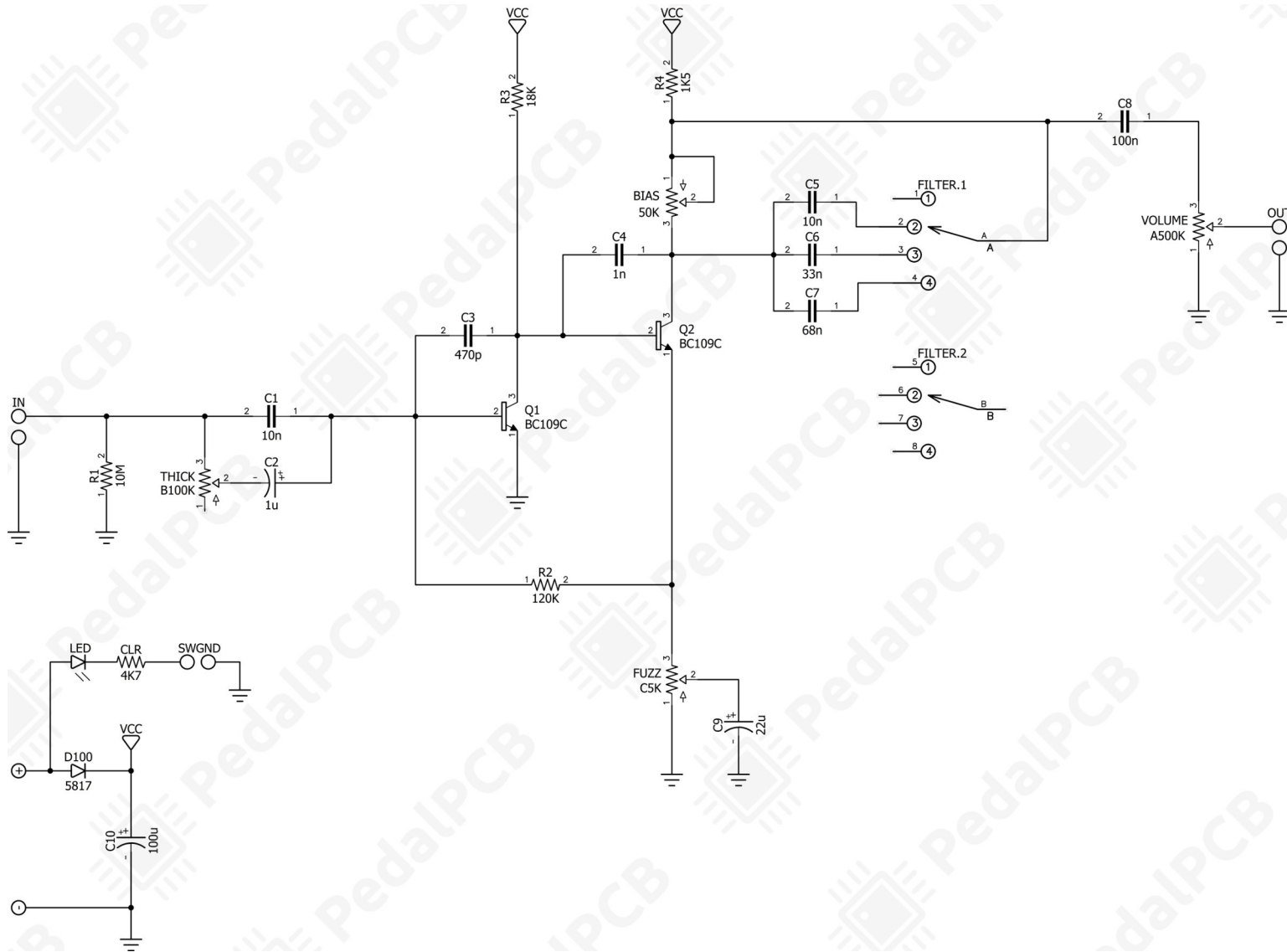
- Volume
- Fuzz
- Filter (Rotary switch)
- Thick

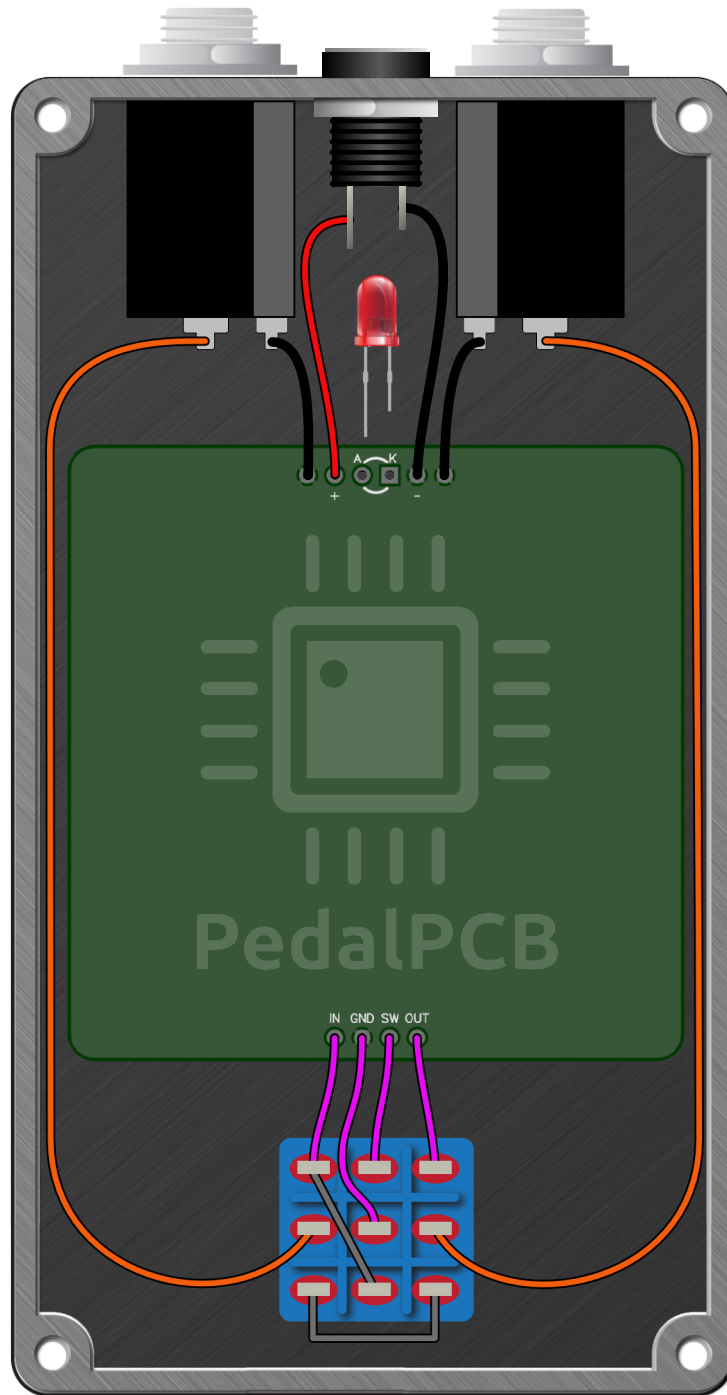
All trademarks and registered trademarks are the property of their respective owners. The company, product, and service names used in this web site are for identification purposes only. Use of these names, logos, and brands does not imply endorsement.

LOCATION	VALUE	TYPE	NOTES
R1	10M	Resistor, 1/4W	
R2	120K	Resistor, 1/4W	
R3	18K	Resistor, 1/4W	
R4	1K5	Resistor, 1/4W	
CLR	4K7	Resistor, 1/4W	<i>* LED current limiting resistor</i>
C1	10n	Film capacitor, 7.2 x 2.5mm	
C2	1u	Electrolytic capacitor, 5mm	
C3	470p	Ceramic capacitor	
C4	1n	Film capacitor, 7.2 x 2.5mm	
C5	10n	Film capacitor, 7.2 x 2.5mm	
C6	33n	Film capacitor, 7.2 x 2.5mm	
C7	68n	Film capacitor, 7.2 x 2.5mm	
C8	100n	Film capacitor, 7.2 x 2.5mm	
C9	22u	Electrolytic capacitor, 5mm	
C10	100u	Electrolytic capacitor, 5mm	
D100	1N5817	Schottky diode, DO-41	
Q1	BC109C	BJT transistor, NPN TO-92	
Q2	BC109C	BJT transistor, NPN TO-92	
BIAS	50K	Trimmer potentiometer, 3362P type	
VOLUME	A500K	16mm right-angle PCB mount pot	
FUZZ	C5K	16mm right-angle PCB mount pot	
THICK	B100K	16mm right-angle PCB mount pot	
FILTER	2P4T	16mm Mini Rotary switch, 2P4T	

Hwut Fuzz

Schematic Diagram





Hwut Fuzz

Drill Template
125B Enclosure

