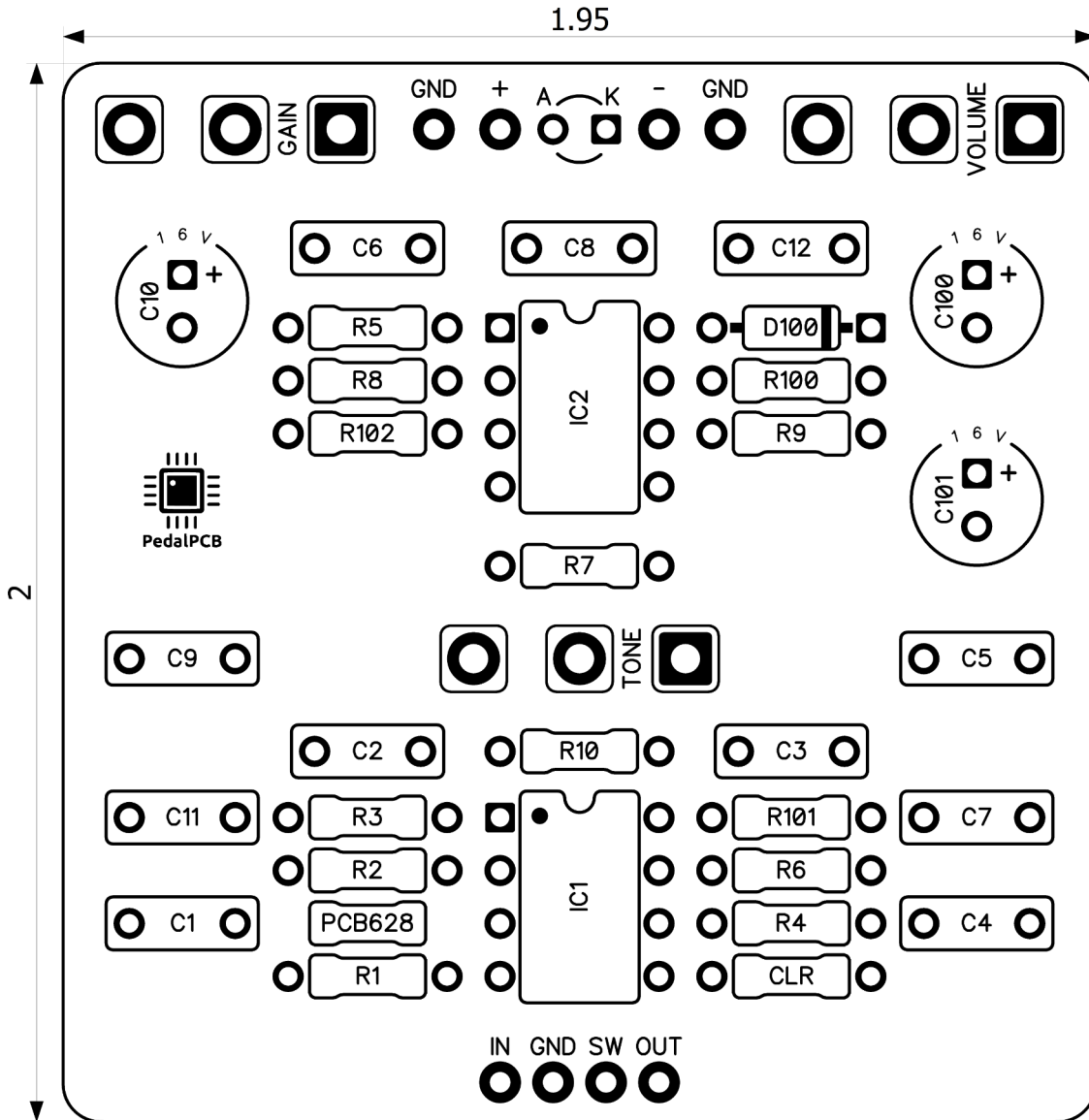




**PedalPCB**

# Huzzy Fuzz

Revised 12/19/23



## CONTROLS AND FEATURES

- Volume
- Tone
- Gain

All trademarks and registered trademarks are the property of their respective owners. The company, product, and service names used in this web site are for identification purposes only. Use of these names, logos, and brands does not imply endorsement.

LOCATION	VALUE	TYPE	NOTES
R1	1M	Resistor, 1/4W	
R2	22K	Resistor, 1/4W	
R3	470K	Resistor, 1/4W	
R4	22K	Resistor, 1/4W	
R5	130K	Resistor, 1/4W	
R6	130K	Resistor, 1/4W	
R7	10K	Resistor, 1/4W	
R8	130K	Resistor, 1/4W	
R9	10K	Resistor, 1/4W	
R10	22K	Resistor, 1/4W	
R100	470R	Resistor, 1/4W	
R101	100K	Resistor, 1/4W	
R102	100K	Resistor, 1/4W	
CLR	4K7	Resistor, 1/4W	* LED current limiting resistor
C1	47n	Film capacitor, 7.2 x 2.5mm	
C2	220p	Ceramic capacitor	
C3	47n	Film capacitor, 7.2 x 2.5mm	
C4	47n	Film capacitor, 7.2 x 2.5mm	
C5	100p	Ceramic capacitor	
C6	100n	Film capacitor, 7.2 x 2.5mm	
C7	220p	Ceramic capacitor	
C8	10p	Ceramic capacitor	
C9	6n8	Film capacitor, 7.2 x 2.5mm	
C10	10u	Electrolytic capacitor, 5mm	
C11	100n	Film capacitor, 7.2 x 2.5mm	
C12	100n	Film capacitor, 7.2 x 2.5mm	
C100	100u	Electrolytic capacitor, 5mm	
C101	100u	Electrolytic capacitor, 5mm	
D100	1N5817	Schottky diode, DO-41	
IC1	TL072	Dual op-amp, DIP8	
IC2	TL071	Single op-amp, DIP8	
VOLUME	A50K	16mm right-angle PCB mount pot	
TONE	B50K	16mm right-angle PCB mount pot	
GAIN	B1M	16mm right-angle PCB mount pot	

# Huzzy Fuzz

Schematic Diagram

