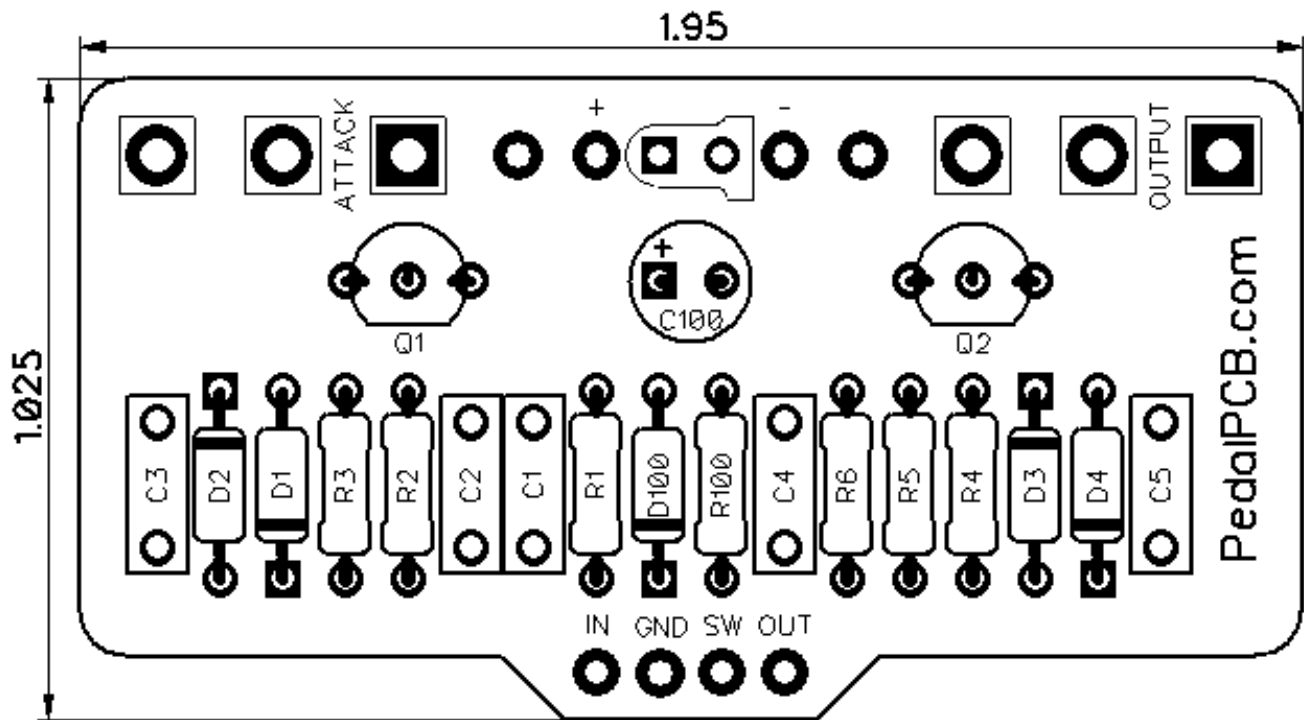


PedalPCB

Heavy Spider

Revision 06.22.20



Controls

- **Output** - Controls the overall output volume
- **Attack** - Controls the amount of distortion

All trademarks and registered trademarks are the property of their respective owners. The company, product, and service names used in this web site are for identification purposes only. Use of these names, logos, and brands does not imply endorsement.

Heavy Spider

Parts List

RESISTORS

R1 1M
R2 3M3
R3 2K2
R4 3M3
R5 4K7
R6 4K7
R100 4K7

CAPACITORS

C1 100n
C2 220p
C3 100n
C4 100n
C5 100n
C100 100u

TRANSISTORS

Q1 BC547
Q2 BC547

DIODES

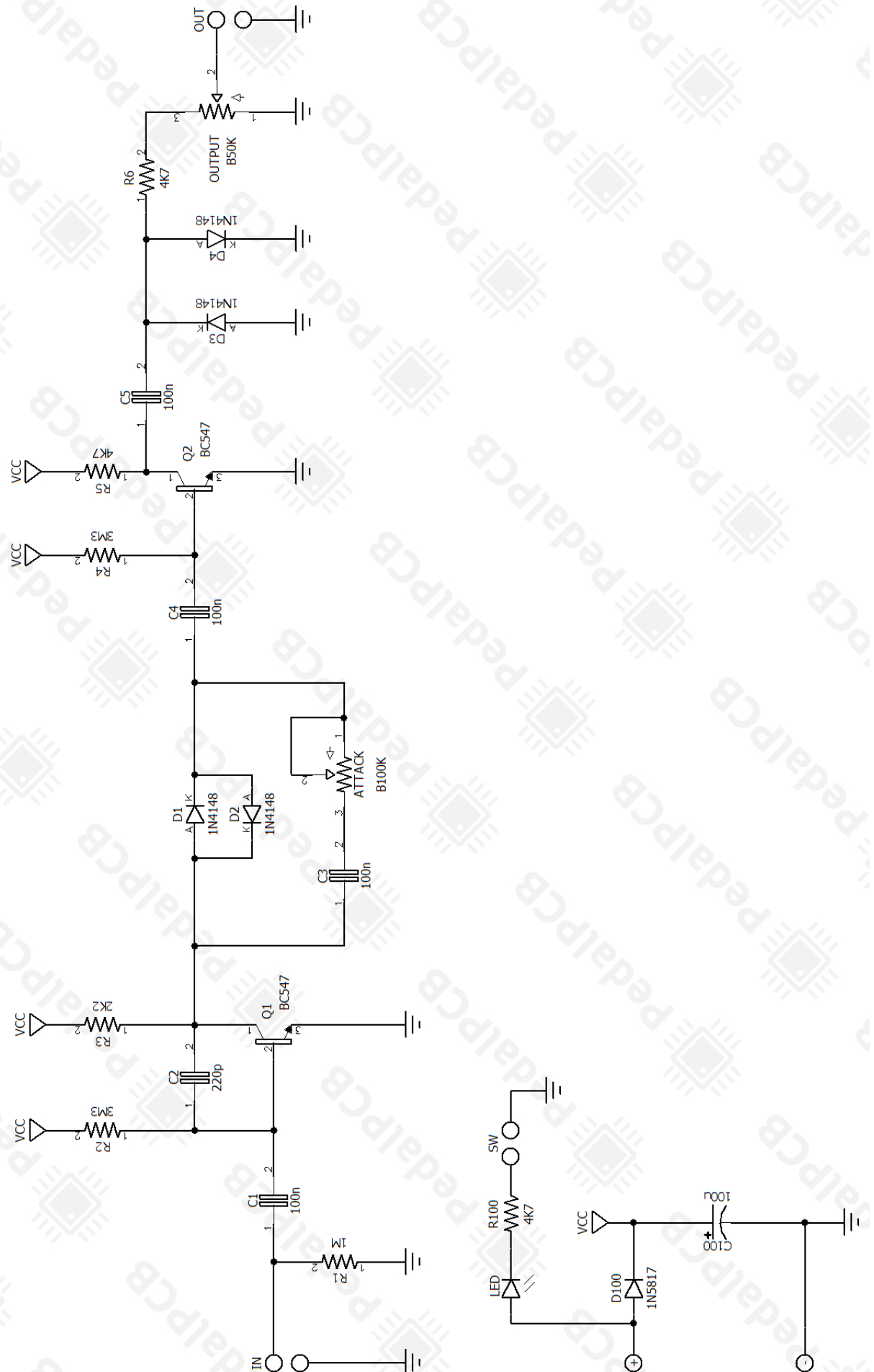
D1 1N4148
D2 1N4148
D3 1N4148
D4 1N4148
D100 1N5817

POTENTIOMETERS

ATTACK B100K
OUTPUT B50K

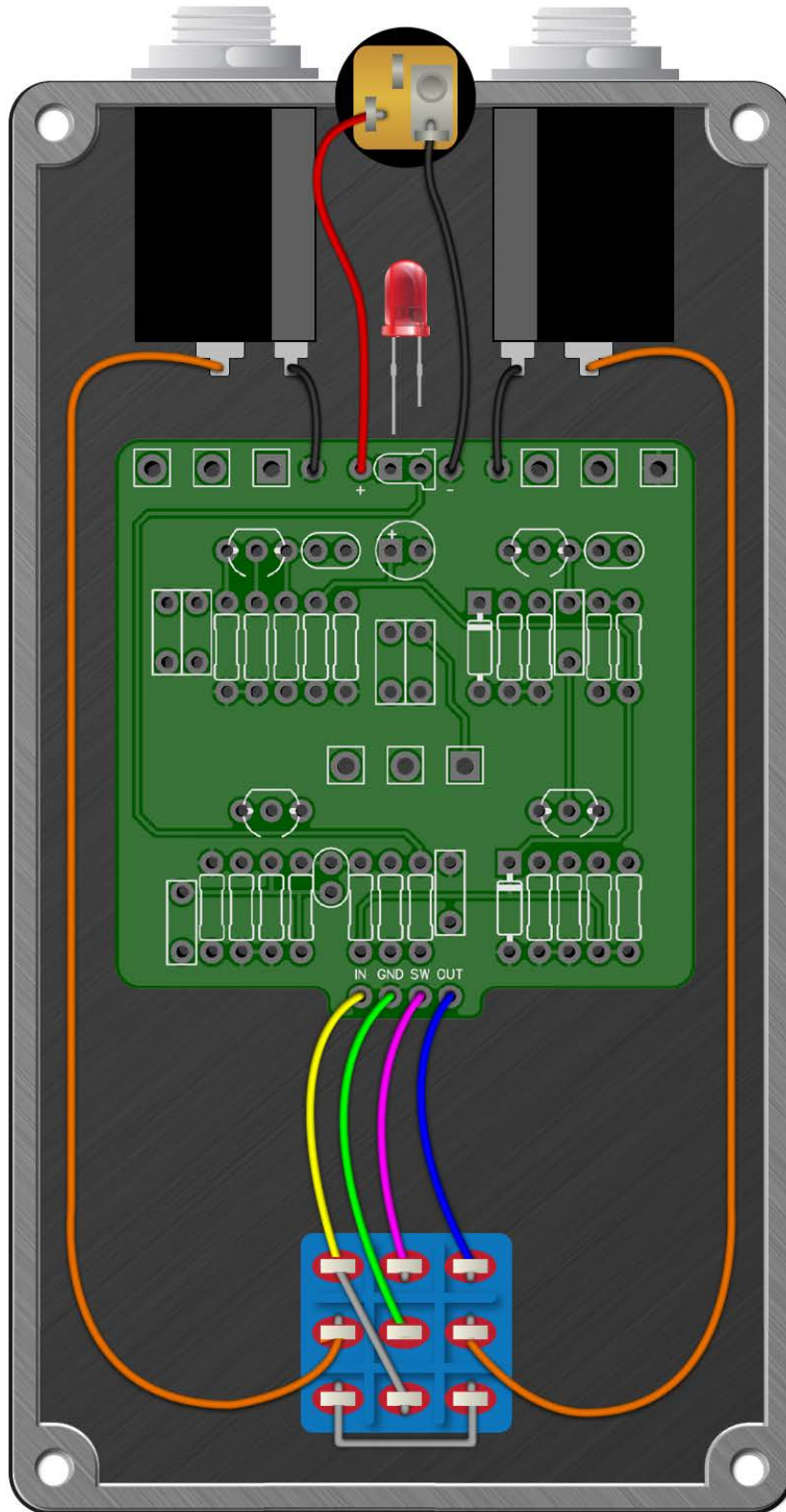


Heavy Spider



Heavy Spider

Wiring Diagram



Heavy Spider

Drill Template
125B enclosure with top mounted jacks

