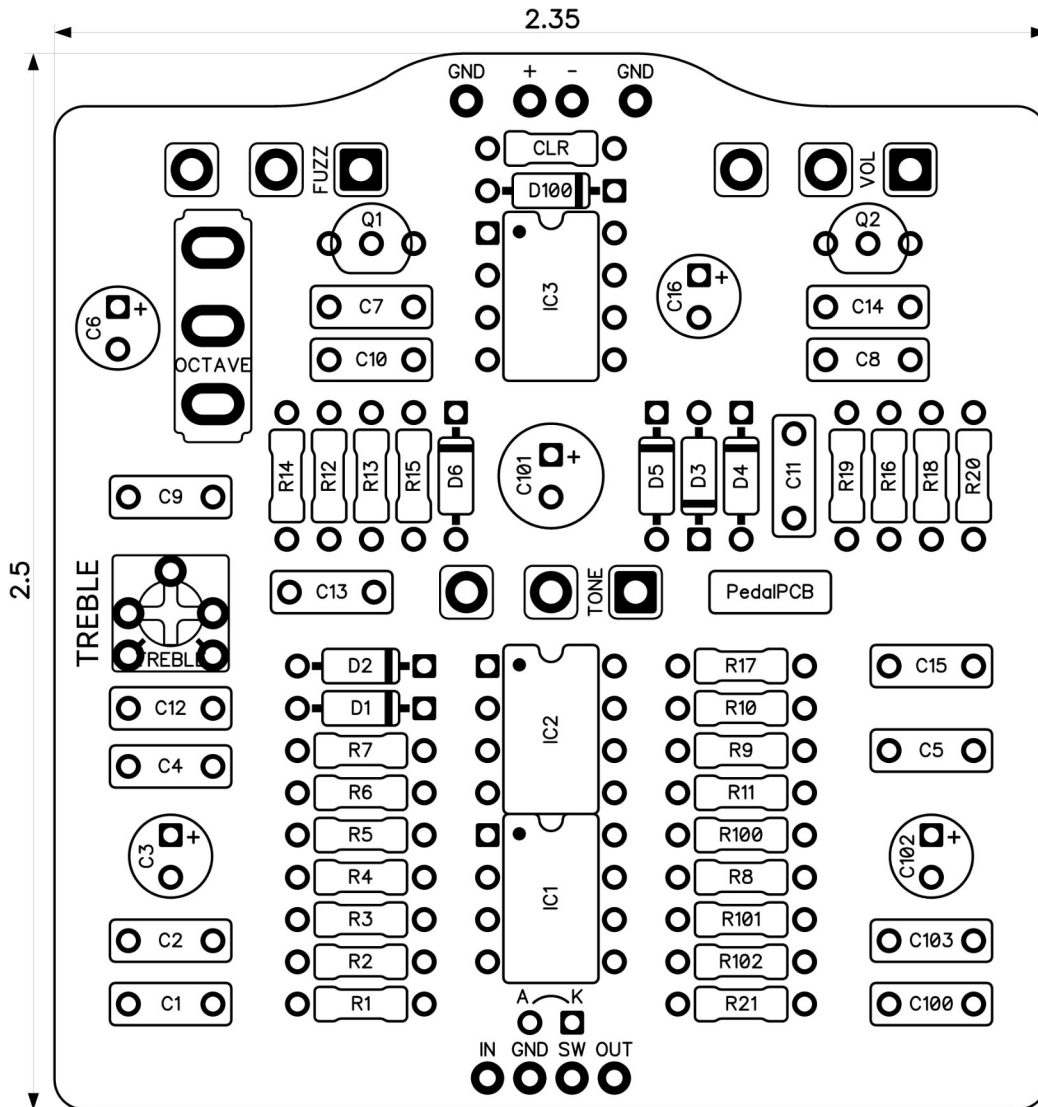


Hammered Kitty Fuzz

Revised 1/14/25

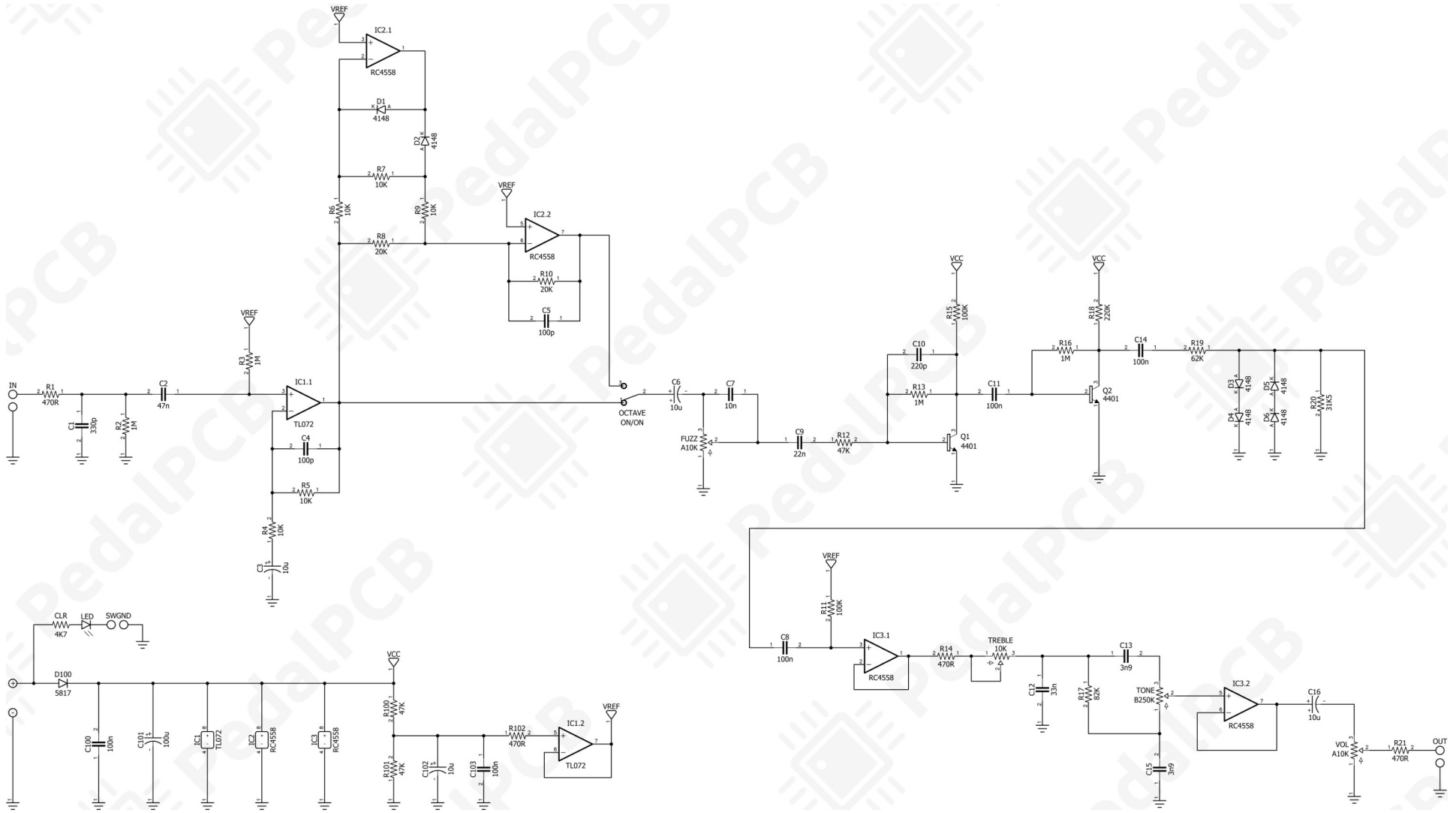


CONTROLS AND FEATURES

- Volume
- Fuzz
- Tone
- Octave (Toggle switch)
- Treble (Internal trim pot)

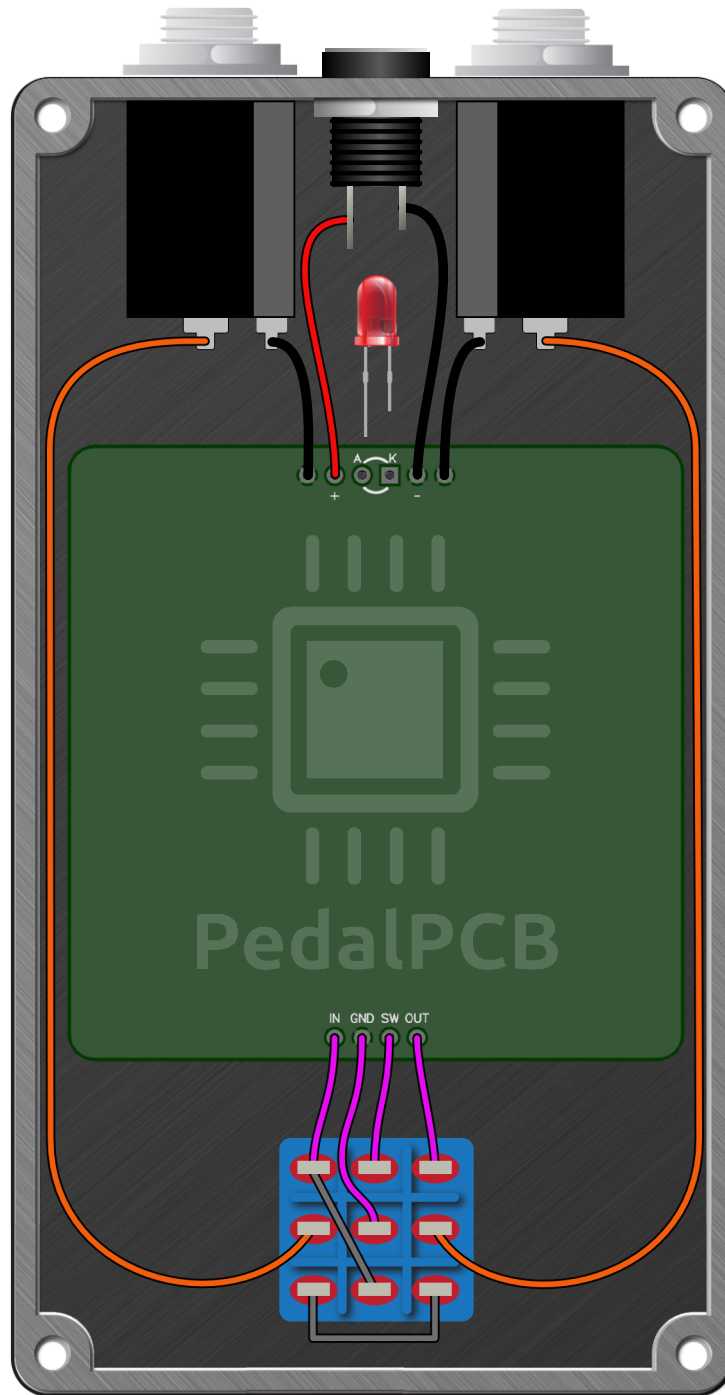
All trademarks and registered trademarks are the property of their respective owners. The company, product, and service names used in this web site are for identification purposes only. Use of these names, logos, and brands does not imply endorsement.

LOCATION	VALUE	TYPE	NOTES
R1	470R	Resistor, 1/4W	
R2	1M	Resistor, 1/4W	
R3	1M	Resistor, 1/4W	
R4	10K	Resistor, 1/4W	
R5	10K	Resistor, 1/4W	
R6	10K	Resistor, 1/4W	
R7	10K	Resistor, 1/4W	
R8	20K	Resistor, 1/4W	
R9	10K	Resistor, 1/4W	
R10	20K	Resistor, 1/4W	
R11	100K	Resistor, 1/4W	
R12	47K	Resistor, 1/4W	
R13	1M	Resistor, 1/4W	
R14	470R	Resistor, 1/4W	
R15	100K	Resistor, 1/4W	
R16	1M	Resistor, 1/4W	
R17	82K	Resistor, 1/4W	
R18	220K	Resistor, 1/4W	
R19	62K	Resistor, 1/4W	
R20	31K5	Resistor, 1/4W	
R21	470R	Resistor, 1/4W	
R100	47K	Resistor, 1/4W	
R101	47K	Resistor, 1/4W	
R102	470R	Resistor, 1/4W	
CLR	4K7	Resistor, 1/4W	* LED current limiting resistor
C1	330p	Ceramic capacitor	
C2	47n	Film capacitor, 7.2 x 2.5mm	
C3	10u	Electrolytic capacitor, 5mm	
C4	100p	Ceramic capacitor	
C5	100p	Ceramic capacitor	
C6	10u	Electrolytic capacitor, 5mm	
C7	10n	Film capacitor, 7.2 x 2.5mm	
C8	100n	Film capacitor, 7.2 x 2.5mm	
C9	22n	Film capacitor, 7.2 x 2.5mm	
C10	220p	Ceramic capacitor	
C11	100n	Film capacitor, 7.2 x 2.5mm	
C12	33n	Film capacitor, 7.2 x 2.5mm	
C13	3n9	Film capacitor, 7.2 x 2.5mm	
C14	100n	Film capacitor, 7.2 x 2.5mm	
C15	3n9	Film capacitor, 7.2 x 2.5mm	
C16	10u	Electrolytic capacitor, 5mm	
C100	100n	Film capacitor, 7.2 x 2.5mm	
C101	100u	Electrolytic capacitor, 5mm	
C102	10u	Electrolytic capacitor, 5mm	
C103	100n	Film capacitor, 7.2 x 2.5mm	
D1	1N4148	Signal diode, DO-35	
D2	1N4148	Signal diode, DO-35	
D3	1N4148	Signal diode, DO-35	
D4	1N4148	Signal diode, DO-35	
D5	1N4148	Signal diode, DO-35	
D6	1N4148	Signal diode, DO-35	
D100	1N5817	Schottky diode, DO-41	
Q1	2N4401	BJT transistor, NPN TO-92	
Q2	2N4401	BJT transistor, NPN TO-92	
IC1	TL072	Dual op-amp, DIP8	
IC2	RC4558	Dual op-amp, DIP8	
IC3	RC4558	Dual op-amp, DIP8	
OCTAVE	ON/ON	Toggle switch, SPDT	2-position (ON/ON)
VOL	A10K	16mm right-angle PCB mount pot	
TONE	B250K	16mm right-angle PCB mount pot	
FUZZ	A10K	16mm right-angle PCB mount pot	
TREBLE	10K	Trimmer potentiometer, 3362P type	



Hammered Kitty Fuzz

Wiring Diagram



Hammered Kitty Fuzz

Drill Template
125B Enclosure

