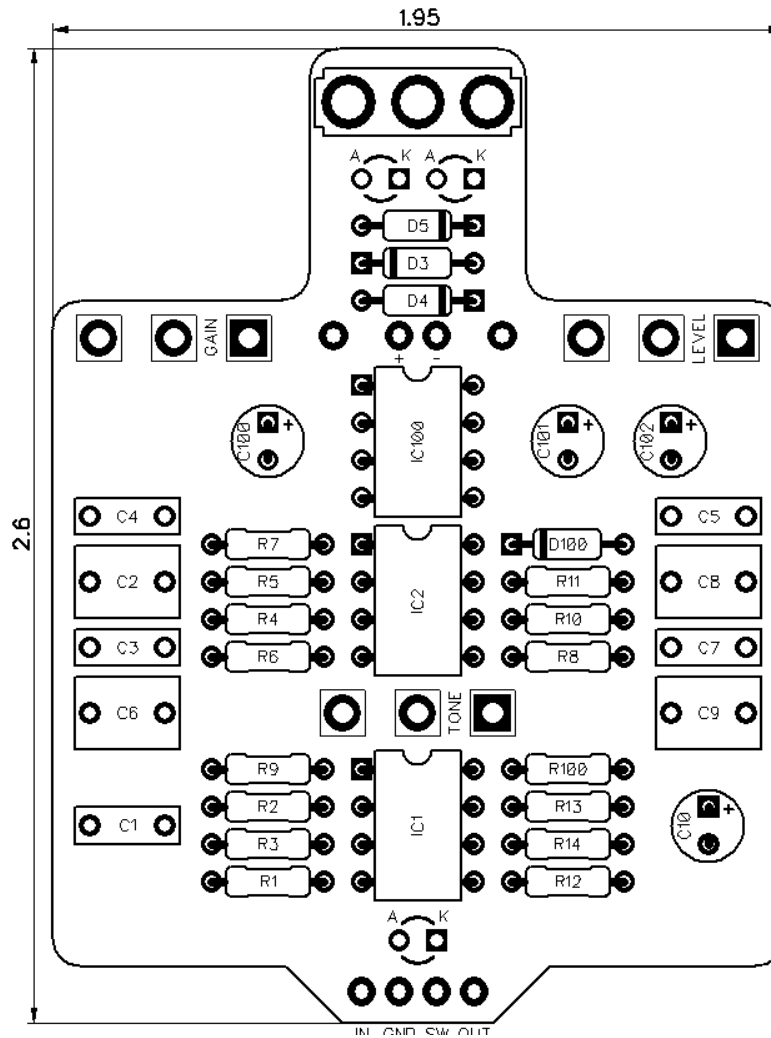


PedalPCB

Greengage Overdrive

Revision 10.18.19



Controls

- Level
- Tone
- Gain
- Clipping (Toggle switch)

All trademarks and registered trademarks are the property of their respective owners. The company, product, and service names used in this web site are for identification purposes only. Use of these names, logos, and brands does not imply endorsement.

RESISTORS (1/4W)

R1 1M
R2 1K
R3 10M
R4 10K
R5 47K
R6 4K7
R7 1K
R8 10K
R9 330R
R10 1K
R11 1K
R12 1M
R13 100R
R14 100K
R100 4K7

CAPACITORS

C1 33n
C2 1u
C3 56p
C4 100n
C5 47n
C6 470n
C7 56p
C8 1u
C9 1u
C10 10u
C100 10u
C101 100u
C102 100u

INTEGRATED CIRCUITS

IC1 TL072
IC2 TL072
IC100 TC1044SCPA

DIODES

D1 3mm Red LED
D2 3mm Red LED
D3 1N4148
D4 1N4148
D5 1N4148
D100 1N5817

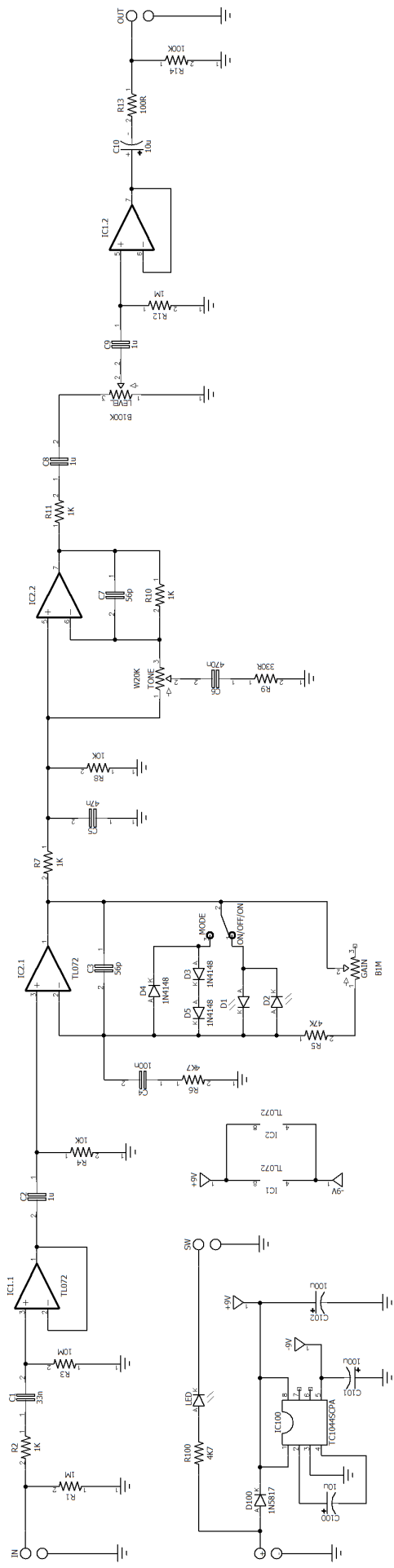
POTENTIOMETERS

GAIN B1M
TONE W20K
LEVEL B100K

SWITCHES

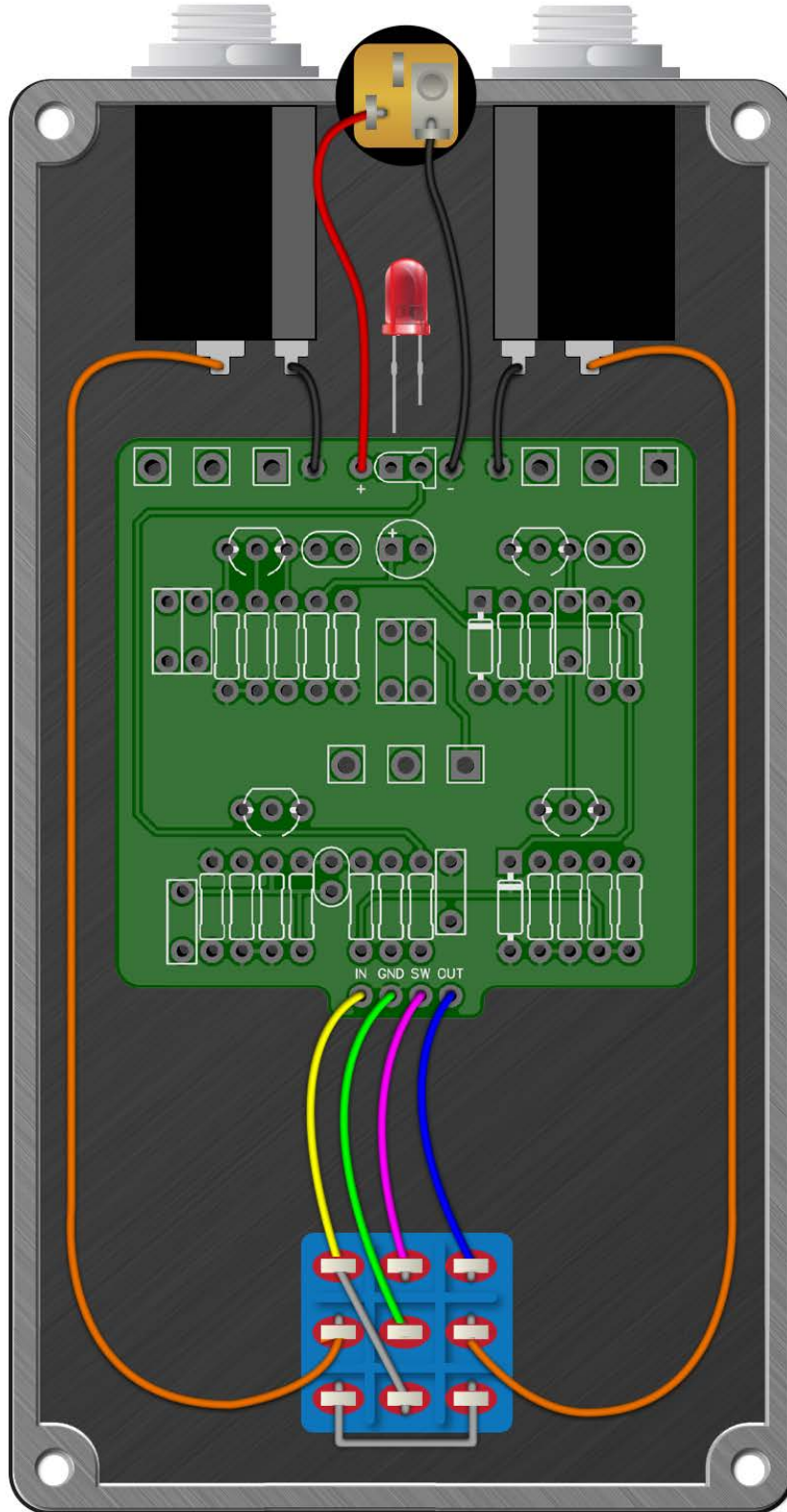
MODE SPDT (ON/OFF/ON)

Greengage Overdrive



Greengage Overdrive

Wiring Diagram



Greengage Overdrive

Drill Template
125B enclosure with top mounted jacks

