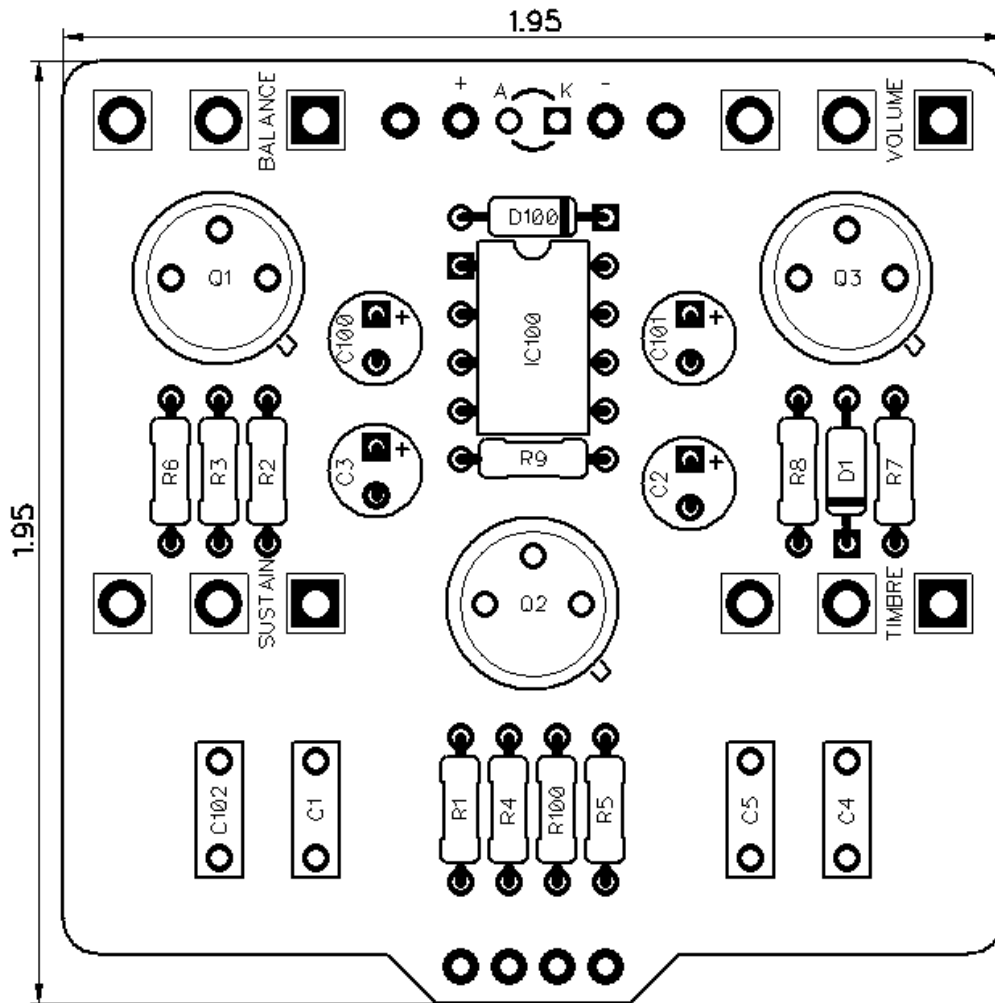




PedalPCB

Gnat Fuzz

Revision 08.16.19



Controls

- Volume
- Balance
- Sustain
- Timbre

All trademarks and registered trademarks are the property of their respective owners. The company, product, and service names used in this web site are for identification purposes only. Use of these names, logos, and brands does not imply endorsement.

RESISTORS (1/4W)

R1 1M
R2 100K
R3 470K
R4 10K
R5 3K3
R6 10K
R7 10K
R8 15K
R9 24K
R100 4K7

CAPACITORS

C1 100n
C2 4u7
C3 4u7
C4 1n
C5 100n
C100 10u
C101 100u
C102 100n

INTEGRATED CIRCUITS

IC100 TC1044SCPA

TRANSISTORS

Q1 NKT213 (hFE ~60)
Q2 NKT213 (hFE ~80)
Q3 NKT213 (hFE 120+)

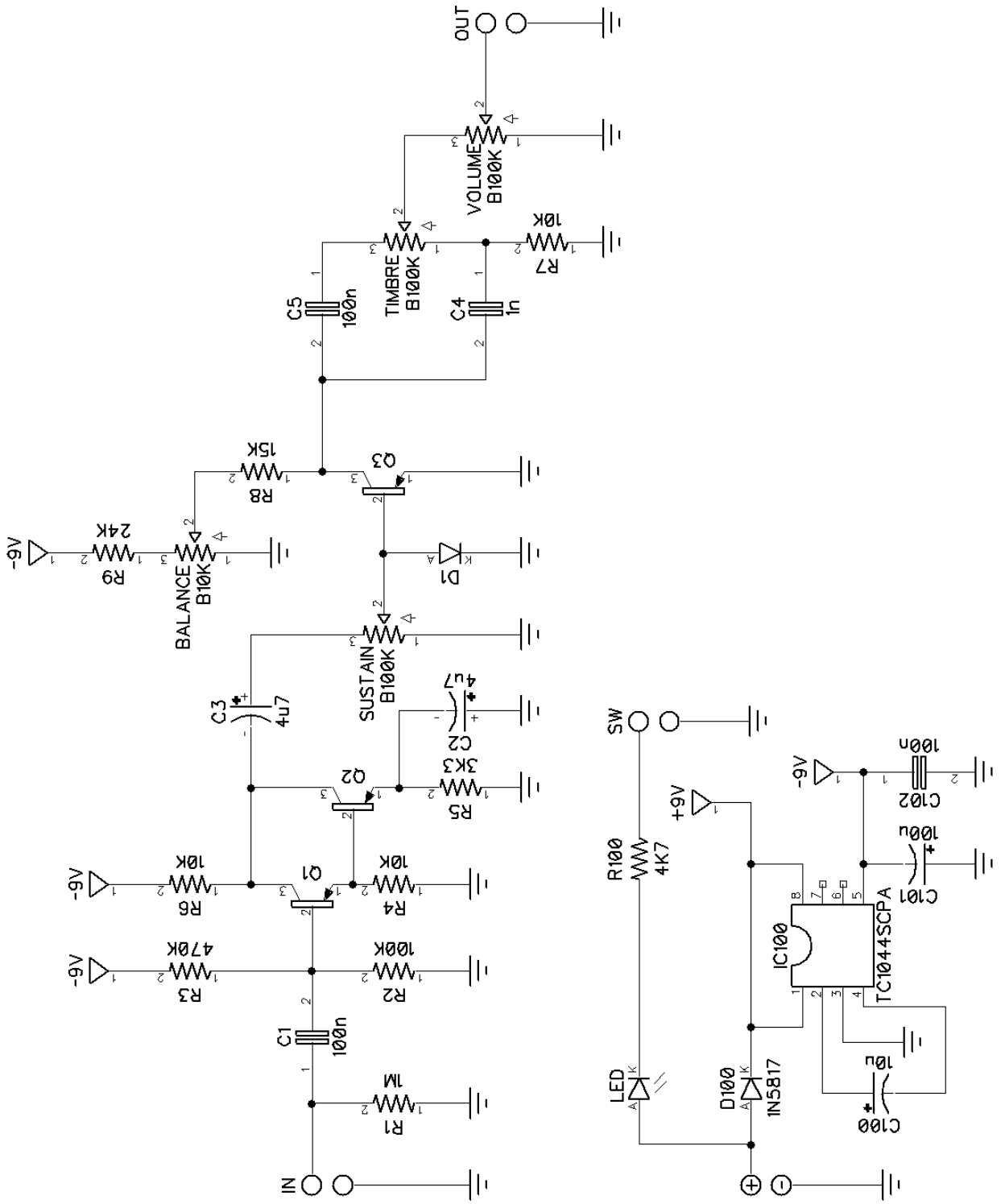
DIODES

D1 GE (1N34A, 1N270, etc)
D100 1N5817

POTENTIOMETERS

BALANCE B10K
SUSTAIN B100K
TIMBRE B100K
VOLUME B100K

Gnat Fuzz





Gnat Fuzz

Drill Template
125B enclosure with top mounted jacks

