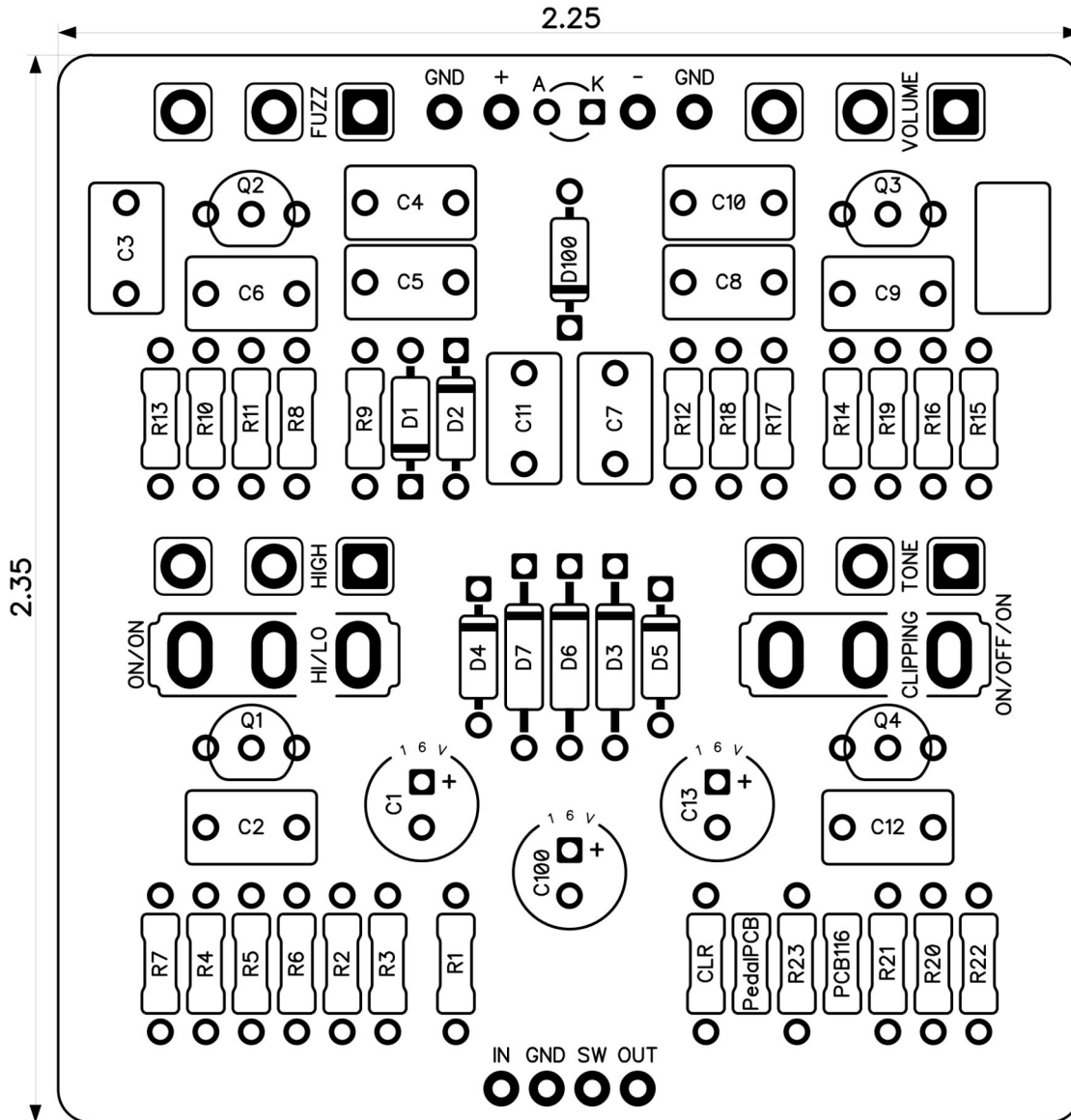




PedalPCB

Glyph Fuzz

Revised 12/18/23



CONTROLS AND FEATURES

- Volume
- Fuzz
- Tone
- High
- Clipping (Toggle switch)
- Hi/Lo Input (Toggle switch)

All trademarks and registered trademarks are the property of their respective owners. The company, product, and service names used in this web site are for identification purposes only. Use of these names, logos, and brands does not imply endorsement.

LOCATION	VALUE	TYPE	NOTES
R1	2M	Resistor, 1/4W	
R2	39K	Resistor, 1/4W	
R3	390K	Resistor, 1/4W	
R4	100K	Resistor, 1/4W	
R5	470K	Resistor, 1/4W	
R6	10K	Resistor, 1/4W	
R7	1K	Resistor, 1/4W	
R8	1K	Resistor, 1/4W	
R9	6K2	Resistor, 1/4W	
R10	470K	Resistor, 1/4W	
R11	100K	Resistor, 1/4W	
R12	10K	Resistor, 1/4W	
R13	100R	Resistor, 1/4W	
R14	6K2	Resistor, 1/4W	
R15	470K	Resistor, 1/4W	
R16	100K	Resistor, 1/4W	
R17	10K	Resistor, 1/4W	
R18	100R	Resistor, 1/4W	
R19	470K	Resistor, 1/4W	
R20	470K	Resistor, 1/4W	
R21	100K	Resistor, 1/4W	
R22	10K	Resistor, 1/4W	
R23	2K2	Resistor, 1/4W	
CLR	4K7	Resistor, 1/4W	* LED current limiting resistor
C1	10u	Electrolytic capacitor, 5mm	
C2	470p	Ceramic capacitor	
C3	470n	Film capacitor, 7.2 x 5.0mm	
C4	470n	Film capacitor, 7.2 x 5.0mm	
C5	470n	Film capacitor, 7.2 x 5.0mm	
C6	470p	Ceramic capacitor	
C7	470n	Film capacitor, 7.2 x 5.0mm	
C8	470n	Film capacitor, 7.2 x 5.0mm	
C9	470p	Ceramic capacitor	
C10	10n	Film capacitor, 7.2 x 2.5mm	
C11	22n	Film capacitor, 7.2 x 2.5mm	
C12	470n	Film capacitor, 7.2 x 5.0mm	
C13	10u	Electrolytic capacitor, 5mm	
C100	100u	Electrolytic capacitor, 5mm	
D1	1N914	Signal diode, DO-35	
D2	1N914	Signal diode, DO-35	
D3	GE	Germanium diode	
D4	1N914	Signal diode, DO-35	
D5	1N914	Signal diode, DO-35	
D6	GE	Germanium diode	
D7	GE	Germanium diode	
D100	1N5817	Schottky diode, DO-41	
Q1	MPSA18	BJT transistor, NPN TO-92	
Q2	2N5089	BJT transistor, NPN TO-92	
Q3	2N5089	BJT transistor, NPN TO-92	
Q4	2N5089	BJT transistor, NPN TO-92	
VOLUME	A100K	16mm right-angle PCB mount pot	
FUZZ	B100K	16mm right-angle PCB mount pot	
TONE	B250K	16mm right-angle PCB mount pot	
HIGH	B25K	16mm right-angle PCB mount pot	
CLIPPING	ON/OFF/ON	Toggle switch, SPDT	3-position (ON/OFF/ON)
HI/LO	ON/ON	Toggle switch, SPDT	2-position (ON/ON)

Glyph Fuzz

Schematic Diagram

