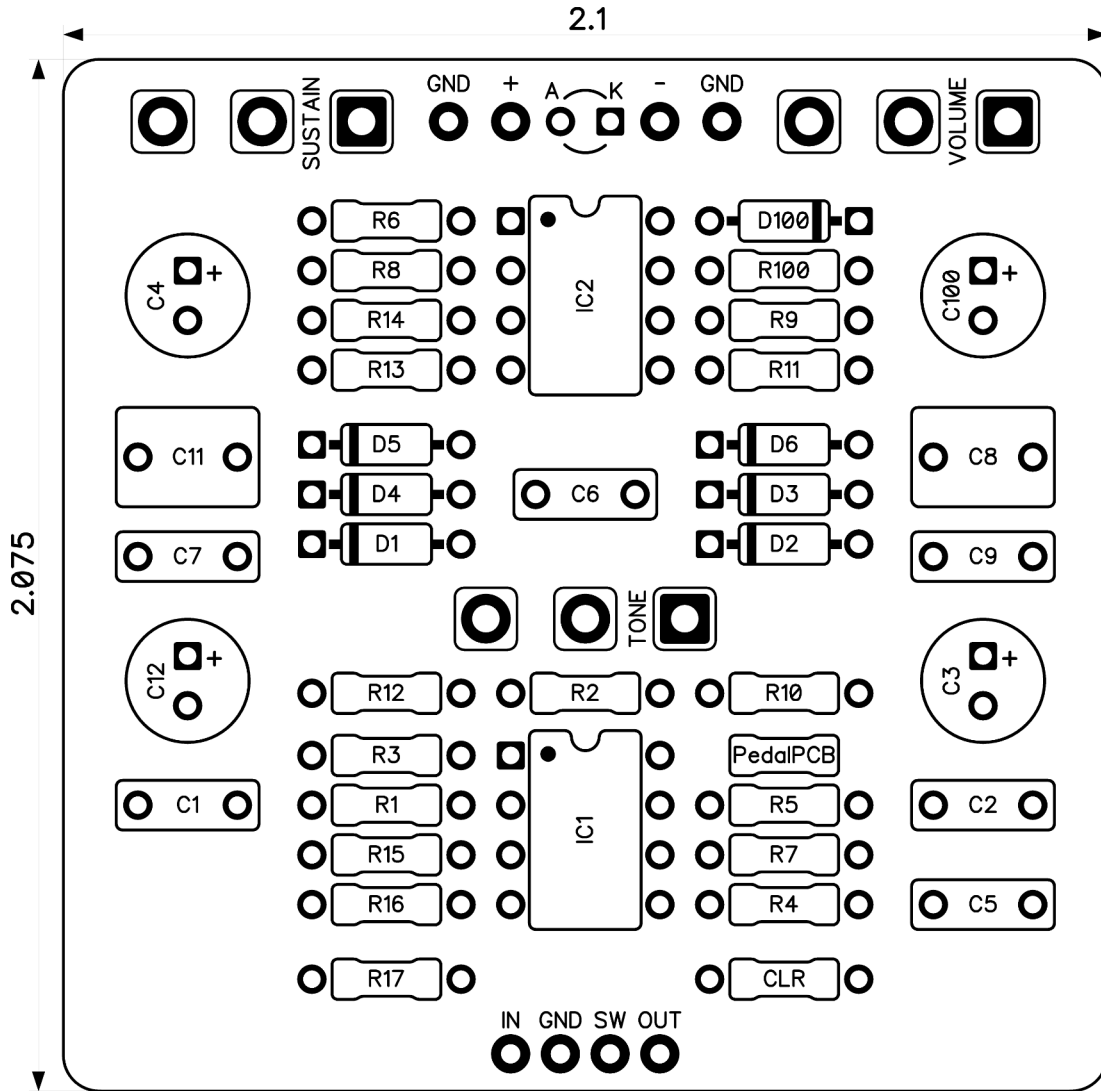


PedalPCB

Glue Trap Fuzz

Revised 5/10/26



CONTROLS AND FEATURES

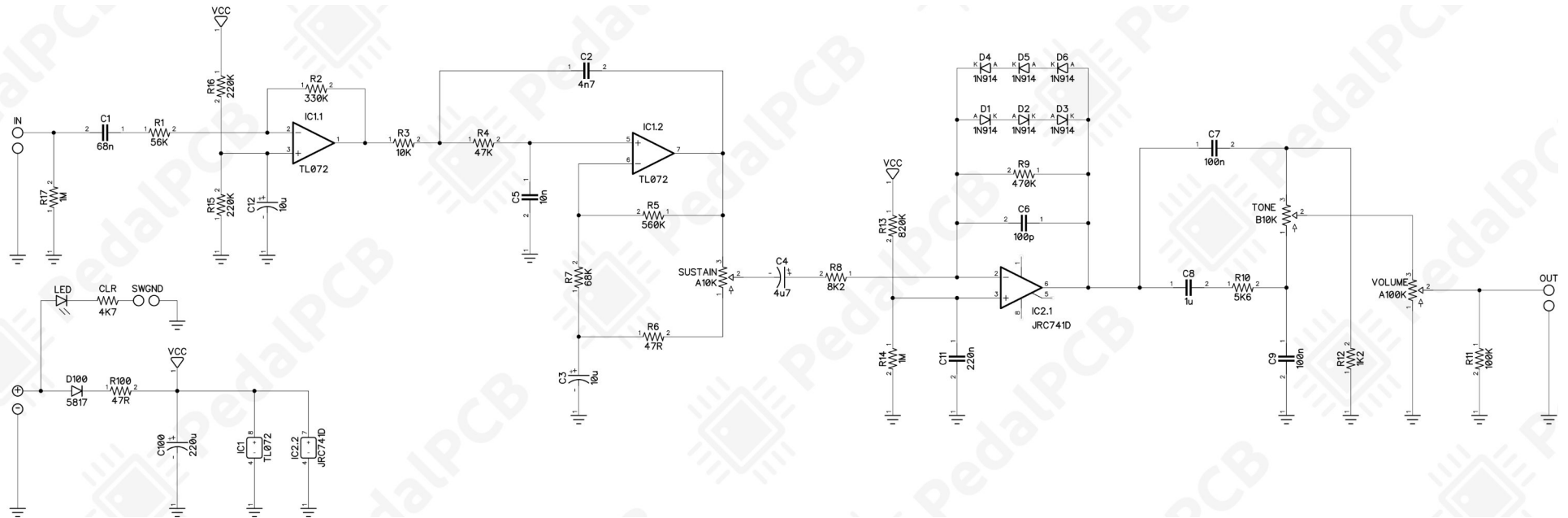
- Volume
- Tone
- Sustain

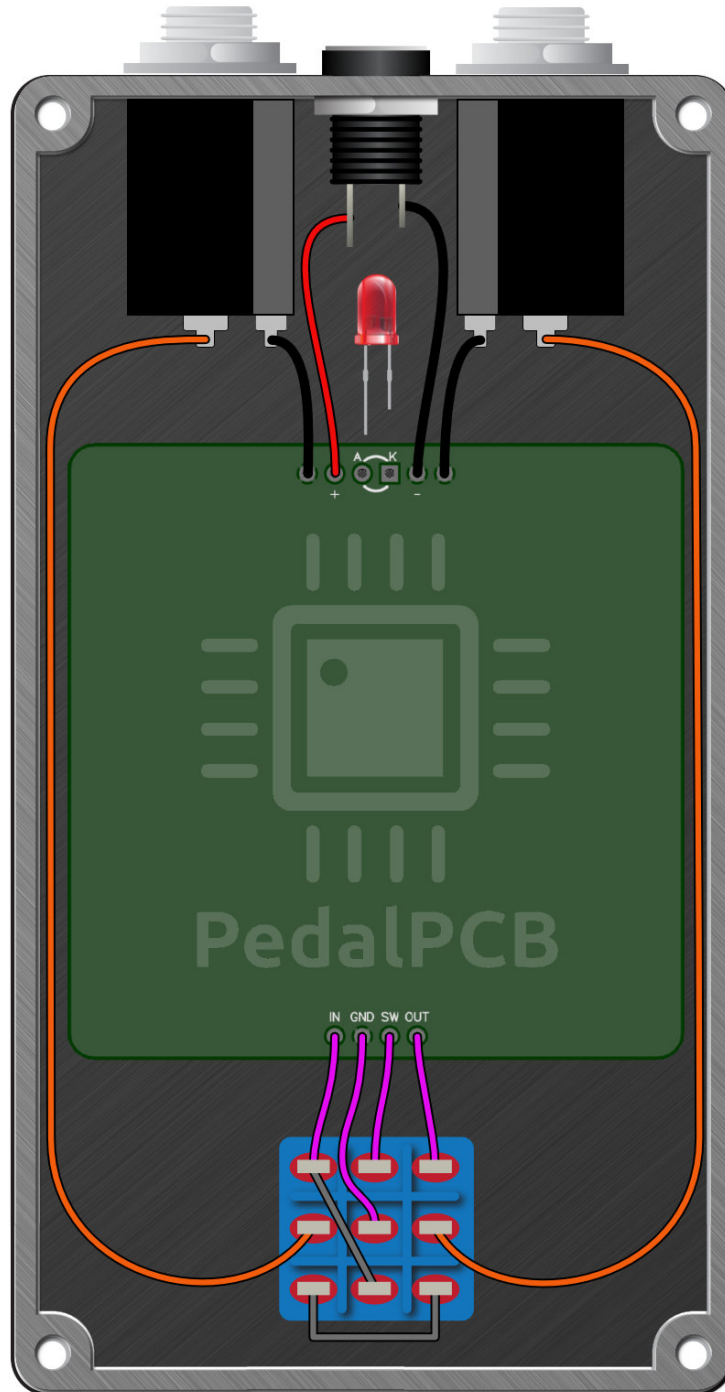
All trademarks and registered trademarks are the property of their respective owners. The company, product, and service names used in this web site are for identification purposes only. Use of these names, logos, and brands does not imply endorsement.

LOCATION	VALUE	TYPE	NOTES
R1	56K	Resistor, 1/4W	
R2	330K	Resistor, 1/4W	
R3	10K	Resistor, 1/4W	
R4	47K	Resistor, 1/4W	
R5	560K	Resistor, 1/4W	
R6	47R	Resistor, 1/4W	
R7	68K	Resistor, 1/4W	
R8	8K2	Resistor, 1/4W	
R9	470K	Resistor, 1/4W	
R10	5K6	Resistor, 1/4W	
R11	100K	Resistor, 1/4W	
R12	1K2	Resistor, 1/4W	
R13	820K	Resistor, 1/4W	
R14	1M	Resistor, 1/4W	
R15	220K	Resistor, 1/4W	
R16	220K	Resistor, 1/4W	
R17	1M	Resistor, 1/4W	
R100	47R	Resistor, 1/4W	
CLR	4K7	Resistor, 1/4W	* LED current limiting resistor
C1	68n	Film capacitor, 7.2 x 2.5mm	
C2	4n7	Film capacitor, 7.2 x 2.5mm	
C3	10u	Electrolytic capacitor, 5mm	
C4	4u7	Electrolytic capacitor, 5mm	
C5	10n	Film capacitor, 7.2 x 2.5mm	
C6	100p	Ceramic capacitor	
C7	100n	Film capacitor, 7.2 x 2.5mm	
C8	1u	Film capacitor, 7.2 x 5.0mm	
C9	100n	Film capacitor, 7.2 x 2.5mm	
C11	220n	Film capacitor, 7.2 x 5.0mm	
C12	10u	Electrolytic capacitor, 5mm	
C100	220u	Electrolytic capacitor, 5mm	
D1	1N914	Signal diode, DO-35	
D2	1N914	Signal diode, DO-35	
D3	1N914	Signal diode, DO-35	
D4	1N914	Signal diode, DO-35	
D5	1N914	Signal diode, DO-35	
D6	1N914	Signal diode, DO-35	
D100	1N5817	Schottky diode, DO-41	
IC1	TL072	Dual op-amp, DIP8	
IC2	JRC741D	Single op-amp, DIP8	
VOLUME	A100K	16mm right-angle PCB mount pot	
TONE	B10K	16mm right-angle PCB mount pot	
SUSTAIN	A10K	16mm right-angle PCB mount pot	

Glue Trap Fuzz

Schematic Diagram





Glue Trap Fuzz

Drill Template
125B Enclosure

