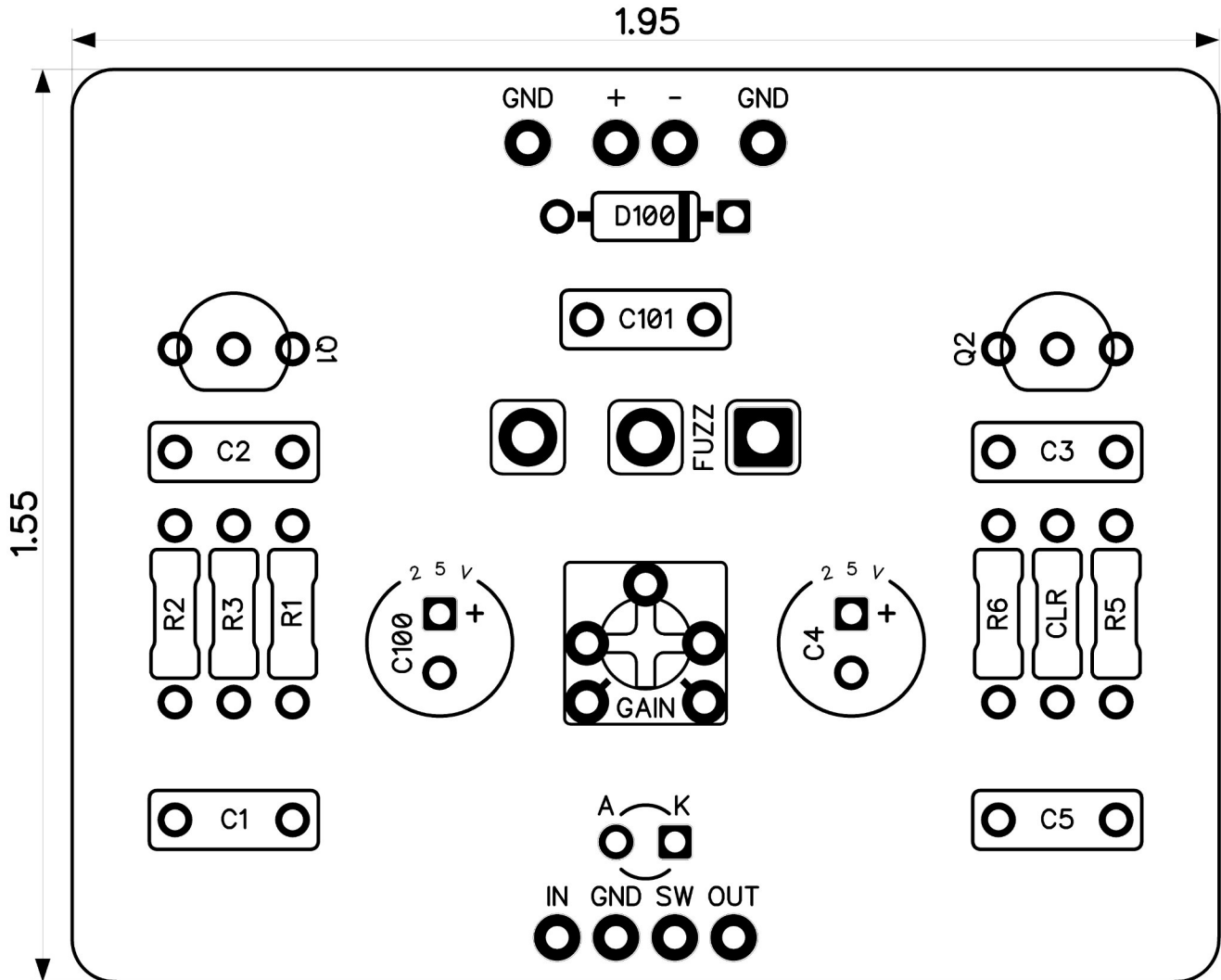


# PedalPCB

## Ginormous Fuzz

Revised 12/18/23



### CONTROLS AND FEATURES

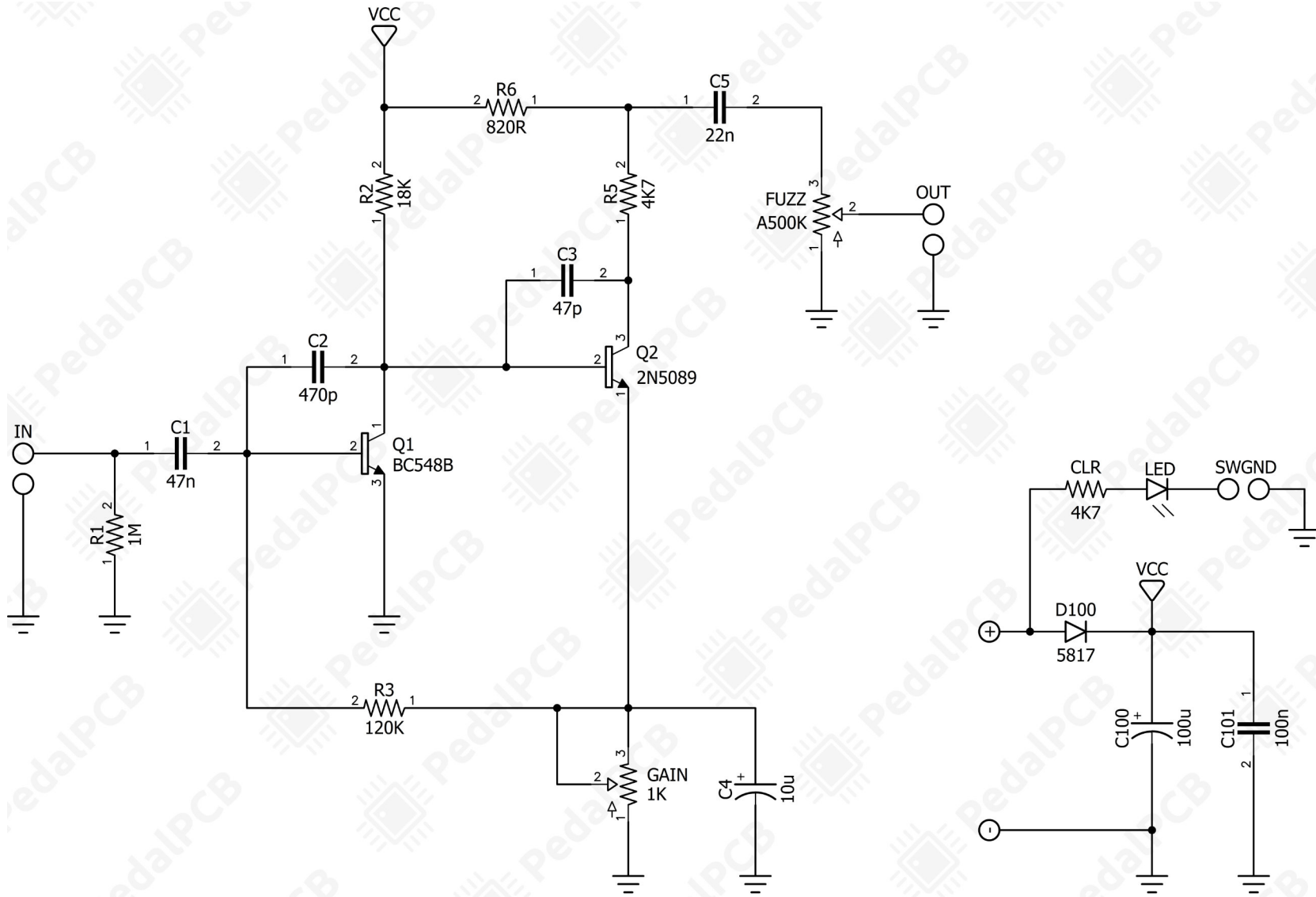
- Fuzz
- Gain (Internal trim pot)

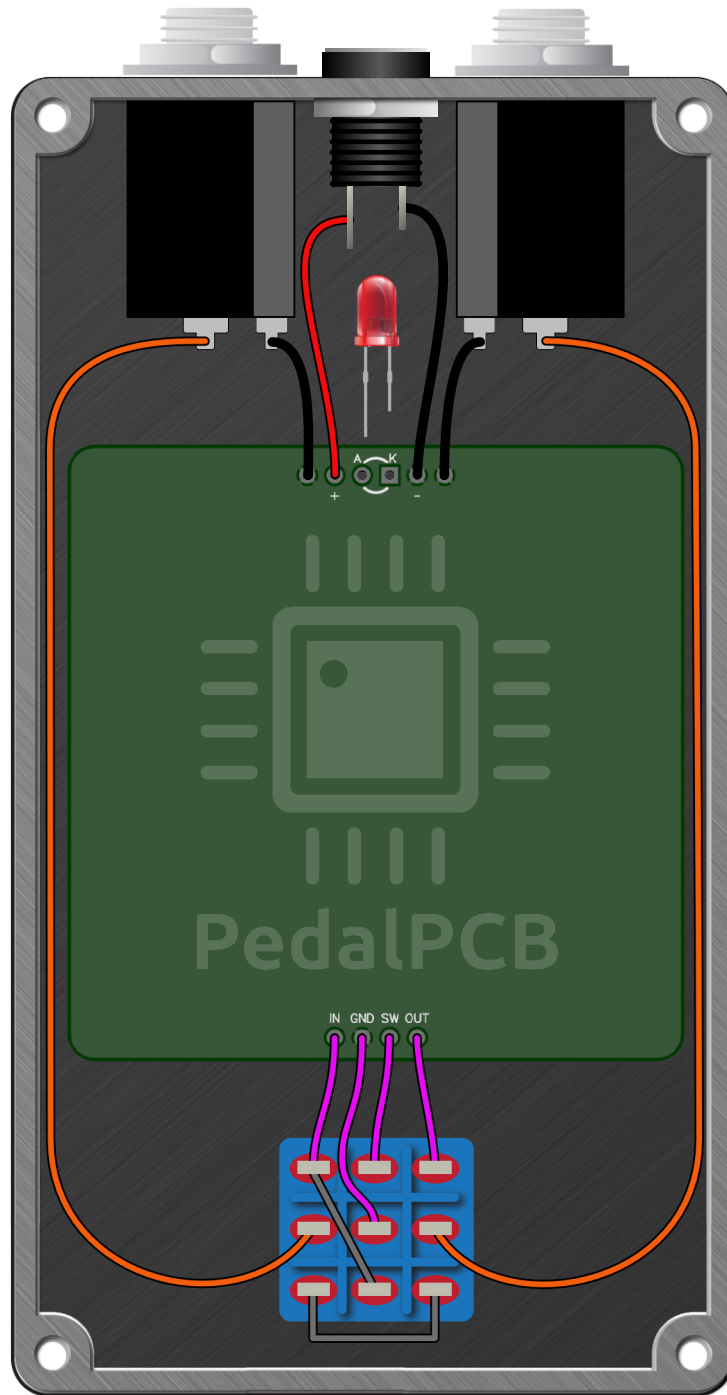
All trademarks and registered trademarks are the property of their respective owners. The company, product, and service names used in this web site are for identification purposes only. Use of these names, logos, and brands does not imply endorsement.

LOCATION	VALUE	TYPE	NOTES
R1	1M	Resistor, 1/4W	
R2	18K	Resistor, 1/4W	
R3	120K	Resistor, 1/4W	
R5	4K7	Resistor, 1/4W	
R6	820R	Resistor, 1/4W	
CLR	4K7	Resistor, 1/4W	* <i>LED current limiting resistor</i>
C1	47n	Film capacitor, 7.2 x 2.5mm	
C2	470p	Ceramic capacitor	
C3	47p	Ceramic capacitor	
C4	10u	Electrolytic capacitor, 5mm	
C5	22n	Film capacitor, 7.2 x 2.5mm	
C100	100u	Electrolytic capacitor, 5mm	
C101	100n	Film capacitor, 7.2 x 2.5mm	
D100	1N5817	Schottky diode, DO-41	
Q1	BC548B	BJT transistor, NPN TO-92	
Q2	2N5089	BJT transistor, NPN TO-92	
GAIN	1K	Trimmer potentiometer, 3362P type	
FUZZ	A500K	16mm right-angle PCB mount pot	

# Ginormous Fuzz

Schematic Diagram





# Ginormous Fuzz

Drill Template  
125B Enclosure

