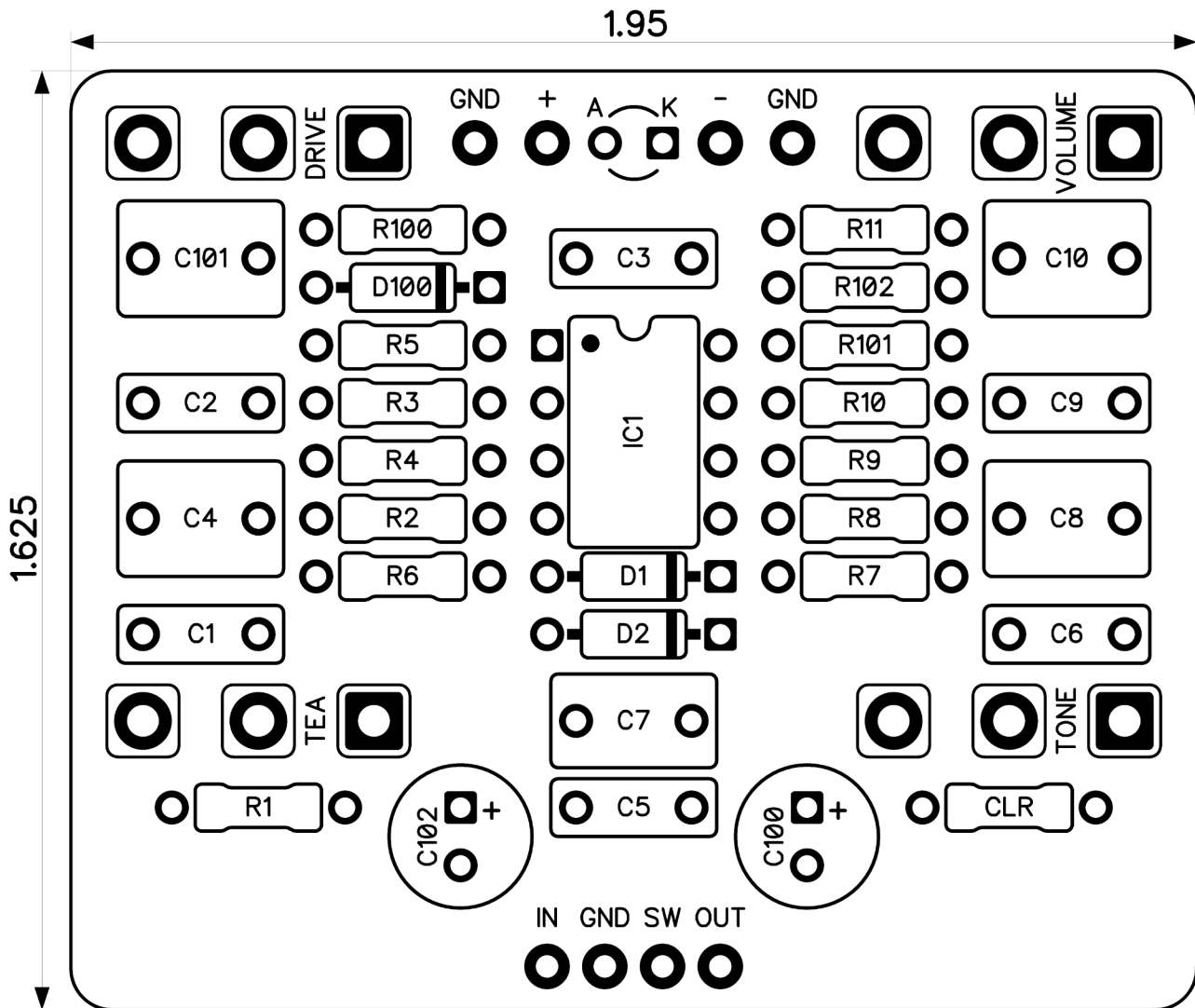


# PedalPCB

## Genmaicha Overdrive

Revised 1/3/24



### CONTROLS AND FEATURES

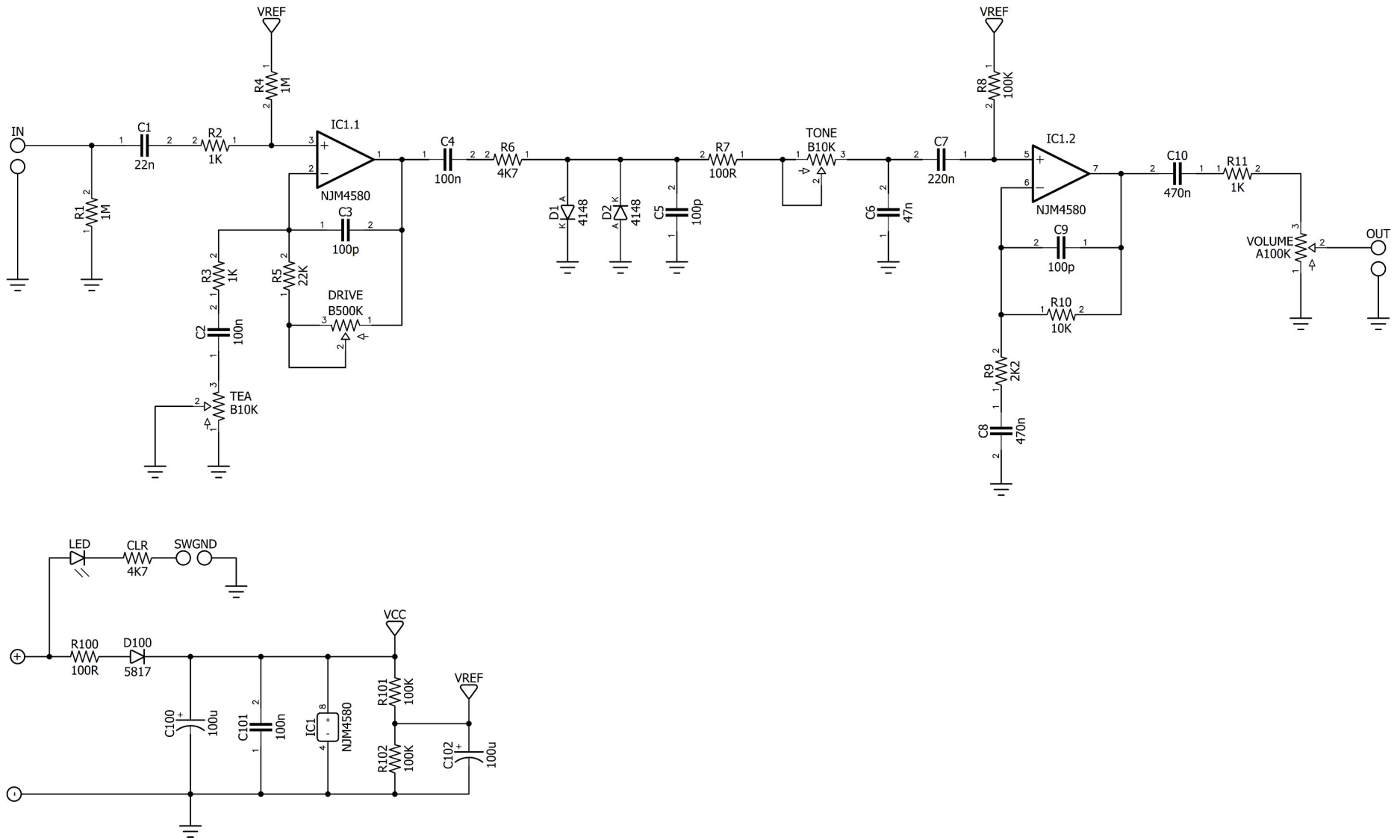
- Volume
- Drive
- Tone
- Tea

All trademarks and registered trademarks are the property of their respective owners. The company, product, and service names used in this web site are for identification purposes only. Use of these names, logos, and brands does not imply endorsement.

LOCATION	VALUE	TYPE	NOTES
R1	1M	Resistor, 1/4W	
R2	1K	Resistor, 1/4W	
R3	1K	Resistor, 1/4W	
R4	1M	Resistor, 1/4W	
R5	22K	Resistor, 1/4W	
R6	4K7	Resistor, 1/4W	
R7	100R	Resistor, 1/4W	
R8	100K	Resistor, 1/4W	
R9	2K2	Resistor, 1/4W	
R10	10K	Resistor, 1/4W	
R11	1K	Resistor, 1/4W	
R100	100R	Resistor, 1/4W	
R101	100K	Resistor, 1/4W	
R102	100K	Resistor, 1/4W	
R102	100K	Resistor, 1/4W	
CLR	4K7	Resistor, 1/4W	* LED current limiting resistor
C1	22n	Film capacitor, 7.2 x 2.5mm	
C2	100n	Film capacitor, 7.2 x 2.5mm	
C3	100p	Ceramic capacitor	
C4	100n	Film capacitor, 7.2 x 2.5mm	
C5	100p	Ceramic capacitor	
C6	47n	Film capacitor, 7.2 x 2.5mm	
C7	220n	Film capacitor, 7.2 x 5.0mm	
C8	470n	Film capacitor, 7.2 x 5.0mm	
C9	100p	Ceramic capacitor	
C10	470n	Film capacitor, 7.2 x 5.0mm	
C100	100u	Electrolytic capacitor, 5mm	
C101	100n	Film capacitor, 7.2 x 2.5mm	
C102	100u	Electrolytic capacitor, 5mm	
D1	1N4148	Signal diode, DO-35	
D2	1N4148	Signal diode, DO-35	
D100	1N5817	Schottky diode, DO-41	
IC1	NJM4580	Dual op-amp, DIP8	
VOLUME	A100K	16mm right-angle PCB mount pot	
DRIVE	B500K	16mm right-angle PCB mount pot	
TEA	B10K	16mm right-angle PCB mount pot	
TONE	B10K	16mm right-angle PCB mount pot	

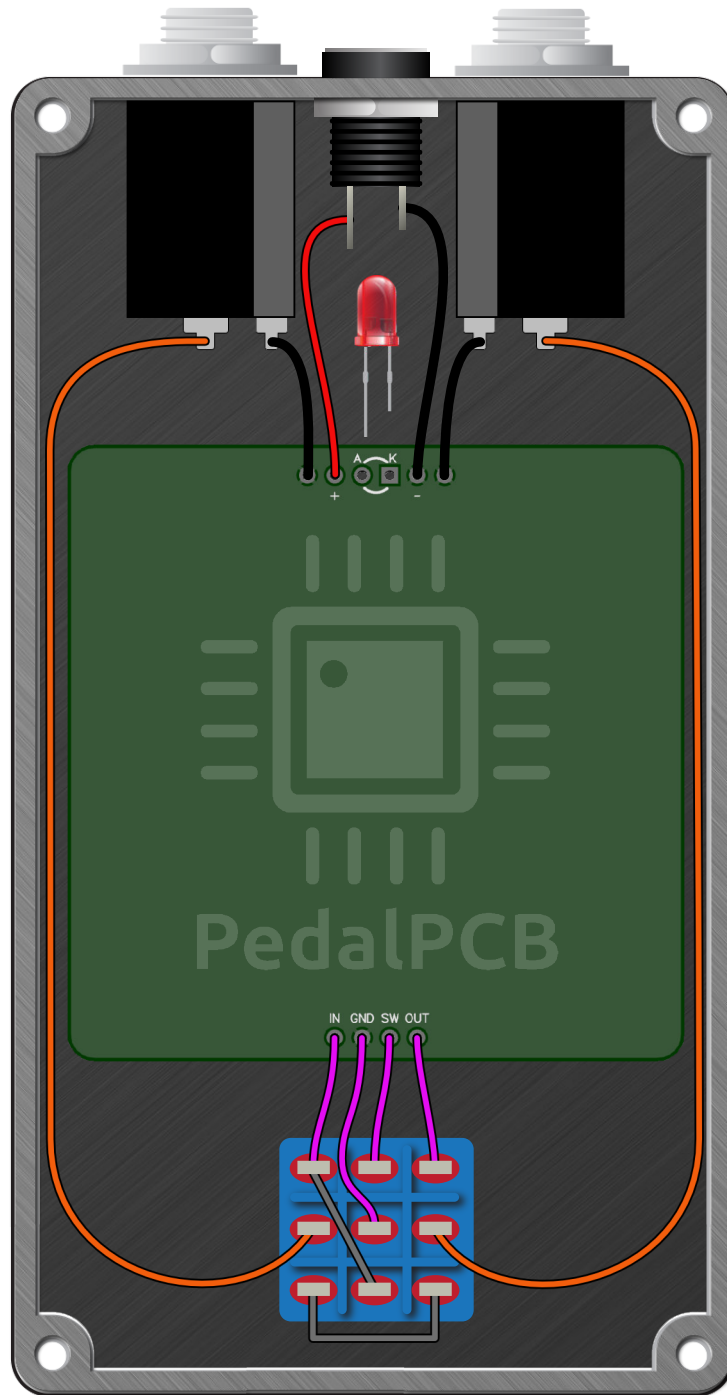
# Genmaicha Overdrive

Schematic Diagram



# Genmaicha Overdrive

Wiring Diagram



# Genmaicha Overdrive

Drill Template  
125B Enclosure

