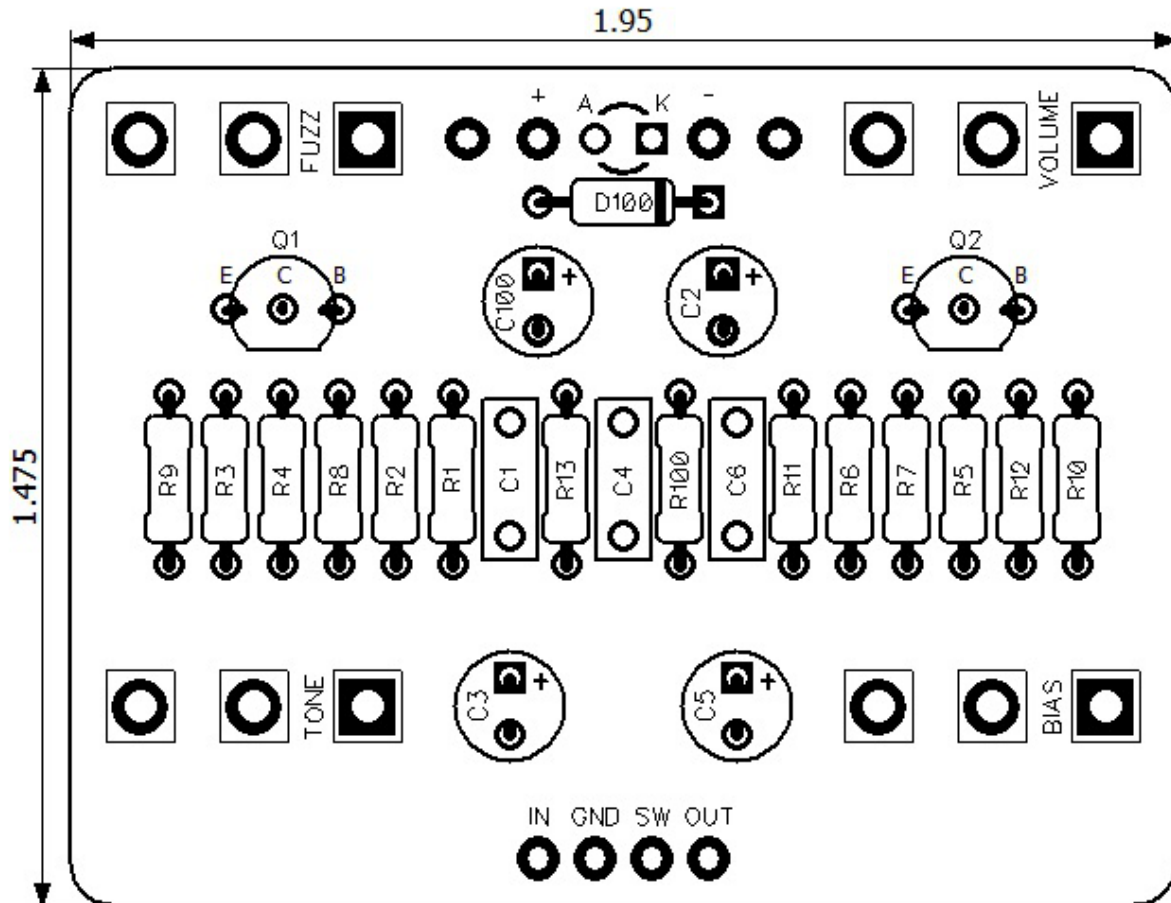




PedalPCB

Fuzz Stain

Revised 8/13/21



CONTROLS AND FEATURES

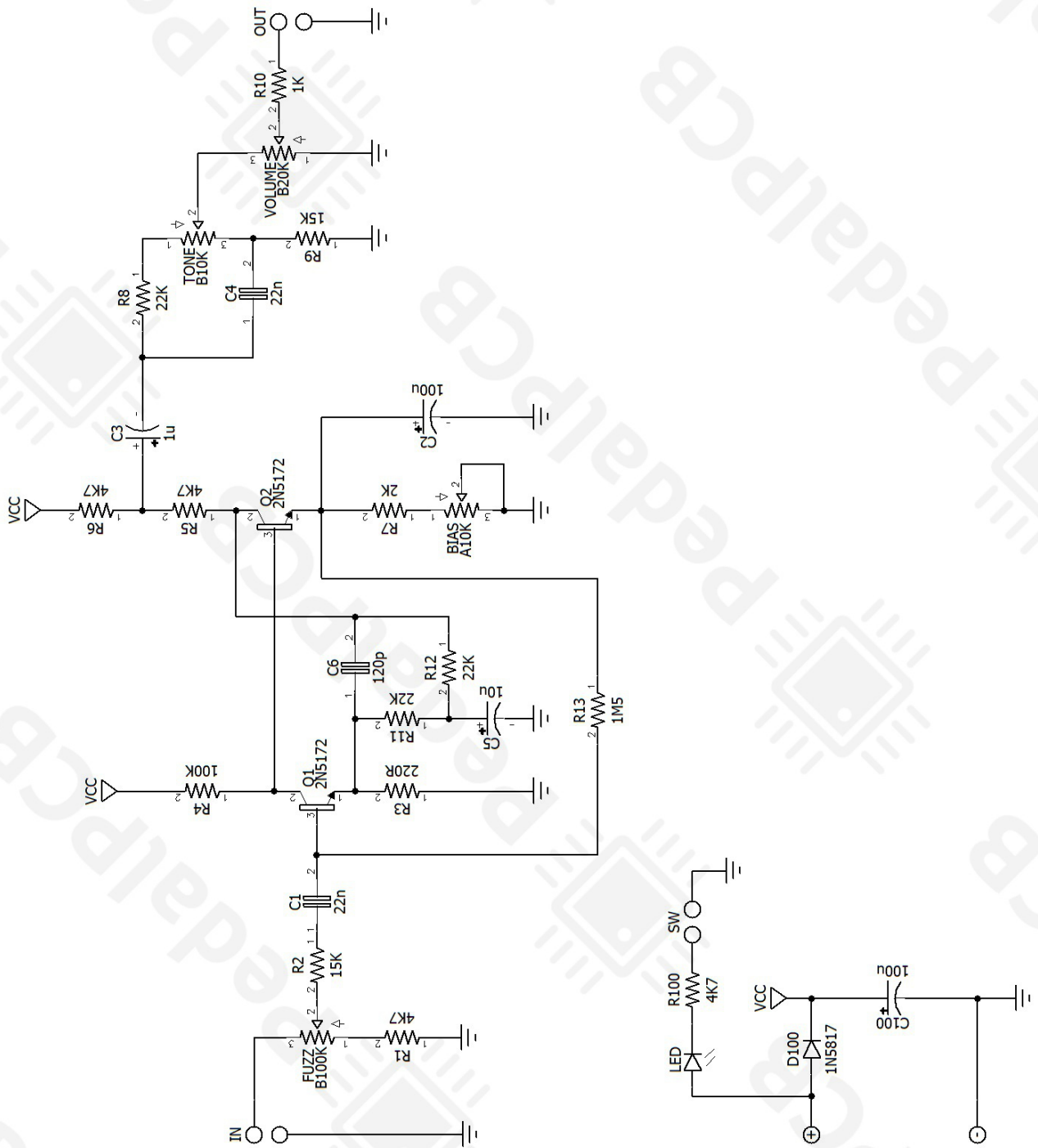
- Volume
- Fuzz
- Bias
- Tone

All trademarks and registered trademarks are the property of their respective owners. The company, product, and service names used in this web site are for identification purposes only. Use of these names, logos, and brands does not imply endorsement.

LOCATION	VALUE	TYPE	NOTES
R1	4K7	Resistor, 1/4W	
R2	15K	Resistor, 1/4W	
R3	220R	Resistor, 1/4W	
R4	100K	Resistor, 1/4W	
R5	4K7	Resistor, 1/4W	
R6	4K7	Resistor, 1/4W	
R7	2K	Resistor, 1/4W	
R8	22K	Resistor, 1/4W	
R9	15K	Resistor, 1/4W	
R10	1K	Resistor, 1/4W	
R11	22K	Resistor, 1/4W	
R12	22K	Resistor, 1/4W	
R13	1M5	Resistor, 1/4W	
R100	4K7	Resistor, 1/4W	
C1	22n	Film capacitor, 7.2 x 2.5mm	
C2	100u	Electrolytic capacitor, 5mm	
C3	1u	Electrolytic capacitor, 5mm	
C4	22n	Film capacitor, 7.2 x 2.5mm	
C5	10u	Electrolytic capacitor, 5mm	
C6	120p	Ceramic capacitor	
C100	100u	Electrolytic capacitor, 5mm	
D100	1N5817	Schottky diode, DO-41	
Q1	2N5172	BJT transistor, NPN TO-92	
Q2	2N5172	BJT transistor, NPN TO-92	
VOLUME	B20K	16mm right-angle PCB mount pot	
FUZZ	B100K	16mm right-angle PCB mount pot	
BIAS	A10K	16mm right-angle PCB mount pot	
TONE	B10K	16mm right-angle PCB mount pot	

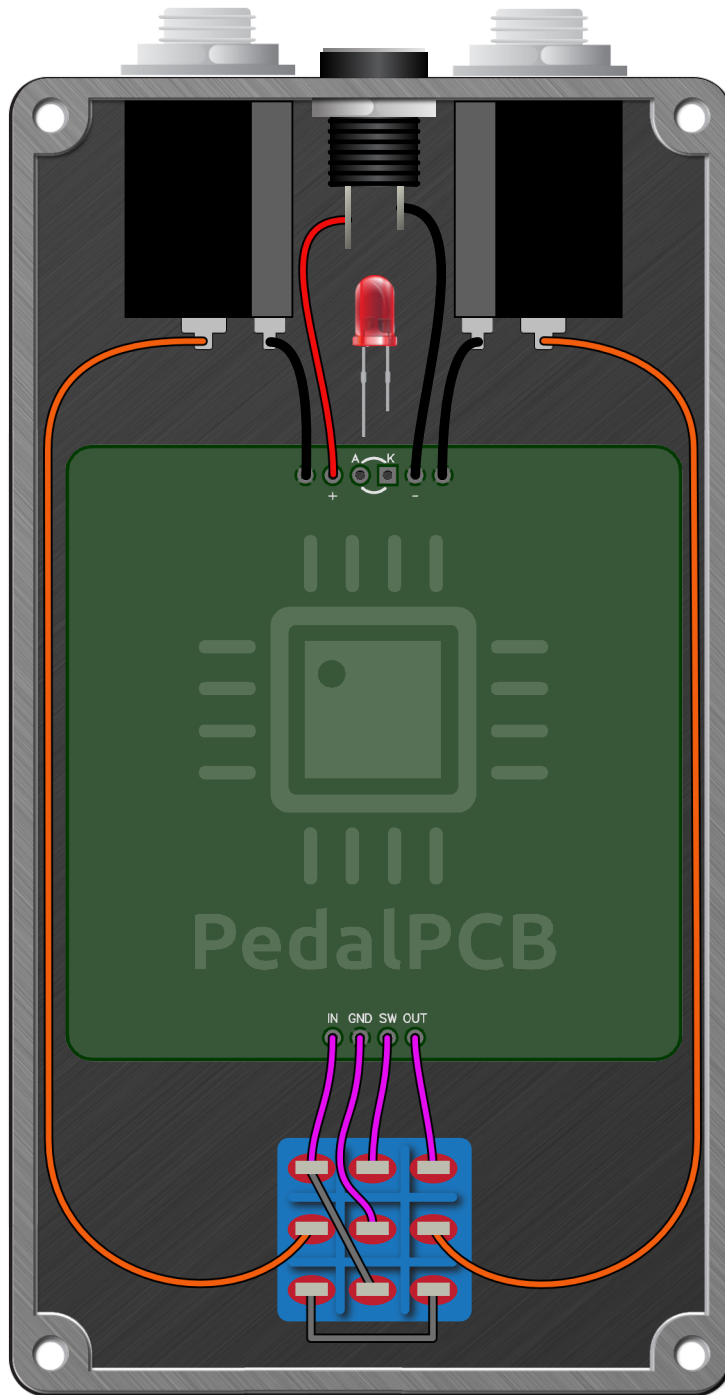
Fuzz Stain

Schematic Diagram



Fuzz Stain

Wiring Diagram



Fuzz Stain

Drill Template
125B Enclosure

