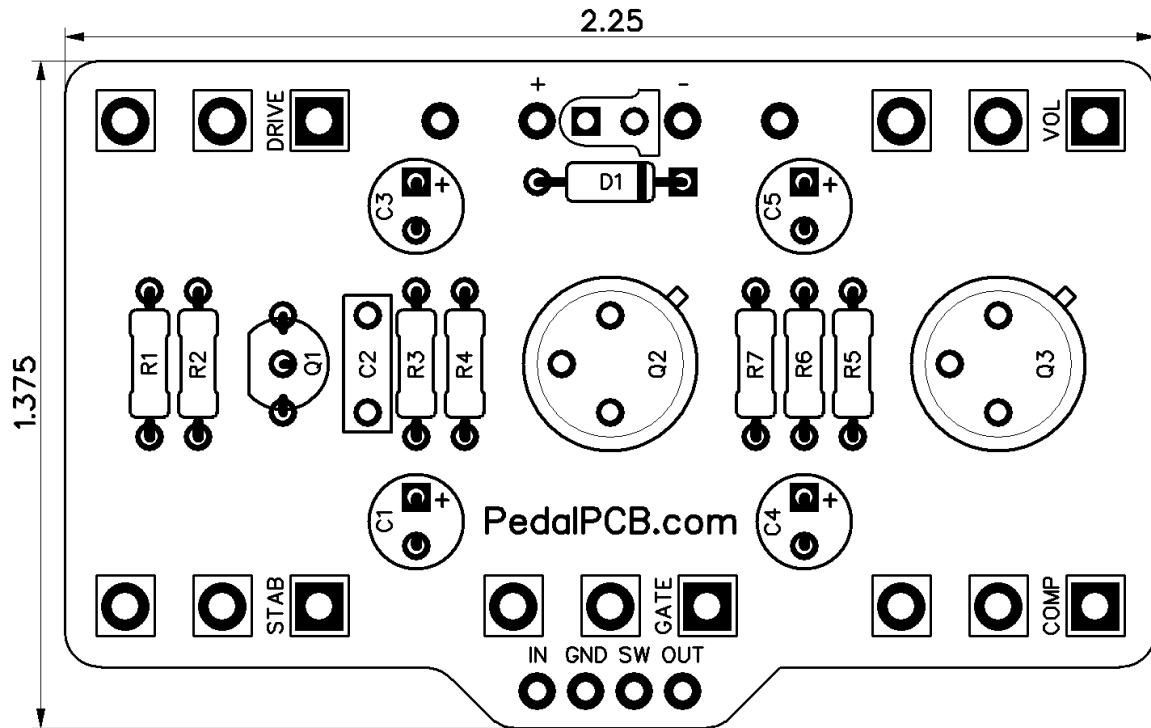


# Fuzz Foundry

Revision 11.04.17



## Resistors

R1	220K
R2	10K
R3	47K
R4	470
R5	5.1K
R6	220K
R7	4K7

## Capacitors

C1	10uF
C2	100nF
C3	10uF
C4	10uF
C5	47uF

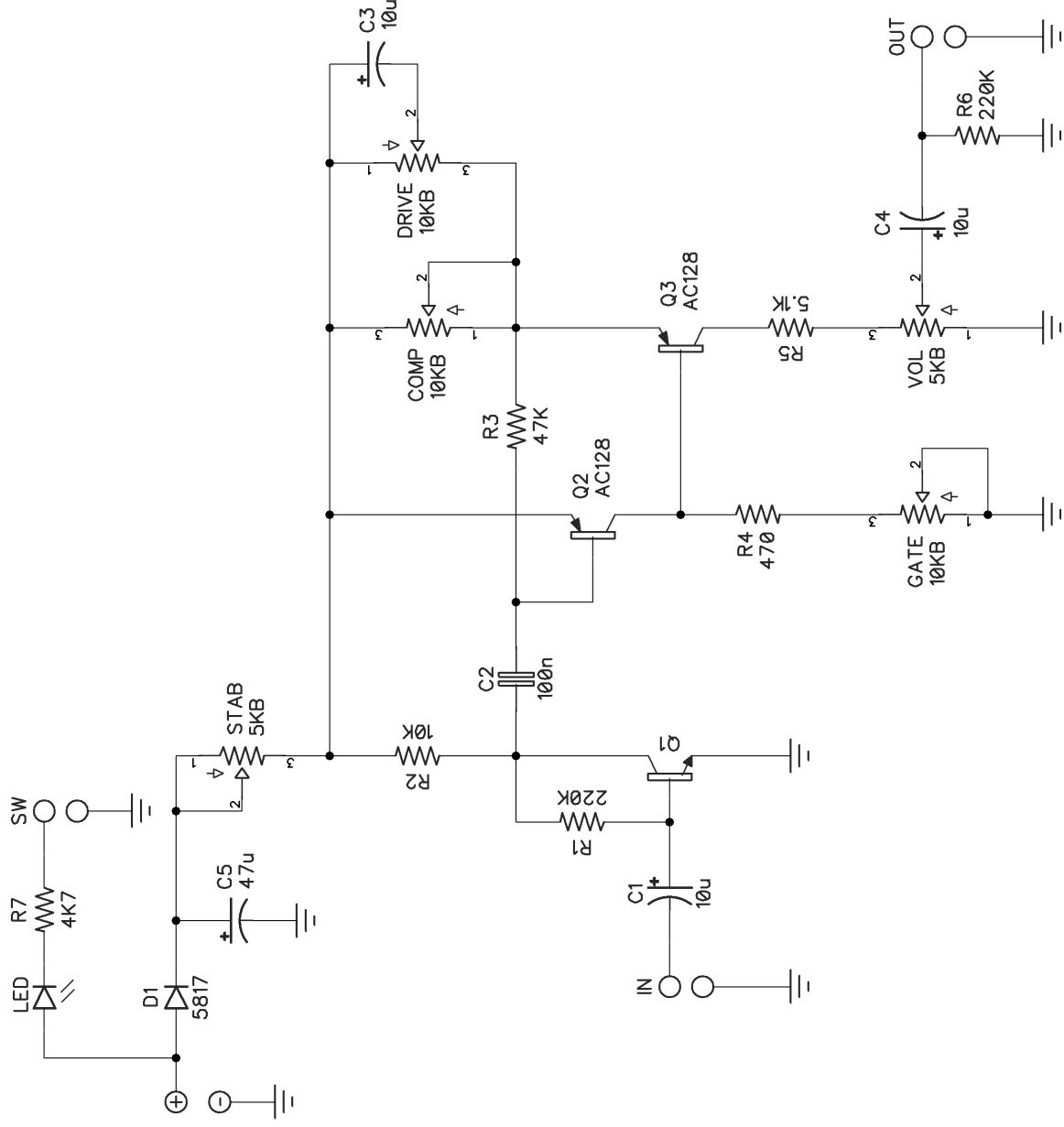
## Semiconductors

Q1	2N3904
Q2	AC128
Q3	AC128
D1	1N5817
LED	3mm

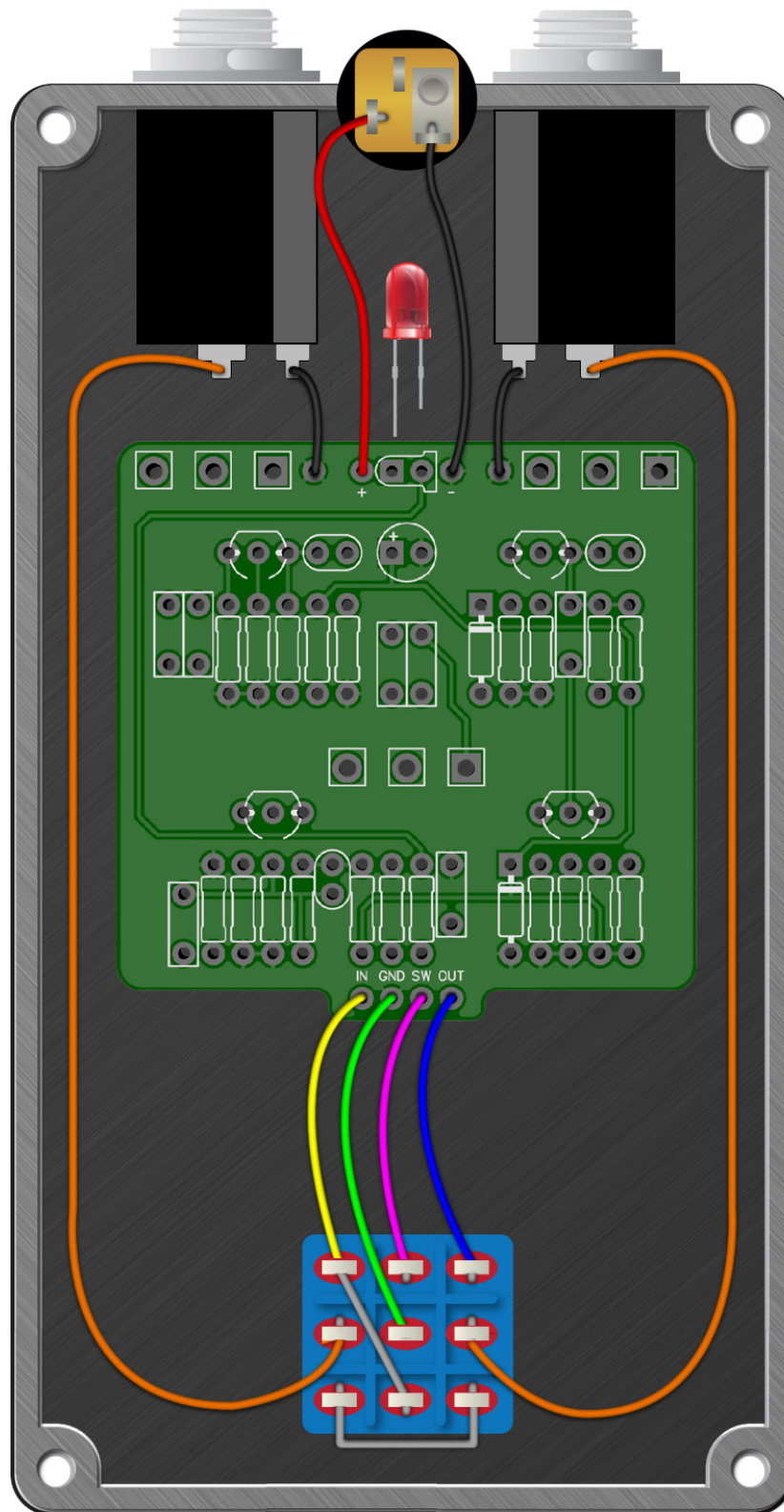
## Potentiometers

COMP	B10K
DRIVE	B10K
GATE	B10K
STAB	B5K
VOL	B5K

# Fuzz Foundry



# Wiring Diagram



# Drill Template

4S125B enclosure with top mounted jacks

