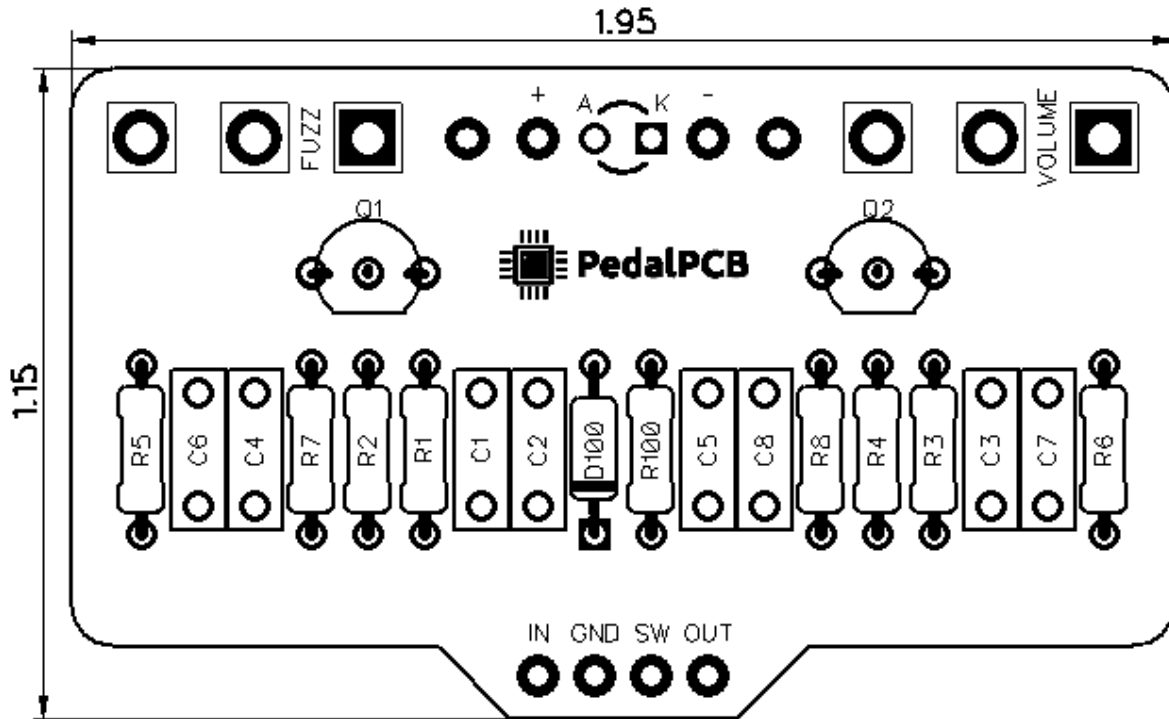




# PedalPCB

## Friendly Fire Fuzz

Revision 08.31.19



### Controls

- Volume
- Fuzz

All trademarks and registered trademarks are the property of their respective owners. The company, product, and service names used in this web site are for identification purposes only. Use of these names, logos, and brands does not imply endorsement.

# Friendly Fire Fuzz

## Parts List

**RESISTORS (1/4W)**

R1 2M2  
R2 22K  
R3 1M2  
R4 47K  
R5 10K  
R6 15K  
R7 2M2  
R8 100K  
R100 4K7

**CAPACITORS**

C1 47n  
C2 1n  
C3 47n  
C4 2n2  
C5 3n3  
C6 1n  
C7 100n  
C8 47n

**TRANSISTORS**

Q1 2SC536  
Q2 2SC536

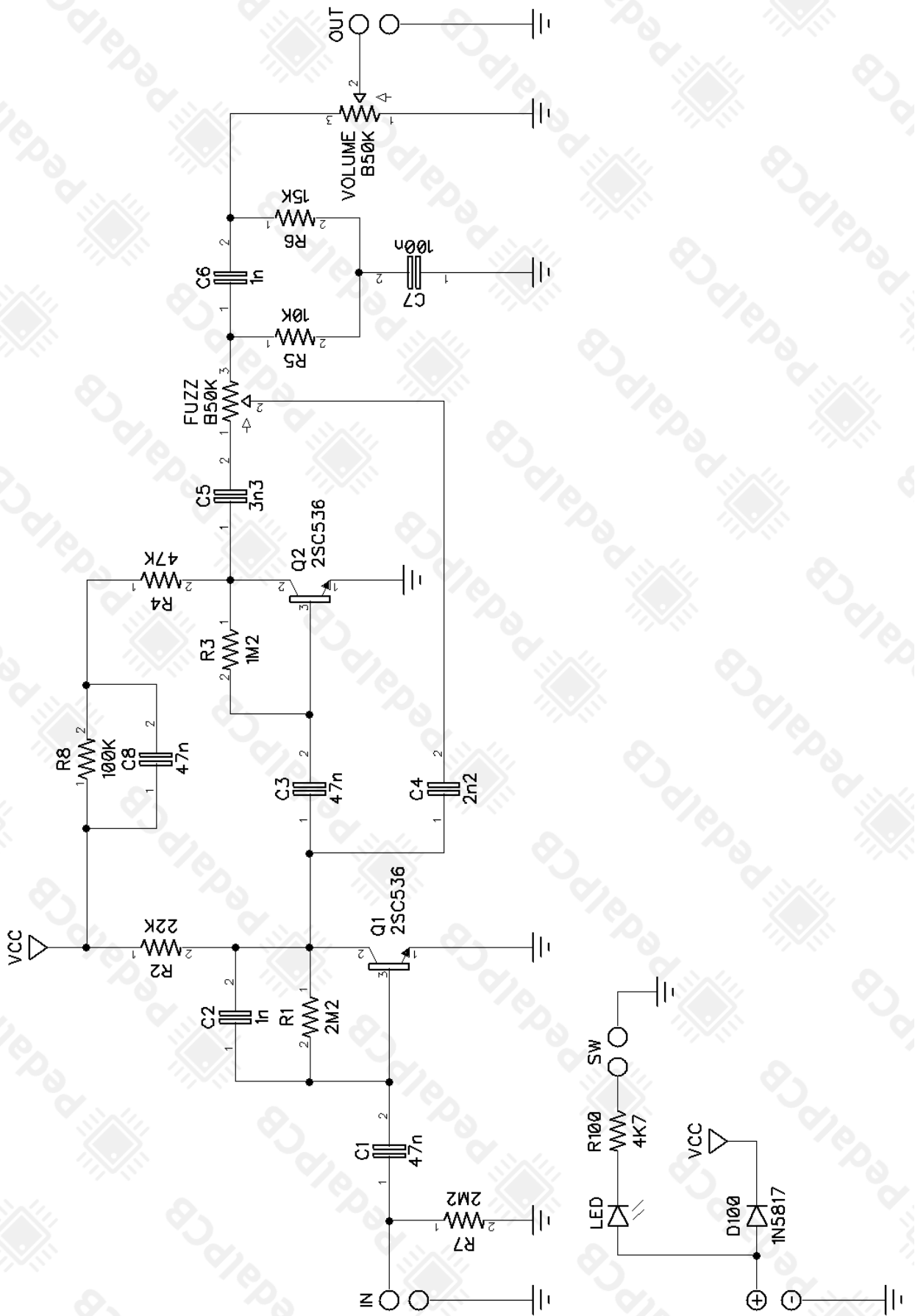
**DIODES**

D100 1N5817

**POTENTIOMETERS**

FUZZ B50K  
VOLUME B50K

# Friendly Fire Fuzz



# Friendly Fire Fuzz

Wiring Diagram



# Friendly Fire Fuzz

Drill Template  
125B enclosure with top mounted jacks

