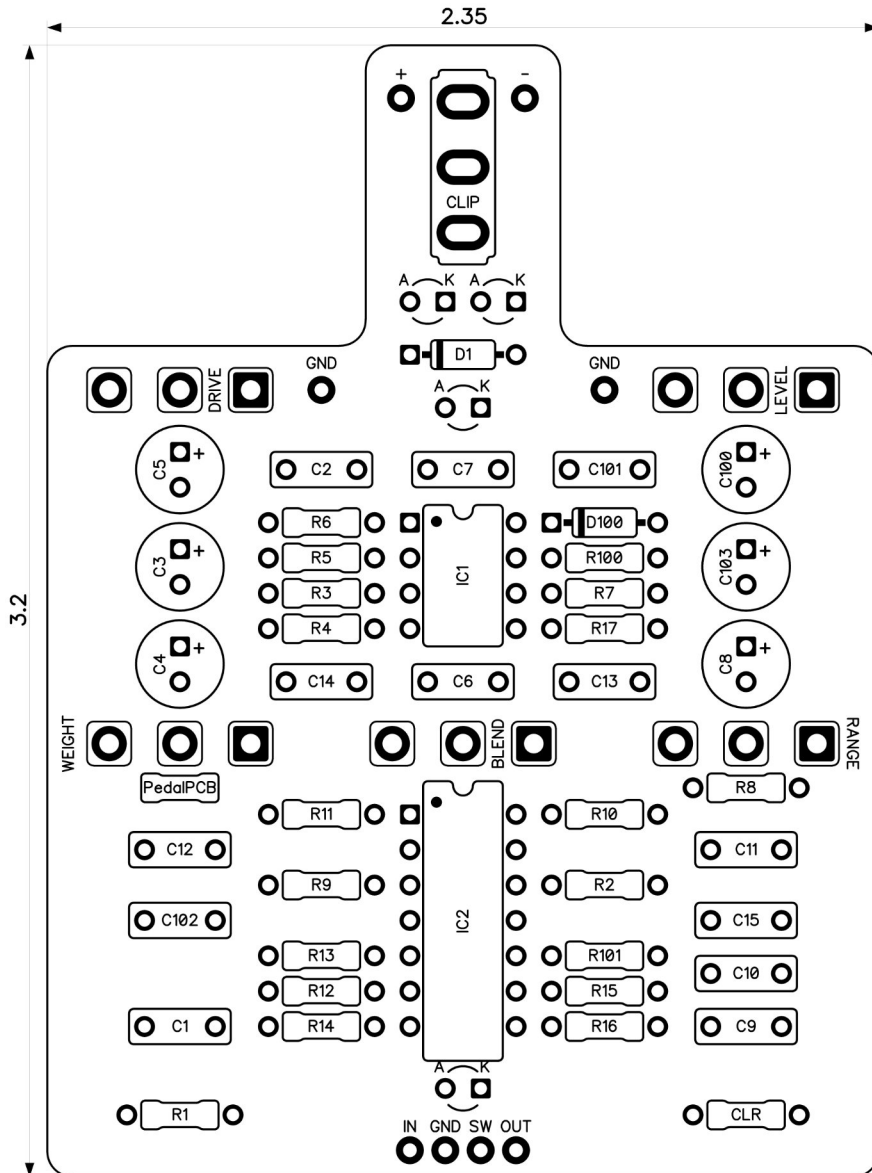


PedalPCB

Frajeelay Distortion

Revised 1/1/24



CONTROLS AND FEATURES

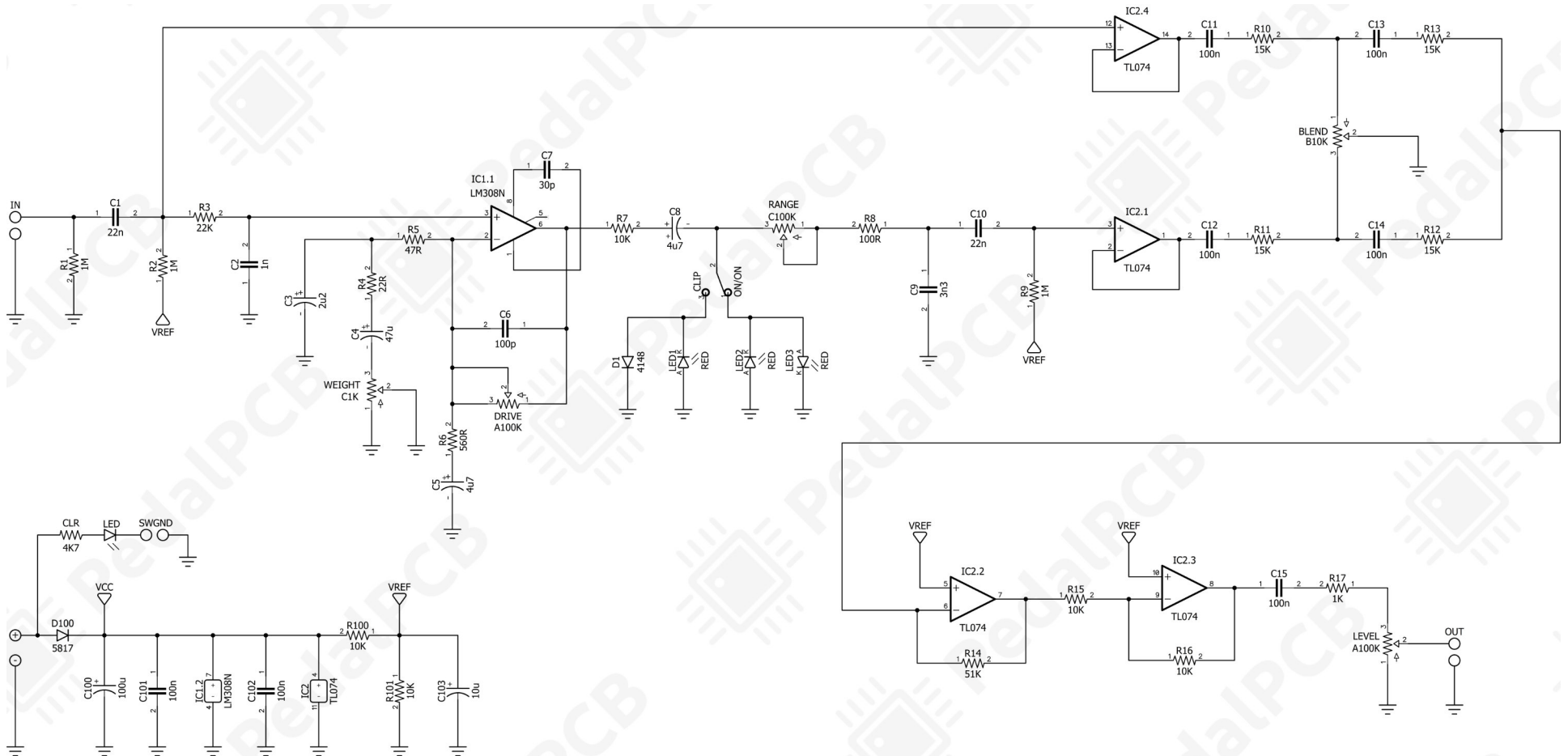
- Level
- Drive
- Range
- Blend
- Weight
- Clip (Toggle switch)

All trademarks and registered trademarks are the property of their respective owners. The company, product, and service names used in this web site are for identification purposes only. Use of these names, logos, and brands does not imply endorsement.

LOCATION	VALUE	TYPE	NOTES
R1	1M	Resistor, 1/4W	
R2	1M	Resistor, 1/4W	
R3	22K	Resistor, 1/4W	
R4	22R	Resistor, 1/4W	
R5	47R	Resistor, 1/4W	
R6	560R	Resistor, 1/4W	
R7	10K	Resistor, 1/4W	
R8	100R	Resistor, 1/4W	
R9	1M	Resistor, 1/4W	
R10	15K	Resistor, 1/4W	
R11	15K	Resistor, 1/4W	
R12	15K	Resistor, 1/4W	
R13	15K	Resistor, 1/4W	
R14	51K	Resistor, 1/4W	
R15	10K	Resistor, 1/4W	
R16	10K	Resistor, 1/4W	
R17	1K	Resistor, 1/4W	
R100	10K	Resistor, 1/4W	
R101	10K	Resistor, 1/4W	
CLR	4K7	Resistor, 1/4W	* LED current limiting resistor
C1	22n	Film capacitor, 7.2 x 2.5mm	
C2	1n	Film capacitor, 7.2 x 2.5mm	
C3	2u2	Electrolytic capacitor, 5mm	
C4	47u	Electrolytic capacitor, 5mm	
C5	4u7	Electrolytic capacitor, 5mm	
C6	100p	Ceramic capacitor	
C7	30p	Ceramic capacitor	
C8	4u7	Electrolytic capacitor, 5mm	
C9	3n3	Film capacitor, 7.2 x 2.5mm	
C10	22n	Film capacitor, 7.2 x 2.5mm	
C11	100n	Film capacitor, 7.2 x 2.5mm	
C12	100n	Film capacitor, 7.2 x 2.5mm	
C13	100n	Film capacitor, 7.2 x 2.5mm	
C14	100n	Film capacitor, 7.2 x 2.5mm	
C15	100n	Film capacitor, 7.2 x 2.5mm	
C100	100u	Electrolytic capacitor, 5mm	
C101	100n	Film capacitor, 7.2 x 2.5mm	
C102	100n	Film capacitor, 7.2 x 2.5mm	
C103	10u	Electrolytic capacitor, 5mm	
D1	1N4148	Signal diode, DO-35	
D100	1N5817	Schottky diode, DO-41	
LED1	RED	3mm Red LED, Diffused	
LED2	RED	3mm Red LED, Diffused	
LED3	RED	3mm Red LED, Diffused	
IC1	LM308N	Single op-amp, DIP8	
IC2	TL074	Quad op-amp, DIP14	
LEVEL	A100K	16mm right-angle PCB mount pot	
DRIVE	A100K	16mm right-angle PCB mount pot	
RANGE	C100K	16mm right-angle PCB mount pot	
BLEND	B10K	16mm right-angle PCB mount pot	
WEIGHT	C1K	16mm right-angle PCB mount pot	
CLIP	ON/ON	Toggle switch, SPDT	2-position (ON/ON)

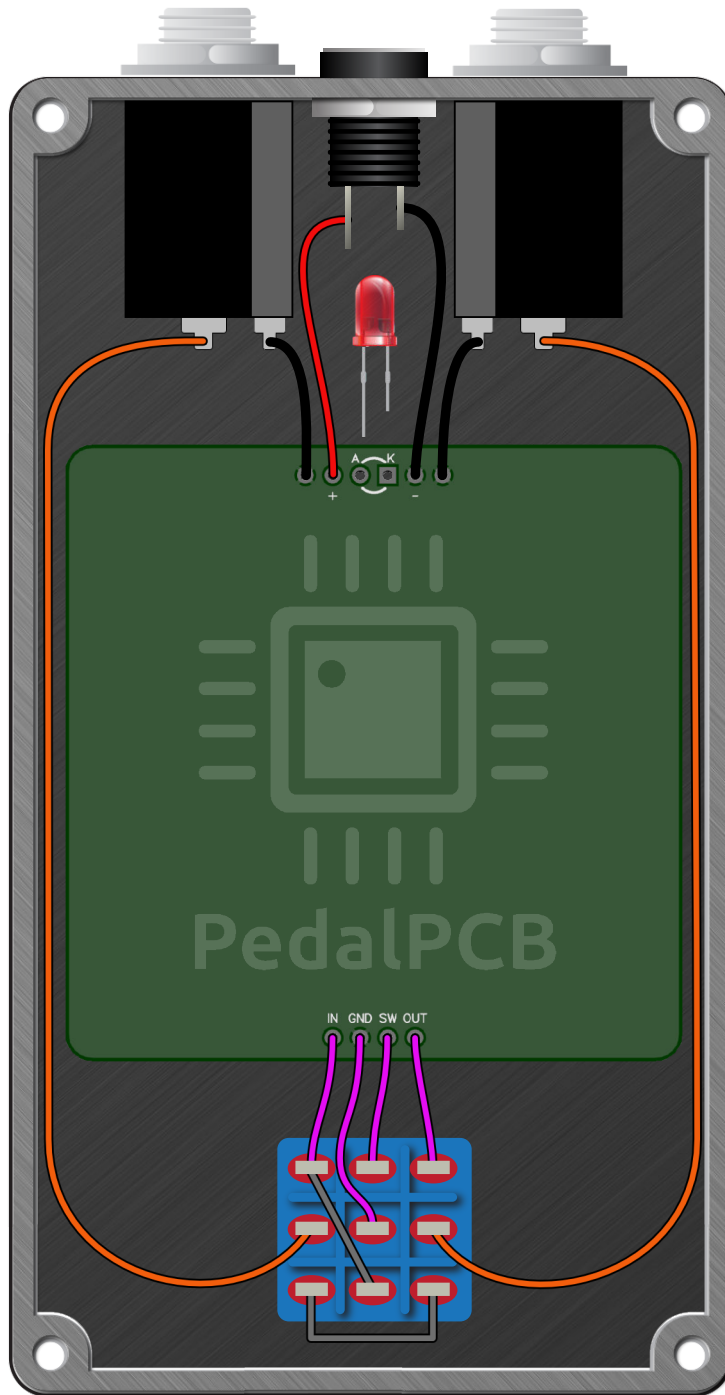
Frajeelay Distortion

Schematic Diagram



Frajeelay Distortion

Wiring Diagram



Frajeelay Distortion

Drill Template
125B Enclosure

