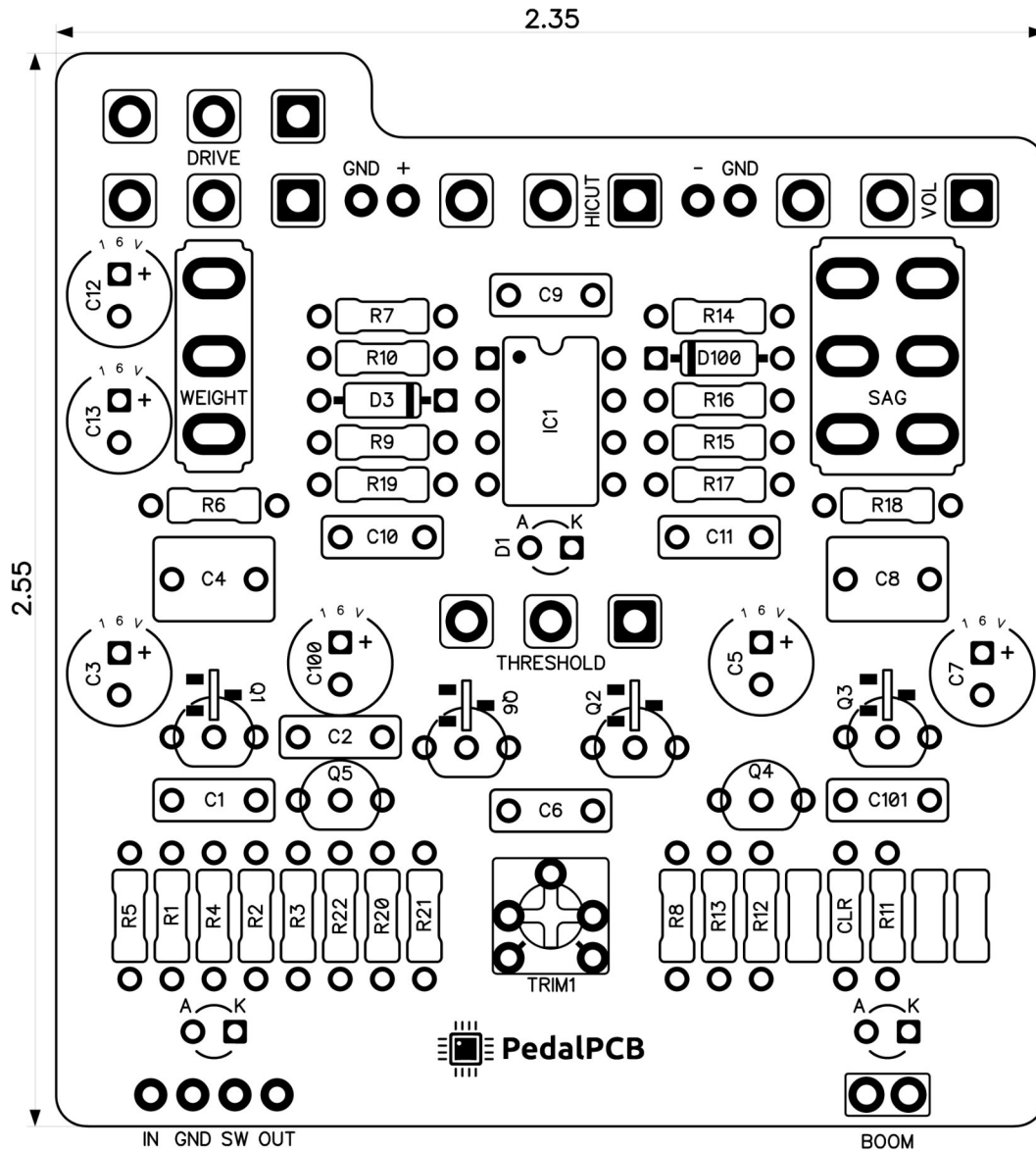


PedalPCB

Fornicus Overdrive

Revised 12/16/23



CONTROLS AND FEATURES

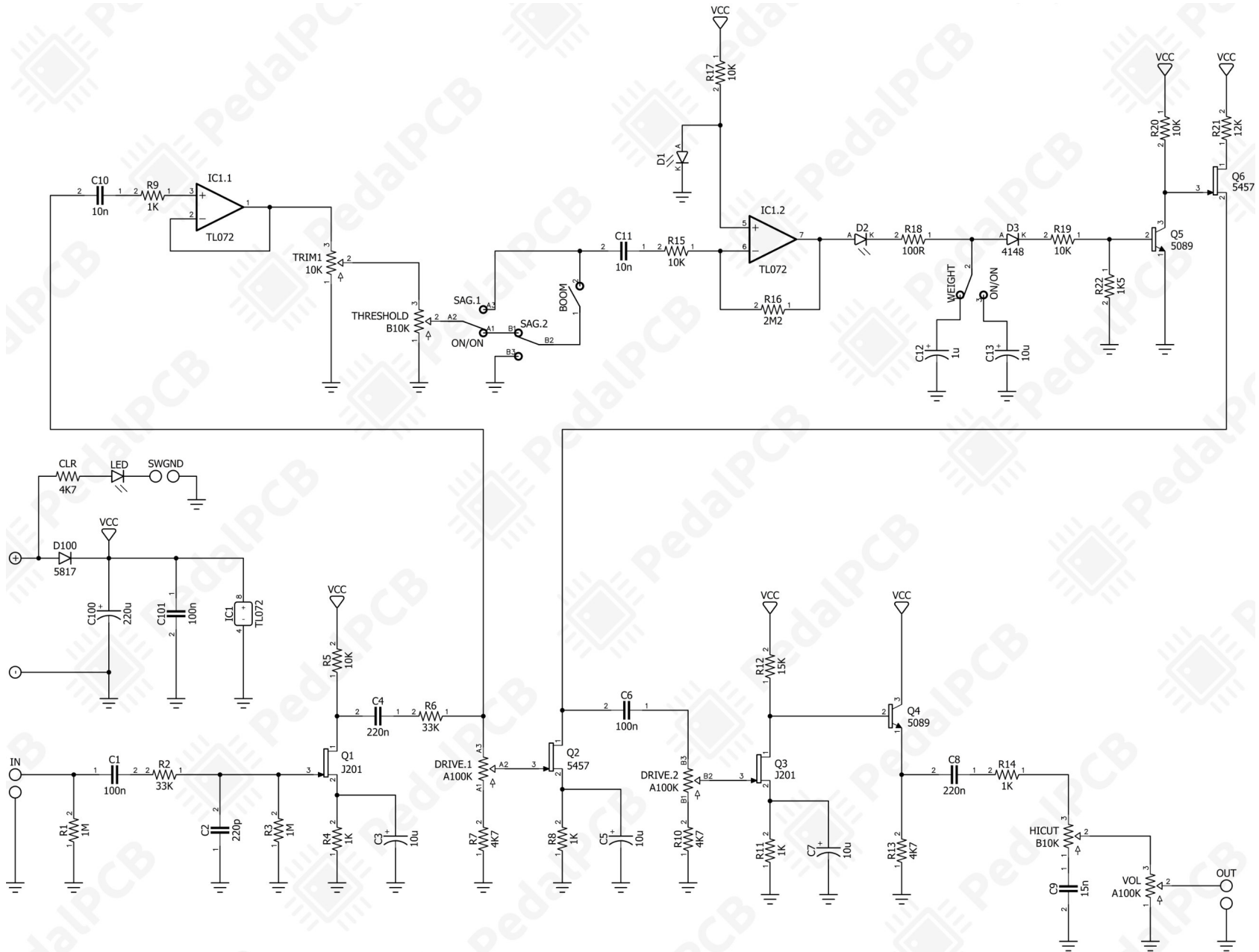
- Volume
- Hi-Cut
- Drive
- Threshold
- Sag (Toggle switch)
- Weight (Toggle switch)
- Active/Bypass (Foot switch)
- Boom (Momentary foot switch)

All trademarks and registered trademarks are the property of their respective owners. The company, product, and service names used in this web site are for identification purposes only. Use of these names, logos, and brands does not imply endorsement.

LOCATION	VALUE	TYPE	NOTES
R1	1M	Resistor, 1/4W	
R2	33K	Resistor, 1/4W	
R3	1M	Resistor, 1/4W	
R4	1K	Resistor, 1/4W	
R5	10K	Resistor, 1/4W	
R6	33K	Resistor, 1/4W	
R7	4K7	Resistor, 1/4W	
R8	1K	Resistor, 1/4W	
R9	1K	Resistor, 1/4W	
R10	4K7	Resistor, 1/4W	
R11	1K	Resistor, 1/4W	
R12	15K	Resistor, 1/4W	
R13	4K7	Resistor, 1/4W	
R14	1K	Resistor, 1/4W	
R15	10K	Resistor, 1/4W	
R16	2M2	Resistor, 1/4W	
R17	10K	Resistor, 1/4W	
R18	100R	Resistor, 1/4W	
R19	10K	Resistor, 1/4W	
R20	10K	Resistor, 1/4W	
R21	12K	Resistor, 1/4W	
R22	1K5	Resistor, 1/4W	
CLR	4K7	Resistor, 1/4W	* LED current limiting resistor
C1	100n	Film capacitor, 7.2 x 2.5mm	
C2	220p	Ceramic capacitor	
C3	10u	Electrolytic capacitor, 5mm	
C4	220n	Film capacitor, 7.2 x 5.0mm	
C5	10u	Electrolytic capacitor, 5mm	
C6	100n	Film capacitor, 7.2 x 5.0mm	
C7	10u	Electrolytic capacitor, 5mm	
C8	220n	Film capacitor, 7.2 x 5.0mm	
C9	15n	Film capacitor, 7.2 x 5.0mm	
C10	10n	Film capacitor, 7.2 x 5.0mm	
C11	10n	Film capacitor, 7.2 x 5.0mm	
C12	1u	Electrolytic capacitor, 5mm	
C13	10u	Electrolytic capacitor, 5mm	
C100	220u	Electrolytic capacitor, 5mm	
C101	100n	Film capacitor, 7.2 x 5.0mm	
D1	YELLOW	3mm Yellow LED, Diffused	(Internal)
D2	RED	3mm Red LED, Diffused	(External)
D3	1N4148	Signal diode, DO-35	
D100	1N5817	Schottky diode, DO-41	
Q1	J201	JFET transistor, N-channel	
Q2	2N5457	JFET transistor, N-channel	
Q3	J201	JFET transistor, N-channel	
Q4	2N5089	BJT transistor, NPN TO-92	
Q5	2N5089	BJT transistor, NPN TO-92	
Q6	2N5457	JFET transistor, N-channel	
IC1	TL072	Dual op-amp, DIP8	
VOL	A100K	16mm right-angle PCB mount pot	
HICUT	B10K	16mm right-angle PCB mount pot	
DRIVE	A100K DUAL	16mm right-angle PCB mount pot	Dual-gang potentiometer
THRESHOLD	B10K	16mm right-angle PCB mount pot	
TRIM1	10K	Trimmer potentiometer, 3362P type	
SAG	ON/ON	Toggle switch, DPDT	2-position (ON/ON)
WEIGHT	ON/ON	Toggle switch, SPDT	2-position (ON/ON)
BOOM	MOMENTARY	Momentary SPST Footswitch	Normally open

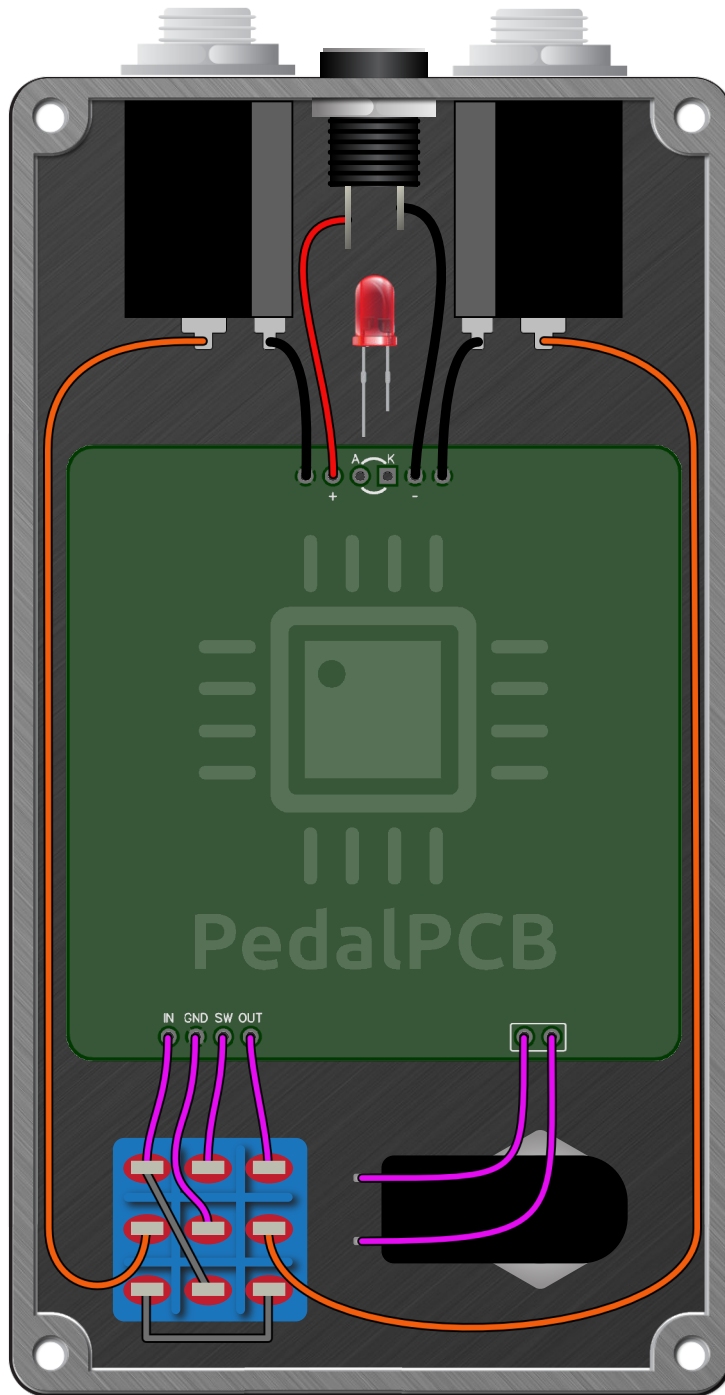
Fornicus Overdrive

Schematic Diagram



Fornicus Overdrive

Wiring Diagram



Fornicus Overdrive

Drill Template
125B Enclosure

