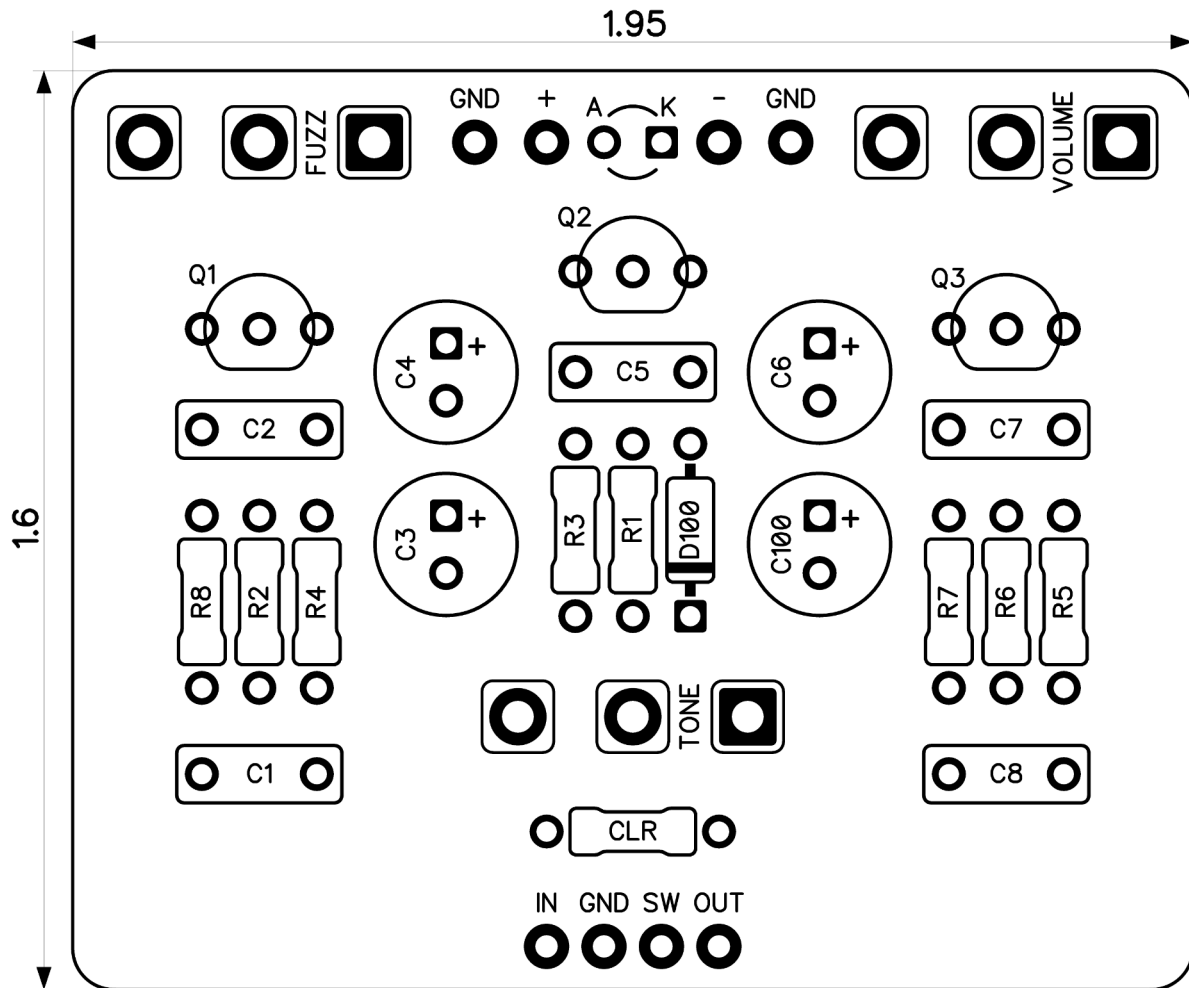




PedalPCB

Floozie Fuzz

Revised 3/16/25



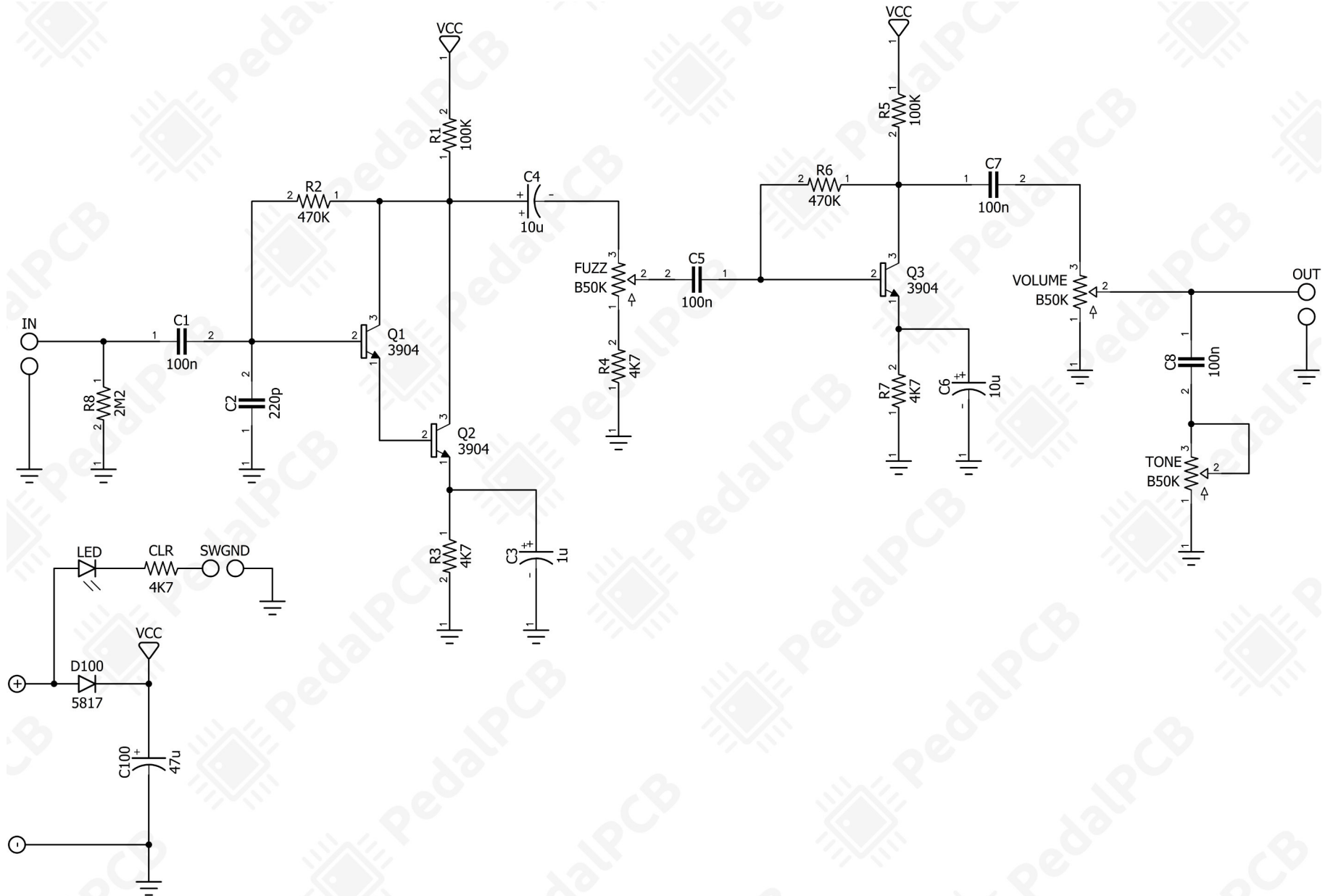
CONTROLS AND FEATURES

- Volume
- Tone
- Fuzz

All trademarks and registered trademarks are the property of their respective owners. The company, product, and service names used in this web site are for identification purposes only. Use of these names, logos, and brands does not imply endorsement.

Floozie Fuzz

Schematic Diagram





Floozie Fuzz

Drill Template
125B Enclosure

