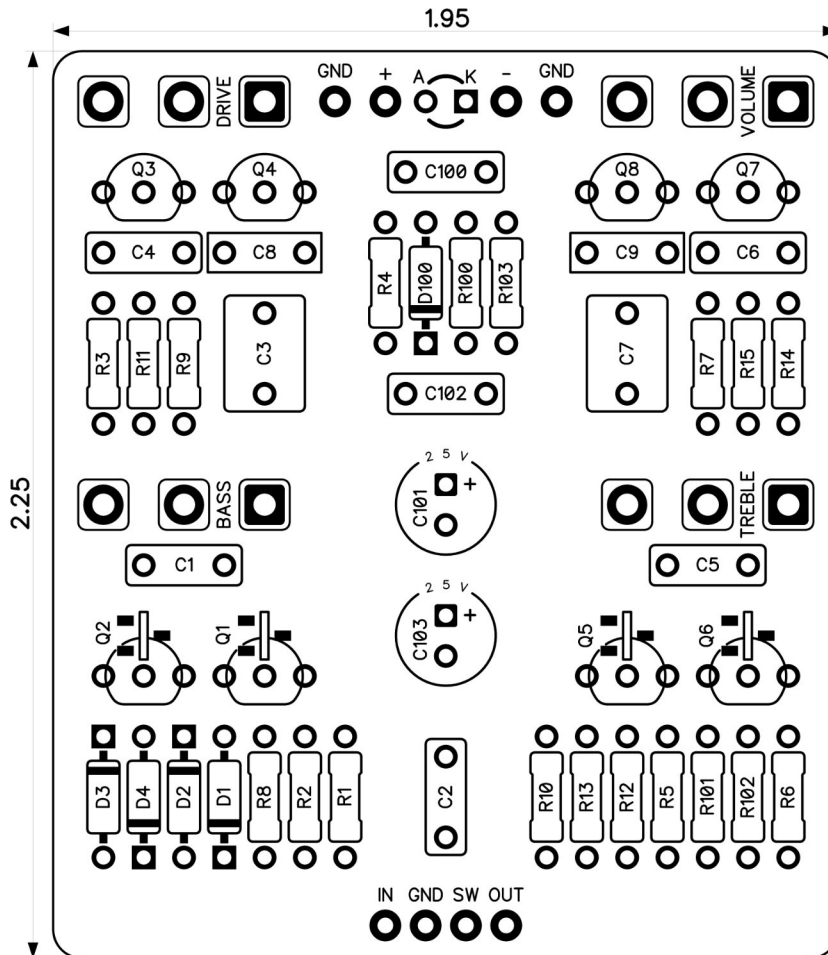


PedalPCB

Fingers Overdrive

Revised 8/15/23



CONTROLS AND FEATURES

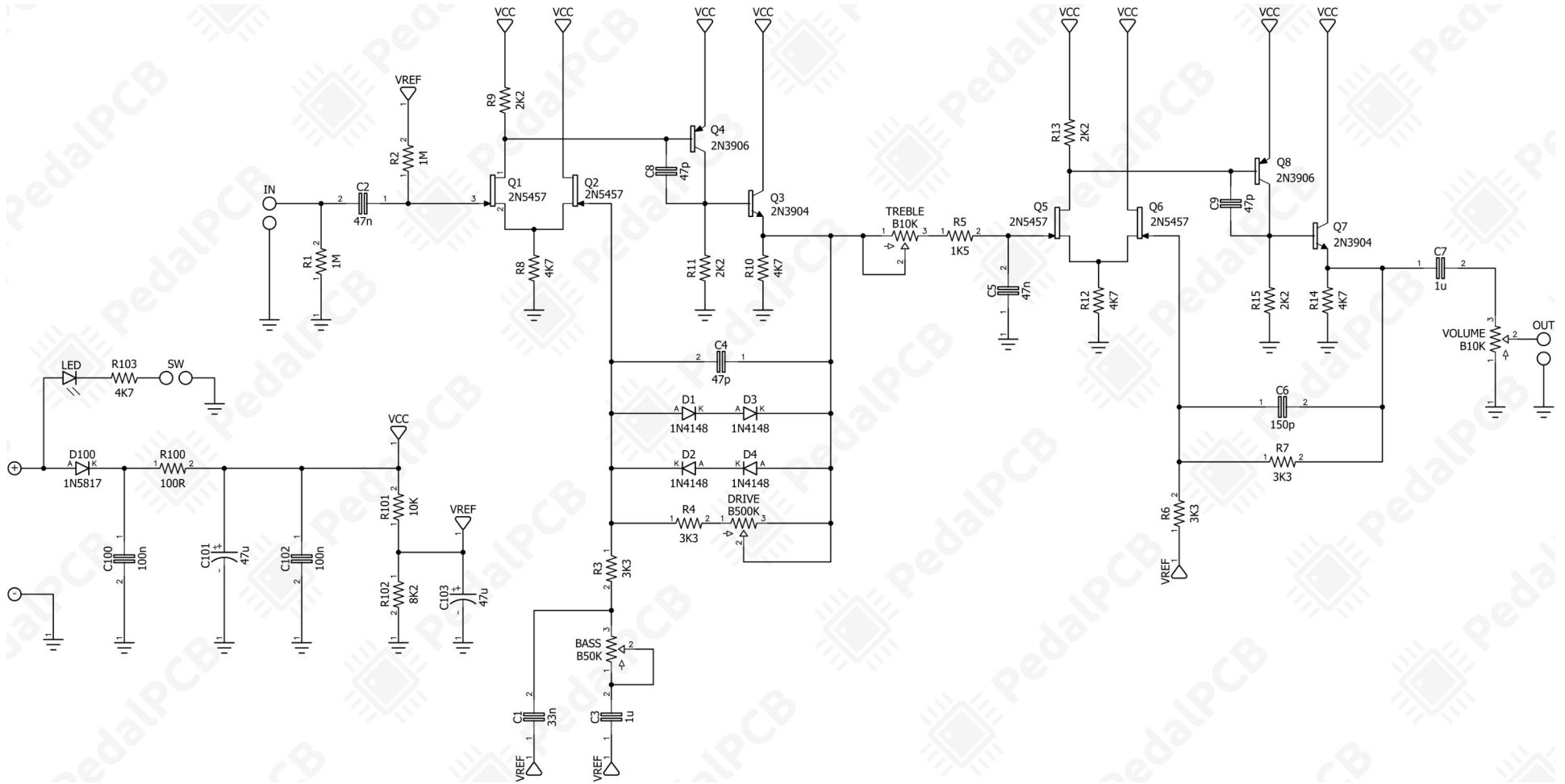
- Volume
- Drive
- Treble
- Bass

All trademarks and registered trademarks are the property of their respective owners. The company, product, and service names used in this web site are for identification purposes only. Use of these names, logos, and brands does not imply endorsement.

LOCATION	VALUE	TYPE	NOTES
R1	1M	Resistor, 1/4W	
R2	1M	Resistor, 1/4W	
R3	3K3	Resistor, 1/4W	
R4	3K3	Resistor, 1/4W	
R5	1K5	Resistor, 1/4W	
R6	3K3	Resistor, 1/4W	
R7	3K3	Resistor, 1/4W	
R8	4K7	Resistor, 1/4W	
R9	2K2	Resistor, 1/4W	
R10	4K7	Resistor, 1/4W	
R11	2K2	Resistor, 1/4W	
R12	4K7	Resistor, 1/4W	
R13	2K2	Resistor, 1/4W	
R14	4K7	Resistor, 1/4W	
R15	2K2	Resistor, 1/4W	
R100	100R	Resistor, 1/4W	
R101	10K	Resistor, 1/4W	
R102	8K2	Resistor, 1/4W	
R103	4K7	Resistor, 1/4W	* LED current limiting resistor
C1	33n	Film capacitor, 7.2 x 2.5mm	
C2	47n	Film capacitor, 7.2 x 2.5mm	
C3	1u	Film capacitor, 7.2 x 5.0mm	
C4	47p	Ceramic capacitor	
C5	47n	Film capacitor, 7.2 x 2.5mm	
C6	150p	Ceramic capacitor	
C7	1u	Film capacitor, 7.2 x 5.0mm	
C8	47p	Ceramic capacitor	
C9	47p	Ceramic capacitor	
C100	100n	Film capacitor, 7.2 x 2.5mm	
C101	47u	Electrolytic capacitor, 5mm	
C102	100n	Film capacitor, 7.2 x 2.5mm	
C103	47u	Electrolytic capacitor, 5mm	
D1	1N4148	Signal diode, DO-35	
D2	1N4148	Signal diode, DO-35	
D3	1N4148	Signal diode, DO-35	
D4	1N4148	Signal diode, DO-35	
D100	1N5817	Schottky diode, DO-41	
Q1	2N5457	JFET transistor, N-channel	
Q2	2N5457	JFET transistor, N-channel	
Q3	2N3904	BJT transistor, NPN TO-92	
Q4	2N3906	BJT transistor, PNP TO-92	
Q5	2N5457	JFET transistor, N-channel	
Q6	2N5457	JFET transistor, N-channel	
Q7	2N3904	BJT transistor, NPN TO-92	
Q8	2N3906	BJT transistor, PNP TO-92	
VOLUME	B10K	16mm right-angle PCB mount pot	
DRIVE	B500K	16mm right-angle PCB mount pot	
TREBLE	B10K	16mm right-angle PCB mount pot	
BASS	B50K	16mm right-angle PCB mount pot	

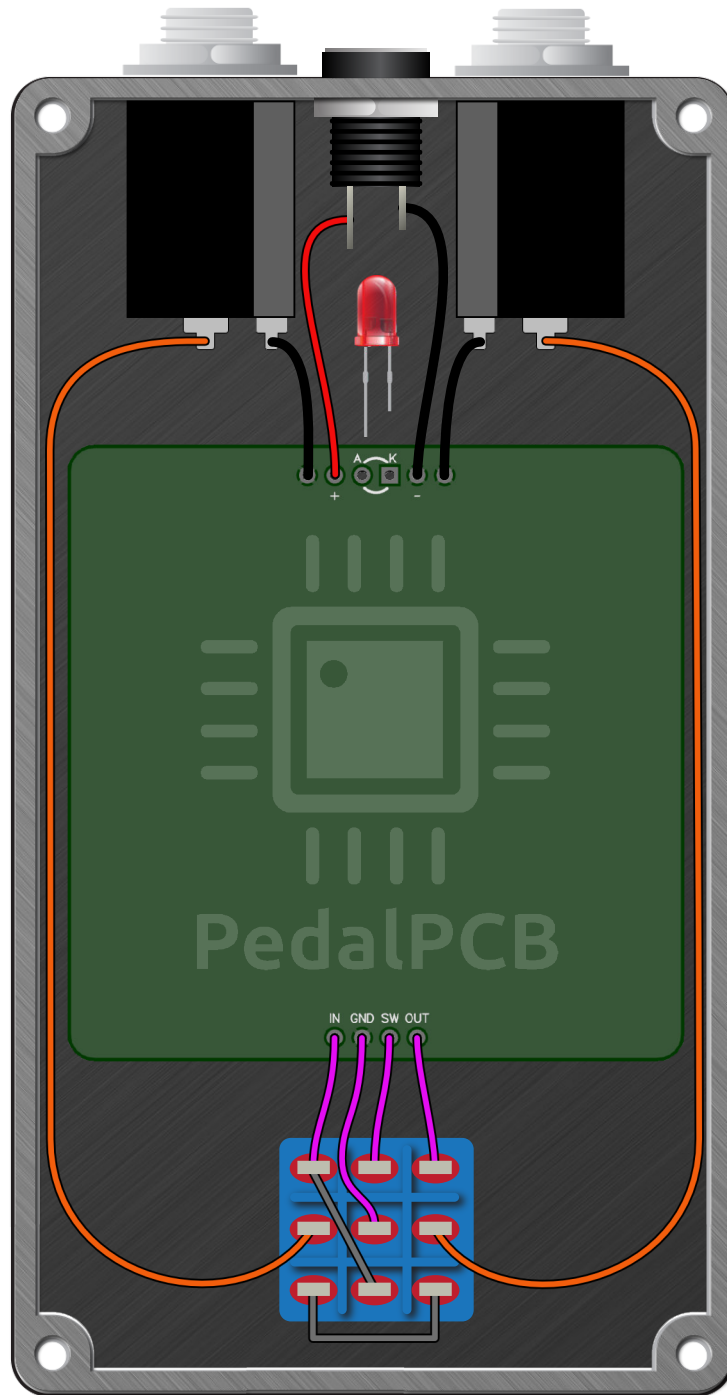
Fingers Overdrive

Schematic Diagram



Fingers Overdrive

Wiring Diagram



Fingers Overdrive

Drill Template
125B Enclosure

