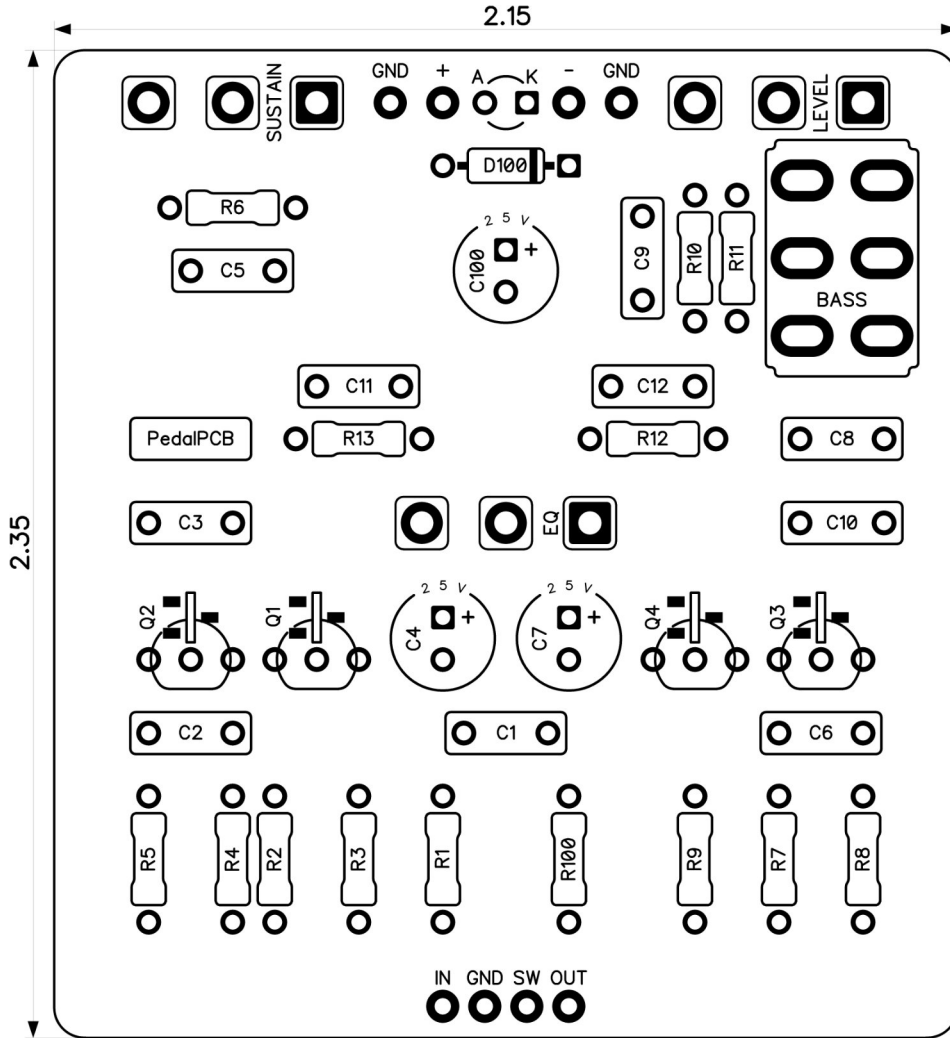


PedalPCB

Finale Overdrive

Revised 11/5/22



CONTROLS AND FEATURES

- Level
- EQ
- Sustain
- Bass (Toggle switch)

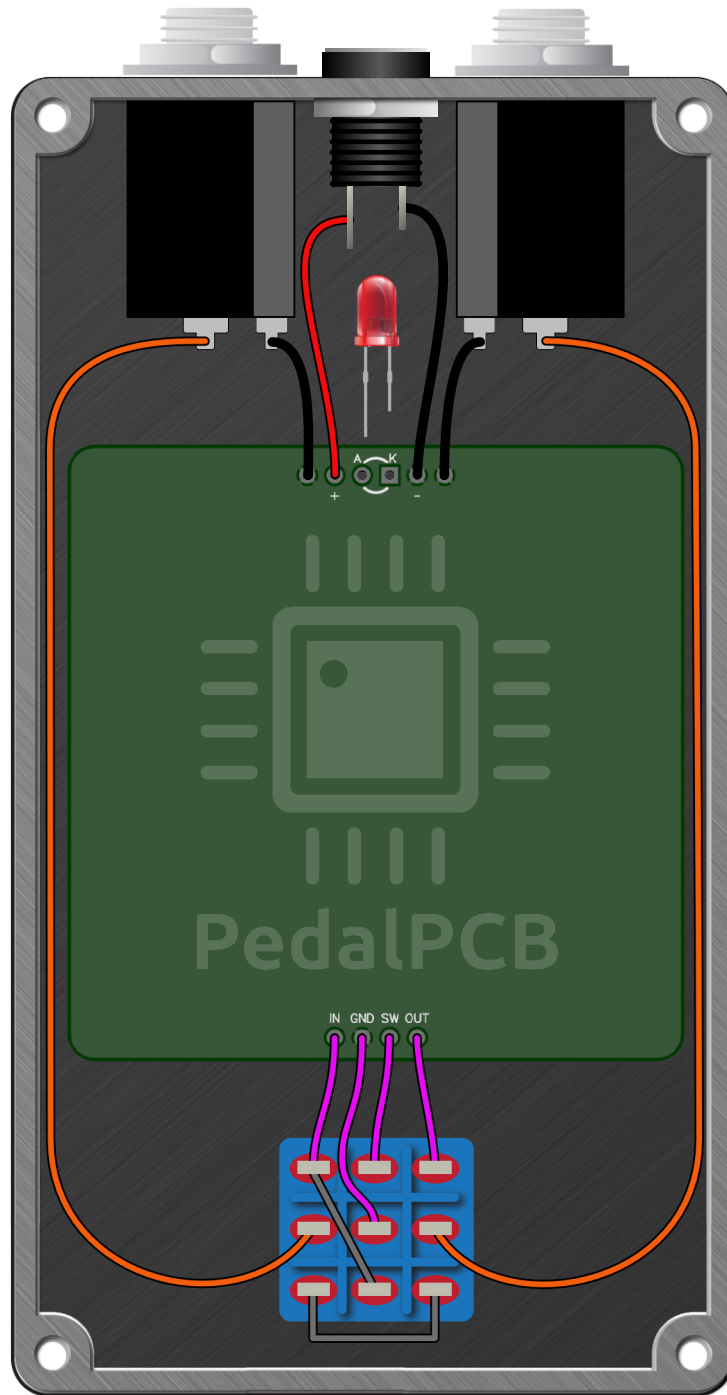
All trademarks and registered trademarks are the property of their respective owners. The company, product, and service names used in this web site are for identification purposes only. Use of these names, logos, and brands does not imply endorsement.

| LOCATION | VALUE | TYPE | NOTES |
|----------|----------|--------------------------------|-------------------------------------|
| R1 | 680K | Resistor, 1/4W | |
| R2 | 1M | Resistor, 1/4W | |
| R3 | 1M | Resistor, 1/4W | |
| R4 | 220R | Resistor, 1/4W | |
| R5 | 47R | Resistor, 1/4W | |
| R6 | 100K | Resistor, 1/4W | |
| R7 | 1M | Resistor, 1/4W | |
| R8 | 1M | Resistor, 1/4W | |
| R9 | 47R | Resistor, 1/4W | |
| R10 | 1M | Resistor, 1/4W | |
| R11 | 1M | Resistor, 1/4W | |
| R12 | 39K | Resistor, 1/4W | |
| R13 | 15K | Resistor, 1/4W | |
| R100 | 4K7 | Resistor, 1/4W | * LED current limiting resistor |
| C1 | 10p | Ceramic disc capacitor | |
| C2 | 47n | Film capacitor, 7.2 x 2.5mm | |
| C3 | 22n | Film capacitor, 7.2 x 2.5mm | |
| C4 | 22u | Electrolytic capacitor, 5mm | |
| C5 | 330p | Ceramic disc capacitor | |
| C6 | 47n | 16mm right-angle PCB mount pot | |
| C7 | 22u | Electrolytic capacitor, 5mm | |
| C8 | 100n | Film capacitor, 7.2 x 2.5mm | |
| C9 | 33n | Film capacitor, 7.2 x 2.5mm | |
| C10 | 15n | Film capacitor, 7.2 x 2.5mm | |
| C11 | 10n | Film capacitor, 7.2 x 2.5mm | |
| C12 | 22n | Film capacitor, 7.2 x 2.5mm | |
| C100 | 100u | Electrolytic capacitor, 5mm | |
| D100 | 5817 | Schottky diode, DO-41 | |
| Q1 | J201 | JFET transistor, N-channel | |
| Q2 | J201 | JFET transistor, N-channel | |
| Q3 | J201 | JFET transistor, N-channel | |
| Q4 | J201 | JFET transistor, N-channel | |
| LEVEL | A100K | 16mm right-angle PCB mount pot | |
| EQ | A100K | 16mm right-angle PCB mount pot | |
| SUSTAIN | A500K | 16mm right-angle PCB mount pot | |
| BASS | ON/ON/ON | Toggle switch, DPDT | 3-position Type 2 (ON/ON/ON) |
| | | | |
| | | | |
| | | | |
| | | | |
| | | | |
| | | | |
| | | | |

Schematic coming soon...

Finale Overdrive

Wiring Diagram



Finale Overdrive

Drill Template
125B Enclosure

