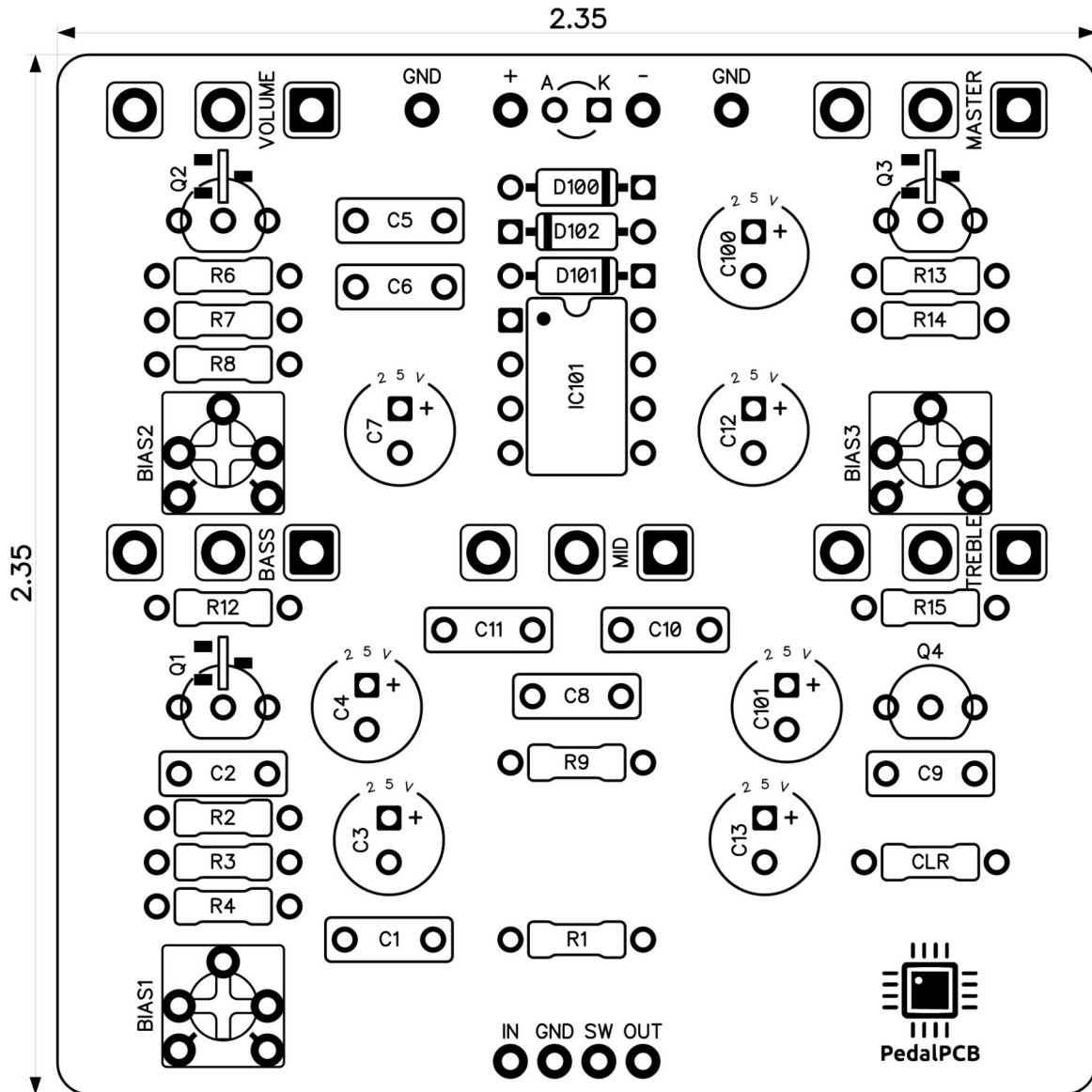


# PedalPCB

## Figment Preamp

Revised 12/30/23



### CONTROLS AND FEATURES

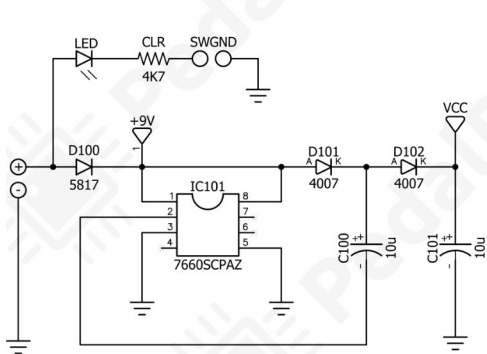
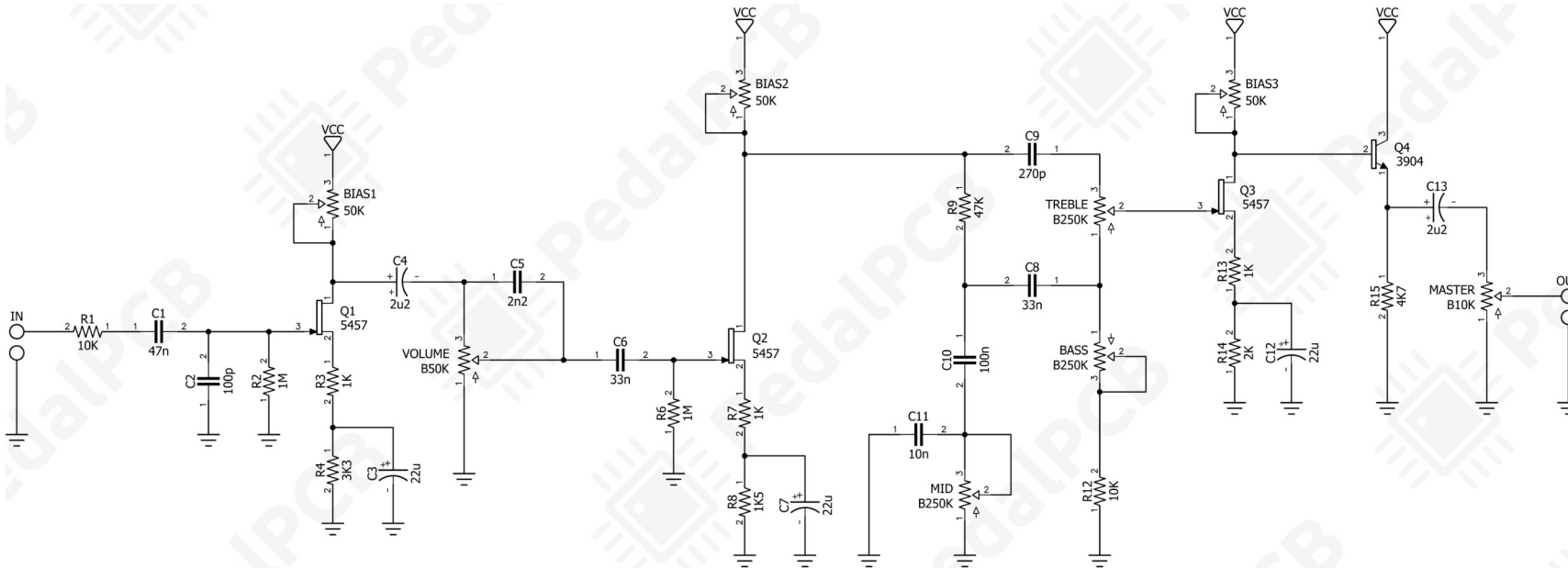
- Master
- Volume
- Treble
- Mid
- Bass

All trademarks and registered trademarks are the property of their respective owners. The company, product, and service names used in this web site are for identification purposes only. Use of these names, logos, and brands does not imply endorsement.

LOCATION	VALUE	TYPE	NOTES
R1	10K	Resistor, 1/4W	
R2	1M	Resistor, 1/4W	
R3	1K	Resistor, 1/4W	
R4	3K3	Resistor, 1/4W	
R6	1M	Resistor, 1/4W	
R7	1K	Resistor, 1/4W	
R8	1K5	Resistor, 1/4W	
R9	47K	Resistor, 1/4W	
R12	10K	Resistor, 1/4W	
R13	1K	Resistor, 1/4W	
R14	2K	Resistor, 1/4W	
R15	4K7	Resistor, 1/4W	
CLR	4K7	Resistor, 1/4W	* LED current limiting resistor
C1	47n	Film capacitor, 7.2 x 2.5mm	
C2	100p	Ceramic capacitor	
C3	22u	Electrolytic capacitor, 5mm	
C4	2u2	Electrolytic capacitor, 5mm	
C5	2n2	Film capacitor, 7.2 x 2.5mm	
C6	33n	Film capacitor, 7.2 x 2.5mm	
C7	22u	Electrolytic capacitor, 5mm	
C8	33n	Film capacitor, 7.2 x 2.5mm	
C9	270p	Ceramic capacitor	
C10	100n	Film capacitor, 7.2 x 2.5mm	
C11	10n	Film capacitor, 7.2 x 2.5mm	
C12	22u	Electrolytic capacitor, 5mm	
C13	2u2	Electrolytic capacitor, 5mm	
C100	10u	Electrolytic capacitor, 5mm	
C101	10u	Electrolytic capacitor, 5mm	
D100	1N5817	Schottky diode, DO-41	
D101	1N4007	Standard recovery diode, DO-41	
D102	1N4007	Standard recovery diode, DO-41	
Q1	2N5457	JFET transistor, N-channel	
Q2	2N5457	JFET transistor, N-channel	
Q3	2N5457	JFET transistor, N-channel	
Q4	2N3904	BJT transistor, NPN TO-92	
IC101	7660SCPAZ	Charge pump IC, DIP8	
BIAS1	50K	Trimmer potentiometer, 3362P type	
BIAS2	50K	Trimmer potentiometer, 3362P type	
BIAS3	50K	Trimmer potentiometer, 3362P type	
VOLUME	B50K	16mm right-angle PCB mount pot	
MASTER	B10K	16mm right-angle PCB mount pot	
TREBLE	B250K	16mm right-angle PCB mount pot	
MID	B250K	16mm right-angle PCB mount pot	
BASS	B250K	16mm right-angle PCB mount pot	

# Figment Preamp

## Schematic Diagram



**Q1**  
N-Ch JFET  
Blue-G, Symmetrical Src/Drn  
Vgs(off)=-0.42V at Id=5.4μA  
Vgs(on)=0.14V at Id=5.00mA  
gfs=20.9mA/V at Id=3.0mA to 5.0mA  
Idss=2.23mA at Vds=3.00V  
Rds(on)=31.9Ω at Id=5.0mA and Vgs=0.0V

**Q2**  
N-Ch JFET  
Blue-G, Symmetrical Src/Drn  
Vgs(off)=-0.31V at Id=5.2μA  
Vgs(on)=0.24V at Id=5.00mA  
gfs=21.9mA/V at Id=3.0mA to 5.0mA  
Idss=0.90mA at Vds=3.01V  
Rds(on)=37.2Ω at Id=5.0mA and Vgs=0.0V

**Q3**  
N-Ch JFET  
Blue-G, Symmetrical Src/Drn  
Vgs(off)=-0.30V at Id=5.3μA  
Vgs(on)=0.24V at Id=5.00mA  
gfs=20.8mA/V at Id=3.0mA to 5.0mA  
Idss=0.87mA at Vds=2.99V  
Rds(on)=37.4Ω at Id=5.0mA and Vgs=0.0V

# Figment Preamp

Wiring Diagram



# Figment Preamp

Drill Template  
125B Enclosure

