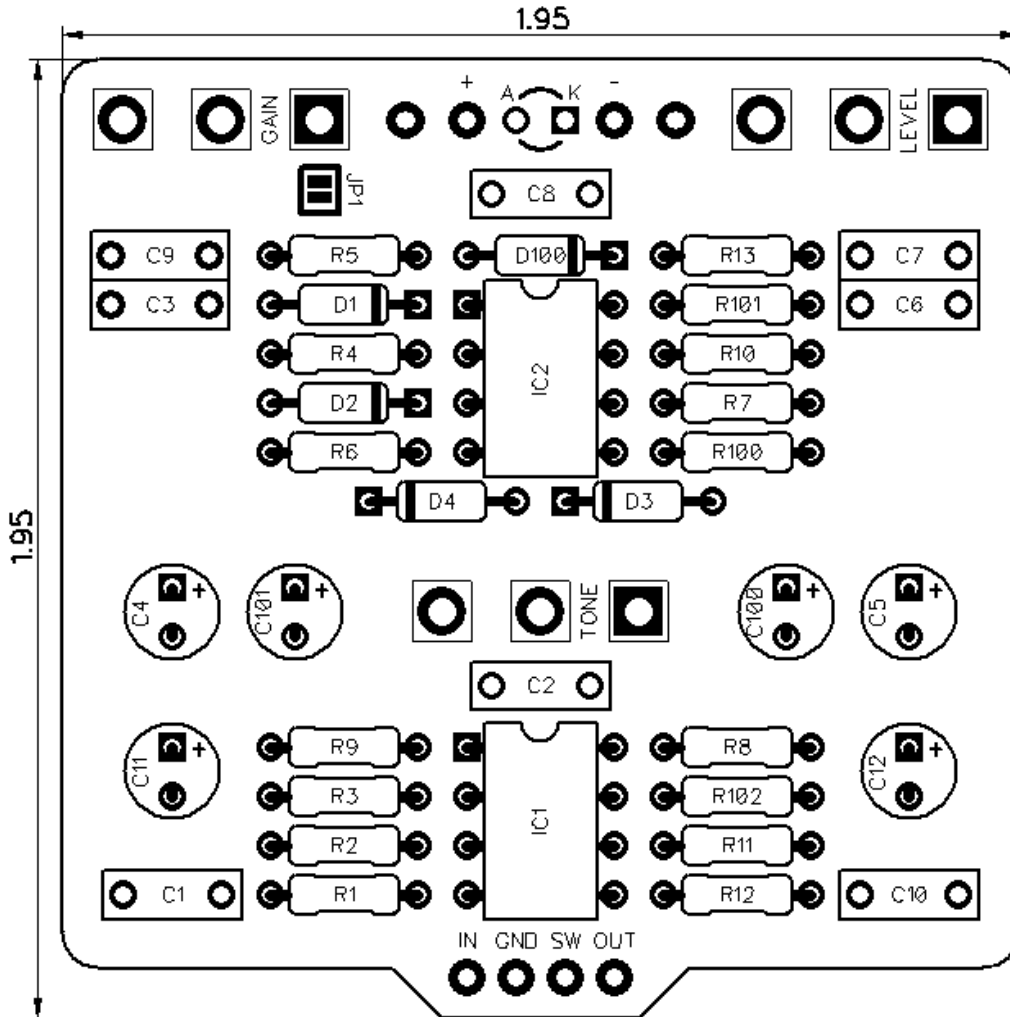




PedalPCB

FX5X

Revision 01.01.20



Controls

- Level
- Gain
- Tone

RESISTORS (1/4W)

R1 1M
 R2 10K
 R3 470K
 R4 ** SEE BELOW **
 R5 ** SEE BELOW **
 R6 10K
 R7 18K
 R8 ** SEE BELOW **
 R9 ** SEE BELOW **
 R10 10K
 R11 1K
 R12 100K
 R13 ** SEE BELOW **
 R100 4K7
 R101 100K
 R102 100K

CAPACITORS

C1 10n
 C2 120p
 C3 ** SEE BELOW **
 C4 1u
 C5 1u
 C6 ** SEE BELOW **
 C7 ** SEE BELOW **
 C8 ** SEE BELOW **
 C9 100n
 C10 ** SEE BELOW **
 C11 10u
 C12 1u
 C100 100u
 C101 47u

INTEGRATED CIRCUITS

IC1 ** SEE BELOW **
 IC2 ** SEE BELOW **

DIODES

D1 1N4148
 D2 1N4148
 D3 1N4148
 D4 1N4148
 D100 1N5817

POTENTIOMETERS

LEVEL A100K
 GAIN A500K
 TONE B100K

OD+

IC1 MC1458
 IC2 LF353

 R4 OMIT
 R5 470R
 R8 3K3
 R9 3K3
 R13 220K

 C3 120p
 C6 1n
 C7 10n
 C8 120p
 C10 22n

 JP01 SOLDER

CLASSIC TUBE

IC1 TL072
 IC2 TL072

 R4 3M9
 R5 680R
 R8 6K8
 R9 3K3
 R13 220K

 C3 120p
 C6 1n5
 C7 10n
 C8 3n9
 C10 100n

 JP01 OPEN

SUPRA

IC1 MC1458
 IC2 LF353

 R4 1M
 R5 470R
 R8 2K
 R9 1K
 R13 JUMPER

 C3 47p
 C6 1n
 C7 100n
 C8 120p
 C10 22n

 JP01 OPEN

