

The **PedalPCB FV-1 Clock Module** provides a variable clock frequency for Spin FV-1 based effects.

### Lower Rate

- Lower sample rate
- Increase max delay time
- Decrease LFO rates
- Increase reverb diffusion

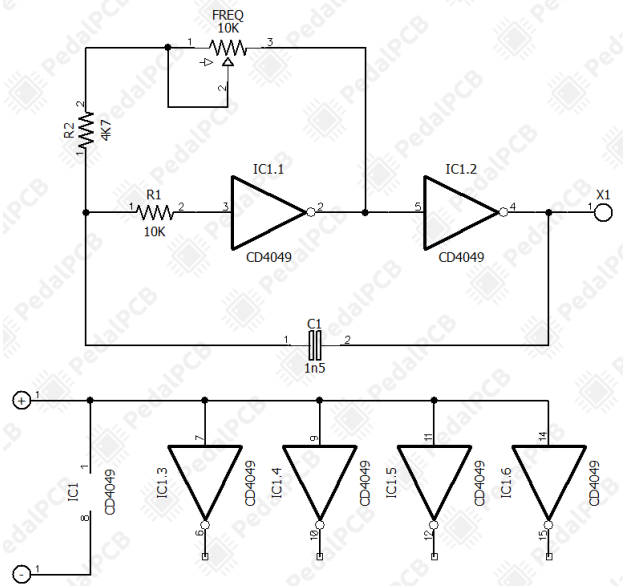
### Higher Rate

- Higher sample rate
- Decrease max delay time
- Increase LFO rates
- Increase reverb density

### Note

Results vary depending on algorithm.

Extreme clock rates (low or high) may have negative impact on certain effects.



## Parts List

### RESISTORS (1/4W)

R1 10K  
R2 4K7

### CAPACITORS

C1 1n5

### INTEGRATED CIRCUITS

IC1 CD4049UB

### TRIM POT (3362P Style)

FREQ 10K

### INSTALLATION INSTRUCTIONS

- 1) Connect - pad to **Ground**
- 2) Connect + pad to **+3.3V** supply
- 3) Connect **X1** pad to **Pin 10** of FV-1 IC

### NOTE

32.768kHz crystal and 15pF capacitor should be omitted from main FV-1 PCB.

## Board Assembly

