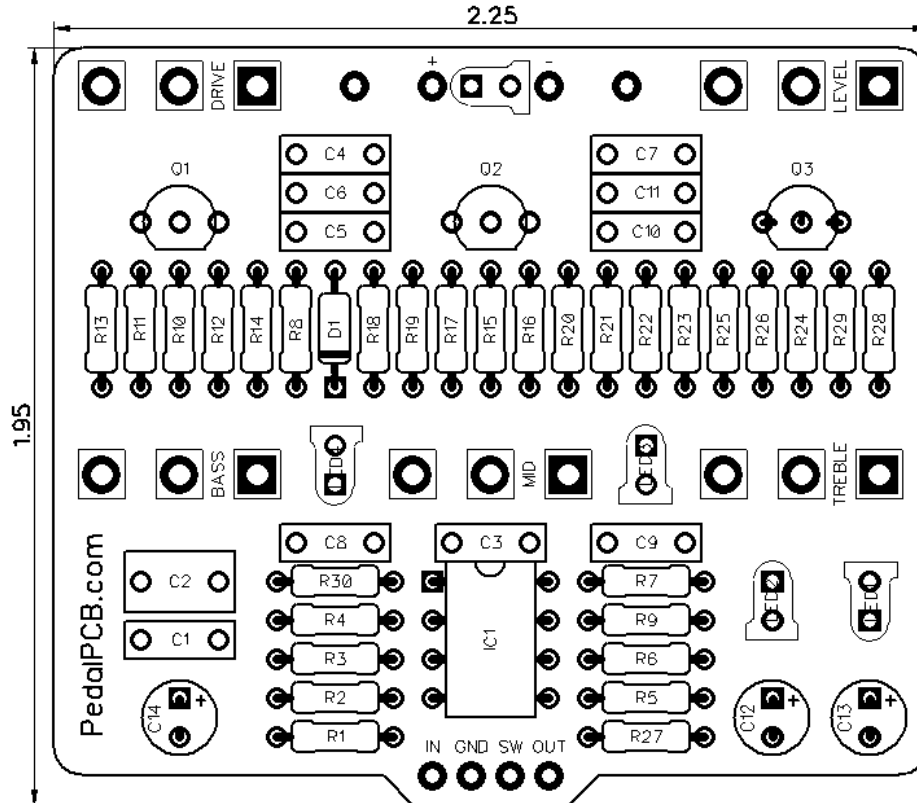


FET City Drive

Revision 01.12.18



Resistors

R1	10K
R2	1M
R3	1M
R4	1K5
R5	10K
R6	4K7
R7	15K
R8	1K5
R9	15K
R10	10K
R11	1M
R12	1M
R13	5K1
R14	100
R15	15K
R16	22K
R17	1M
R18	1M
R19	5K1
R20	100
R21	10K
R22	1K8
R23	150K
R24	470K
R25	10K
R26	470
R27	82K
R28	4K7
R29	10K
R30	10K

Capacitors

C1	33n
C2	470n
C3	47n
C4	120p
C5	47n
C6	47n
C7	680p
C8	22n
C9	47n
C10	3n3
C11	10n
C12	10u
C13	100u
C14	47u

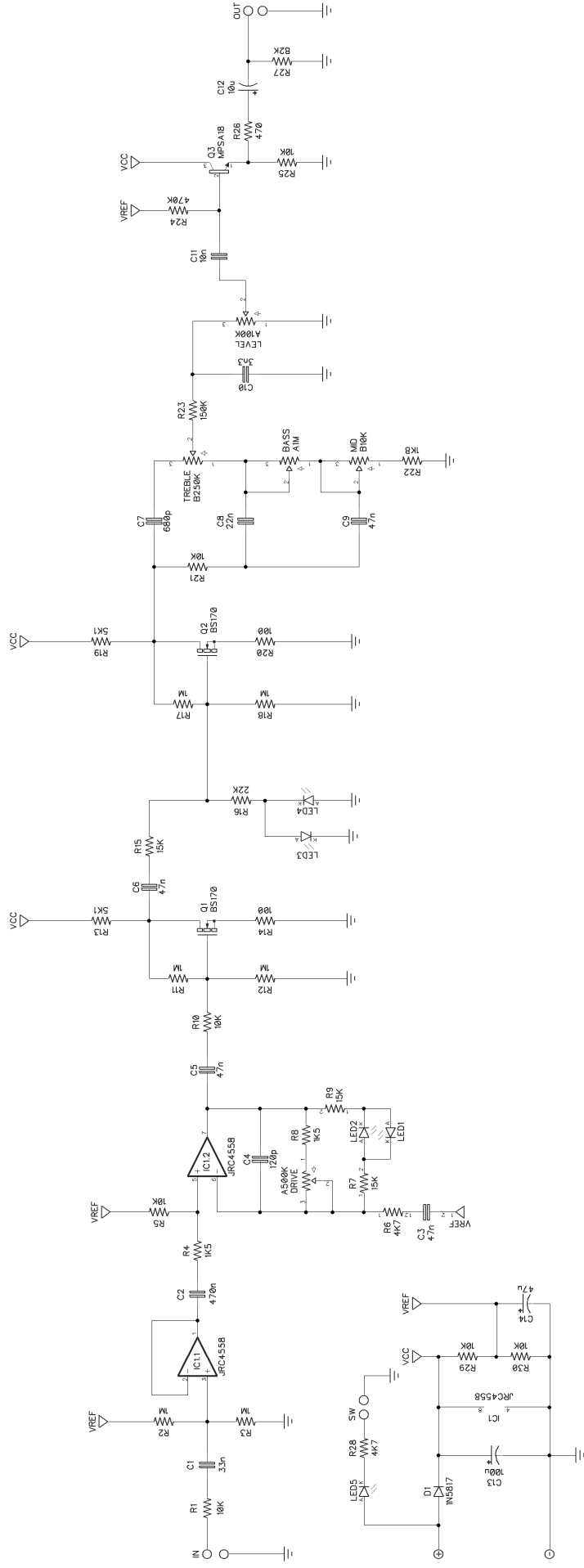
Semiconductors

IC1	JRC4558
Q1	BS170
Q2	BS170
Q3	MPSA18
D1	1N5817
LED1	3mm Red LED
LED2	3mm Red LED
LED3	3mm Red LED
LED4	3mm Red LED
LED5	3mm Red LED

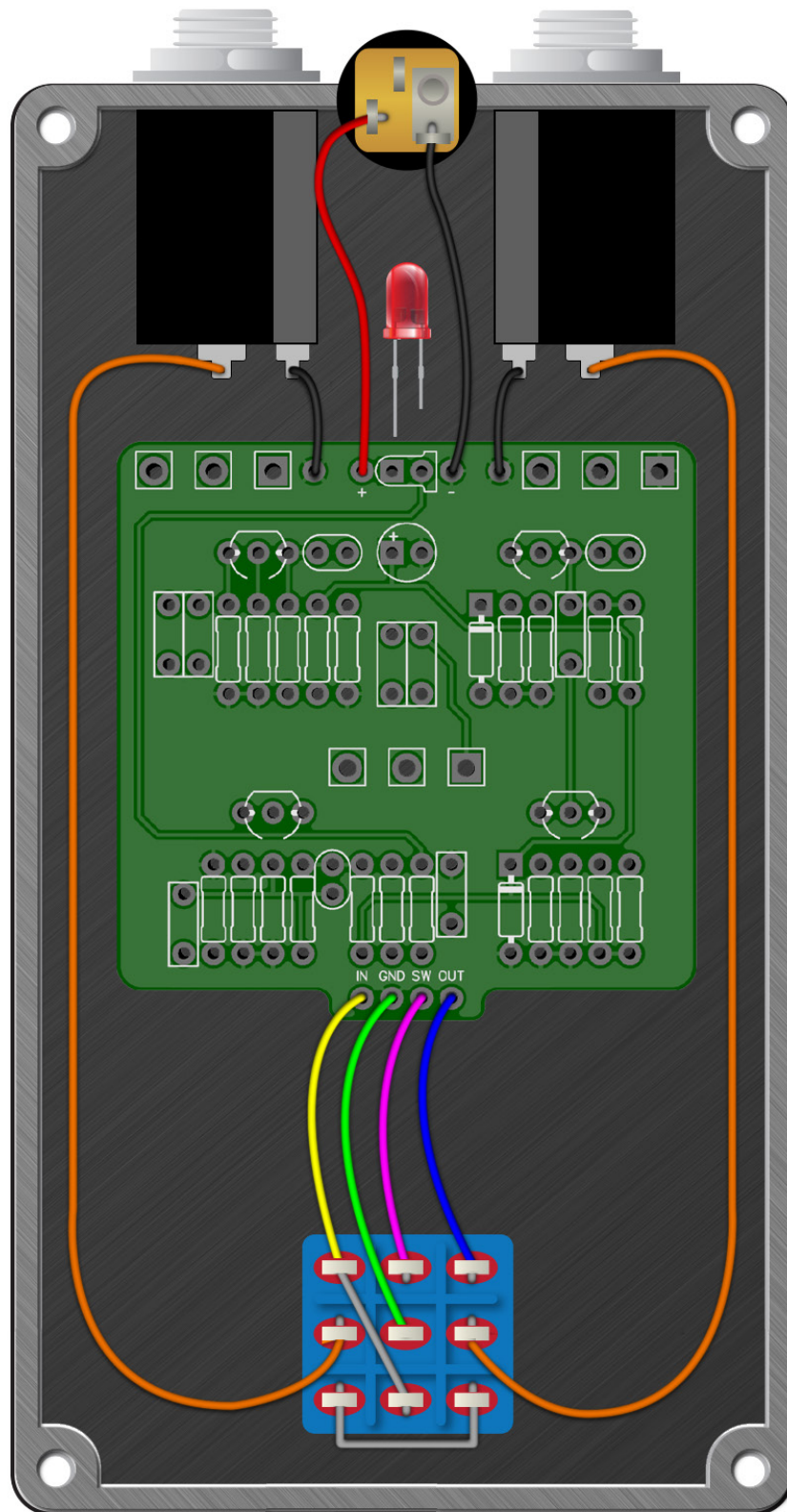
Potentiometers

LEVEL	A100K
DRIVE	A500K
TREBLE	B250K
BASS	A1M
MID	B10K

FET City Drive



Wiring Diagram



Drill Template

4S125B enclosure with top mounted jacks

