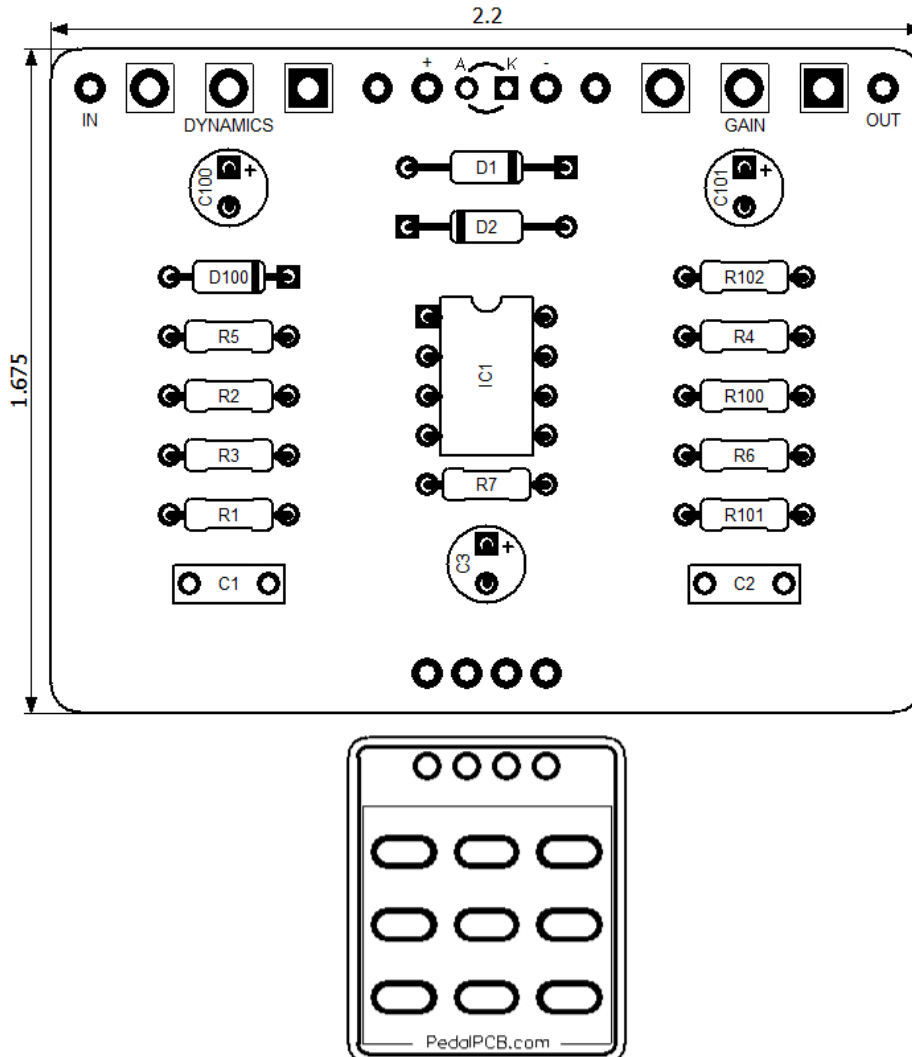




PedalPCB

FDIC Boost

Revised 1/5/22



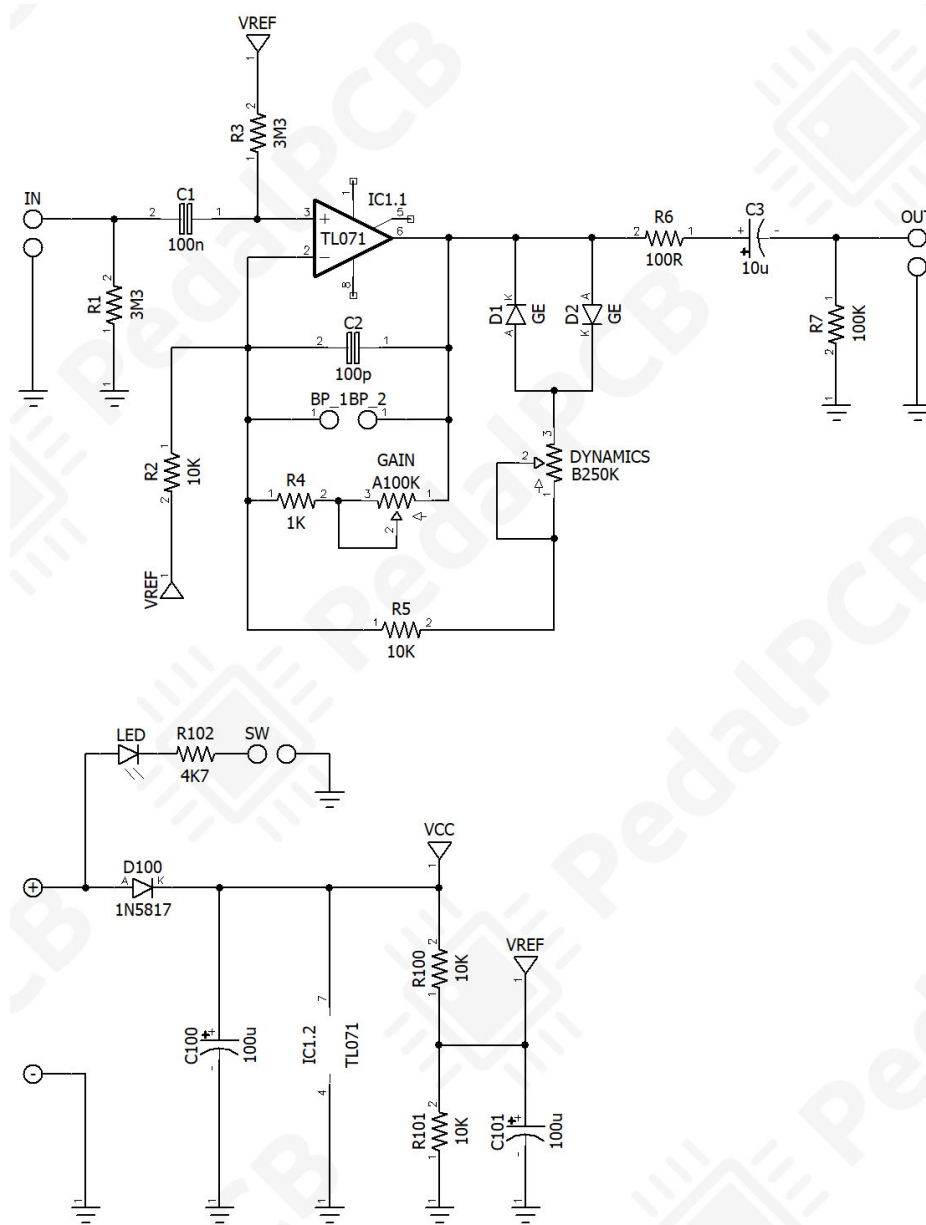
CONTROLS AND FEATURES

- Gain
- Dynamics

All trademarks and registered trademarks are the property of their respective owners. The company, product, and service names used in this web site are for identification purposes only. Use of these names, logos, and brands does not imply endorsement.

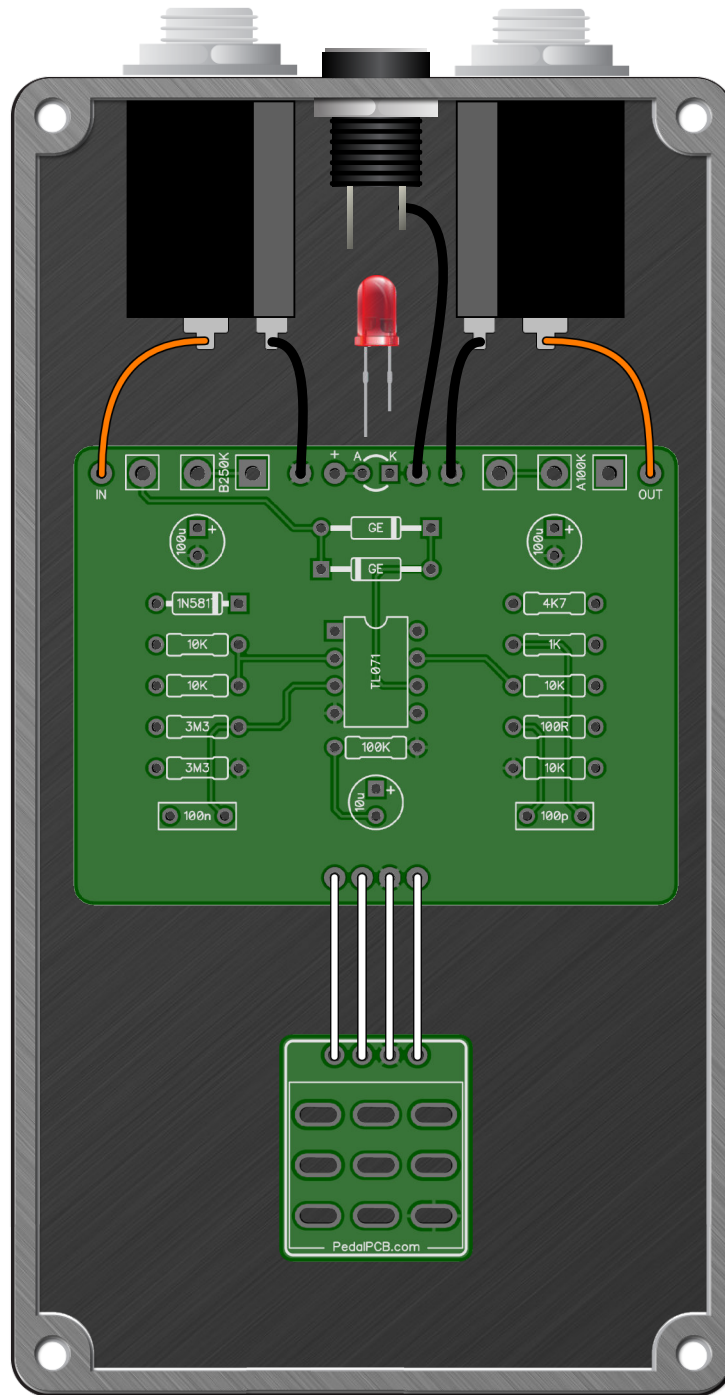
FDIC Boost

Schematic Diagram



FDIC Boost

Wiring Diagram



FDIC Boost

Drill Template
125B Enclosure

