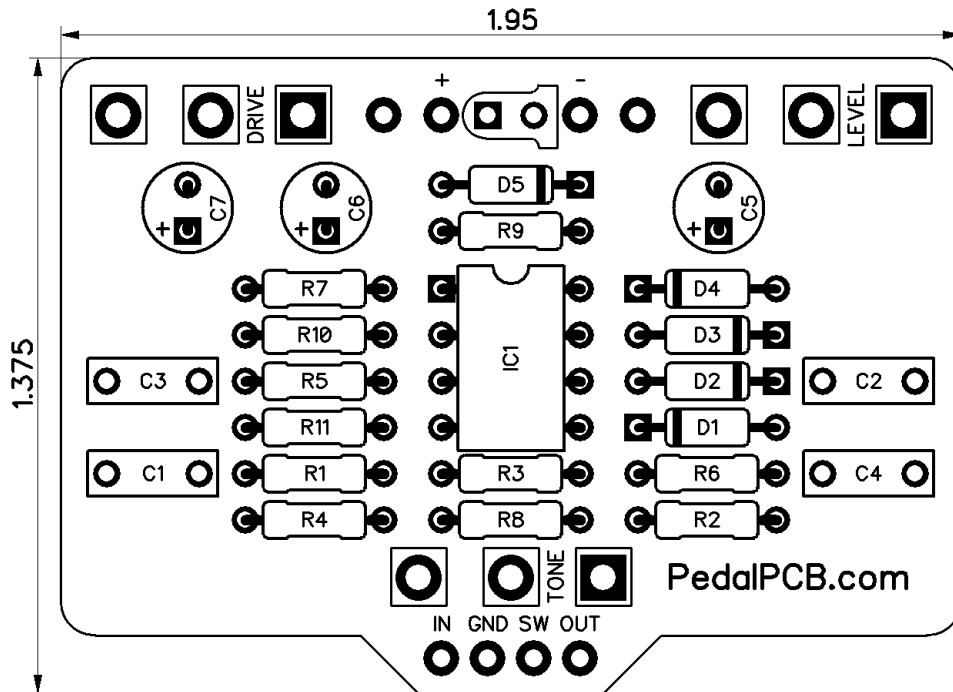


Eternal Burst

Revision 11.14.17



Resistors

R1	1M
R2	3K3
R3	1M
R4	20K
R5	1K
R6	330
R7	1K
R8	4K7
R9	330
R10	10K
R11	10K

Capacitors

C1	47nF
C2	100nF
C3	150nF
C4	220nF
C5	10uF
C6	47uF
C7	47uF

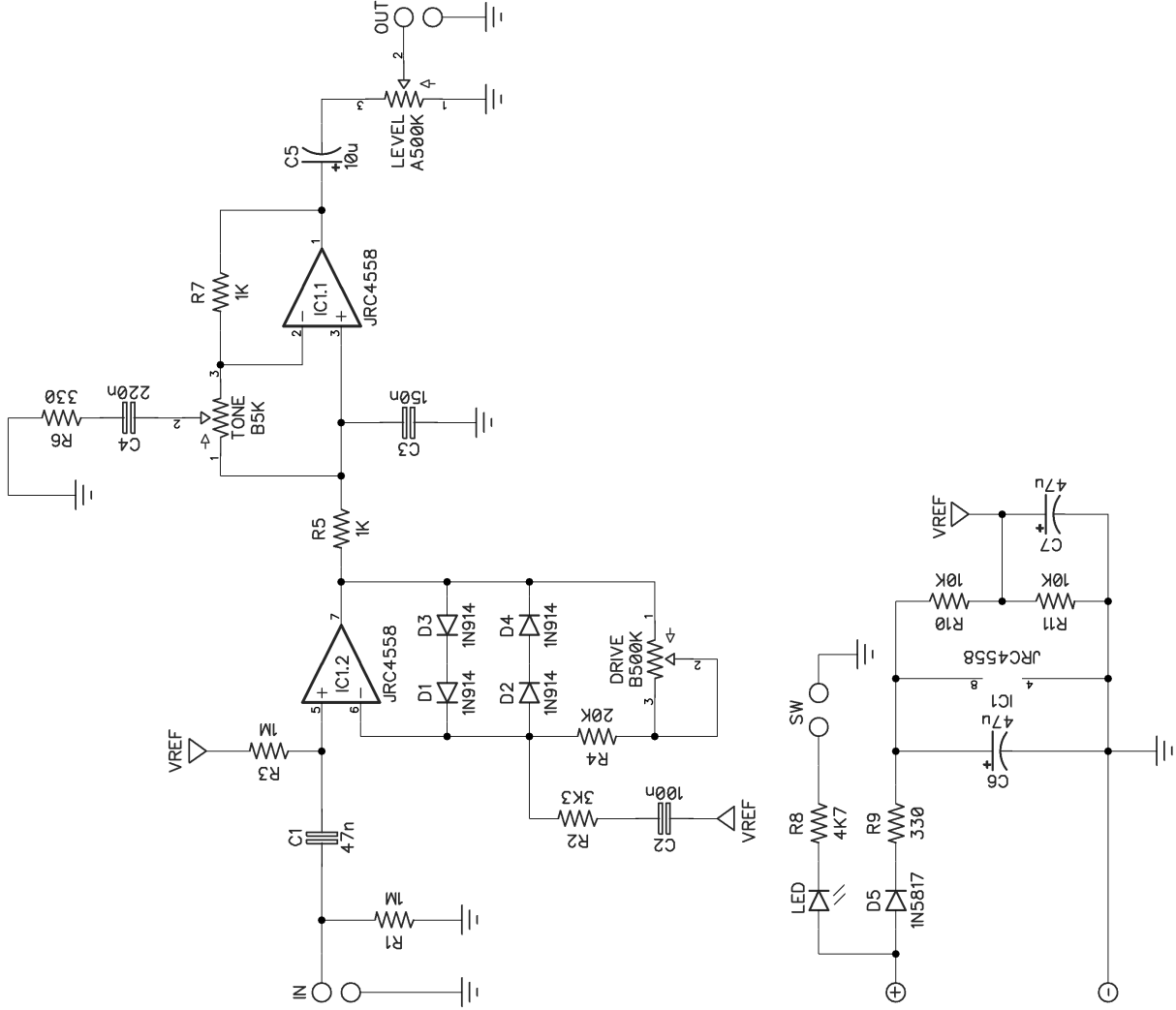
Semiconductors

IC1	JRC4558
D1	1N914
D2	1N914
D3	1N914
D4	1N914
D5	1N5817

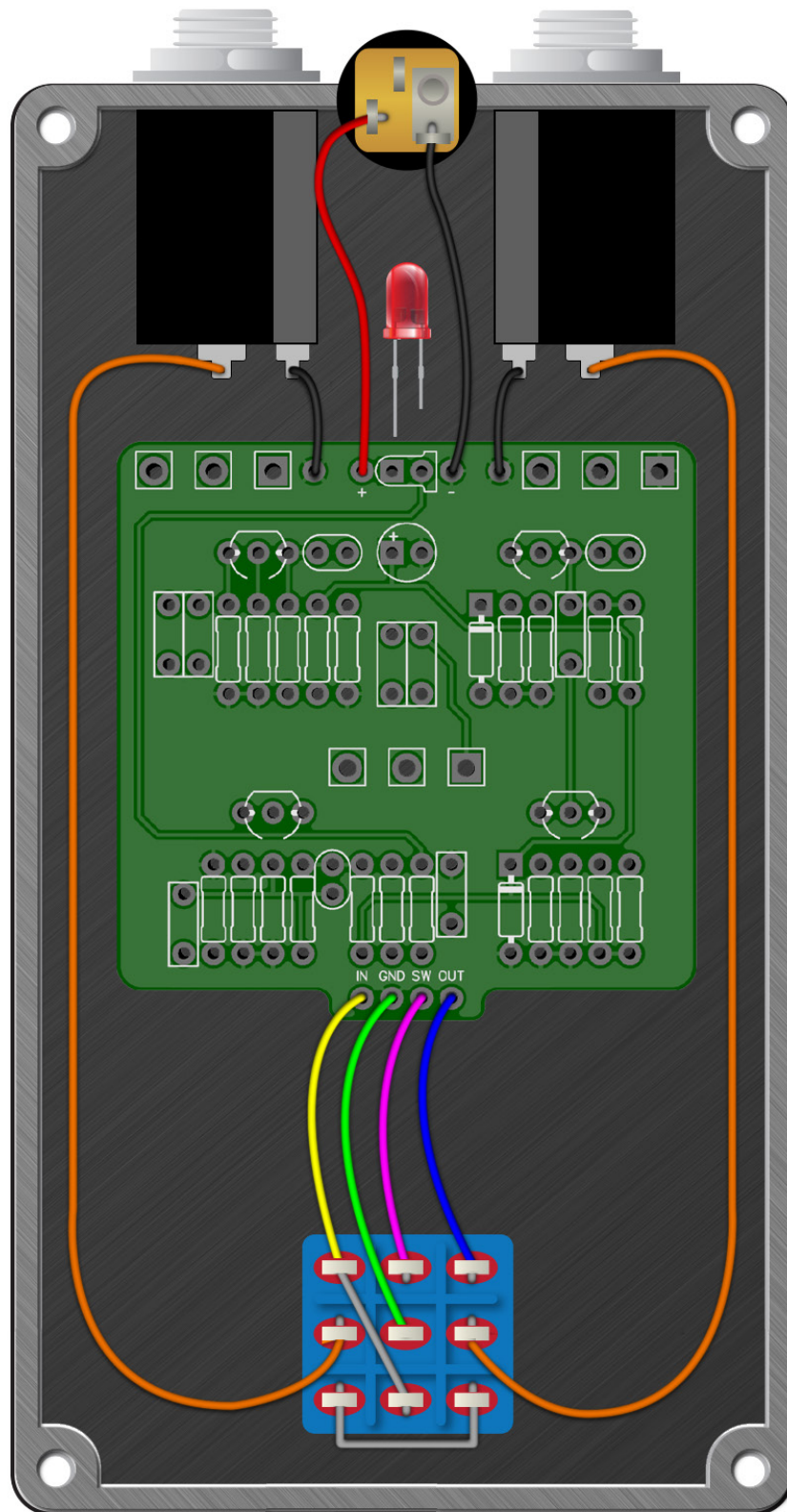
Potentiometers

DRIVE	B500K
LEVEL	A500K
TONE	B5K

Eternal Burst



Wiring Diagram



Drill Template

4S125B enclosure with top mounted jacks

