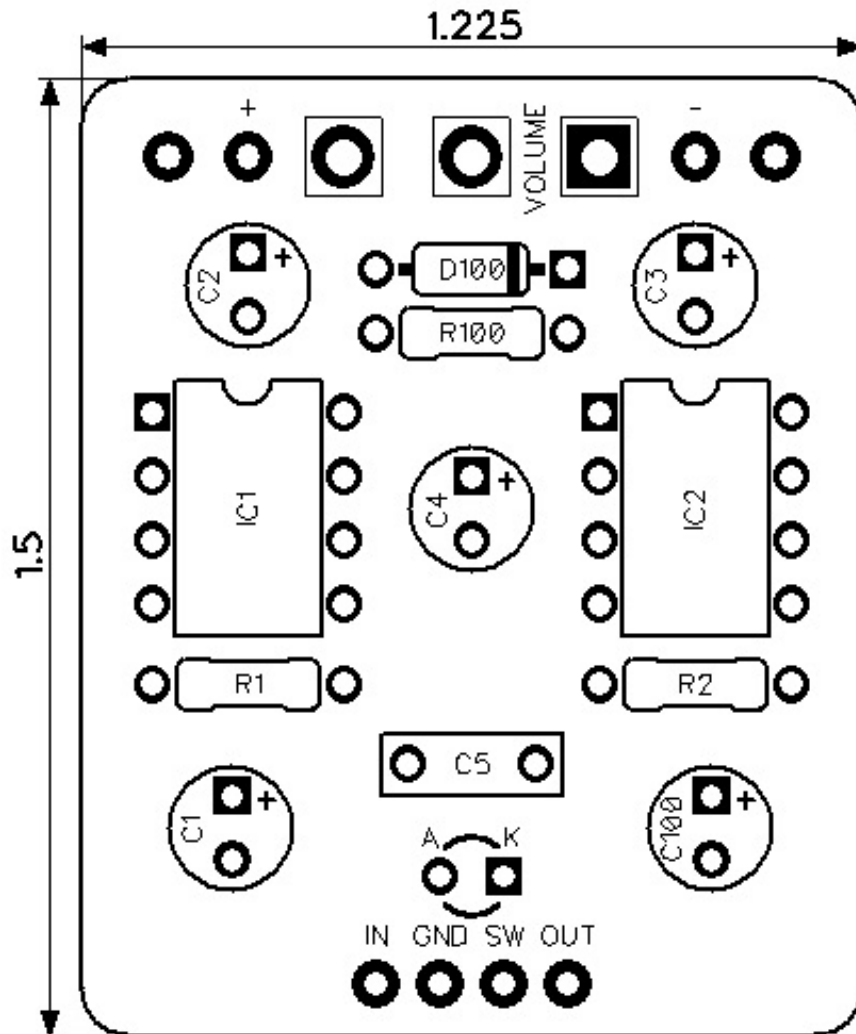


PedalPCB

El Sol Distortion

Revised 4/9/21

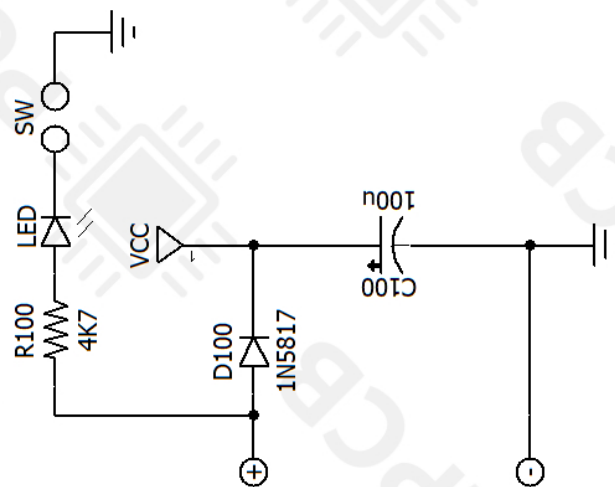
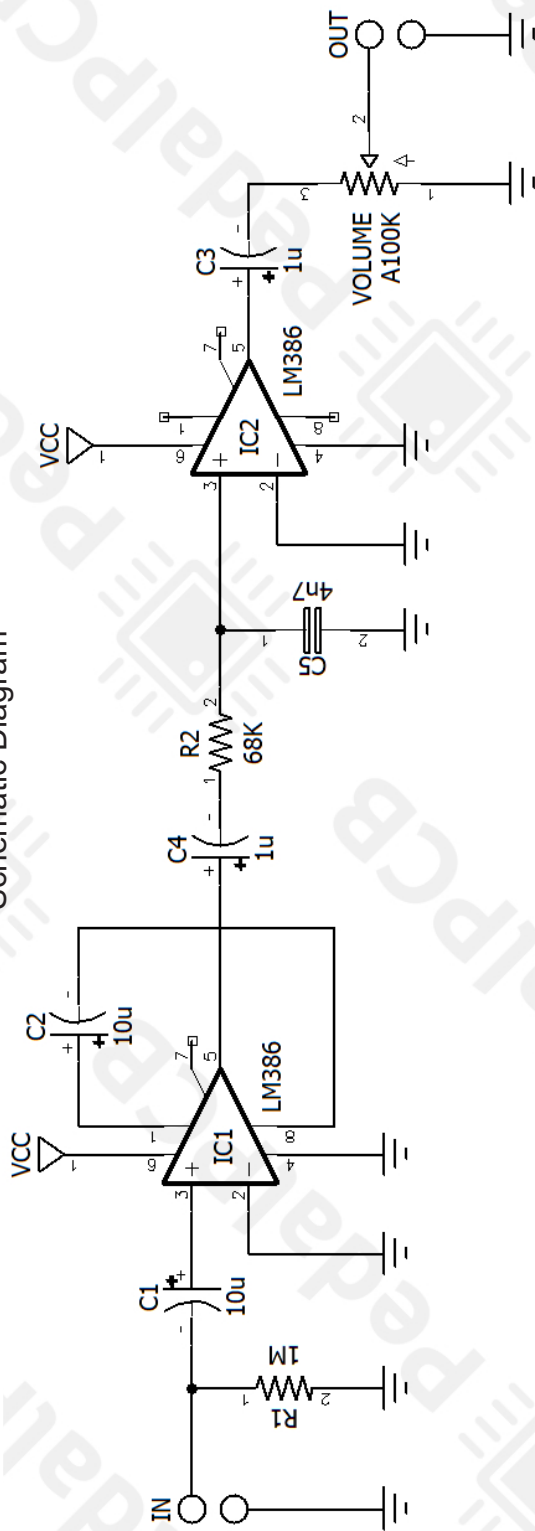


CONTROLS AND FEATURES

- Volume

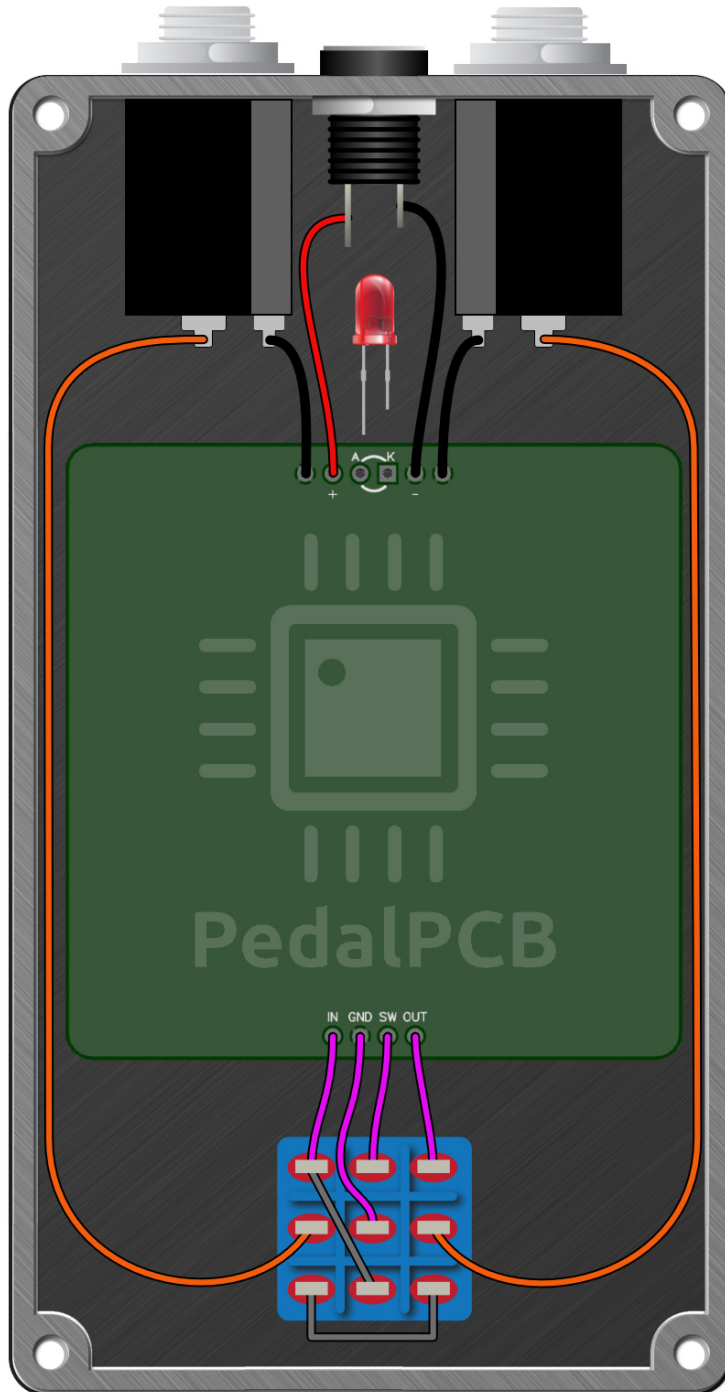
All trademarks and registered trademarks are the property of their respective owners. The company, product, and service names used in this web site are for identification purposes only. Use of these names, logos, and brands does not imply endorsement.

Schematic Diagram



El Sol Distortion

Wiring Diagram



El Sol Distortion

Drill Template
125B Enclosure

