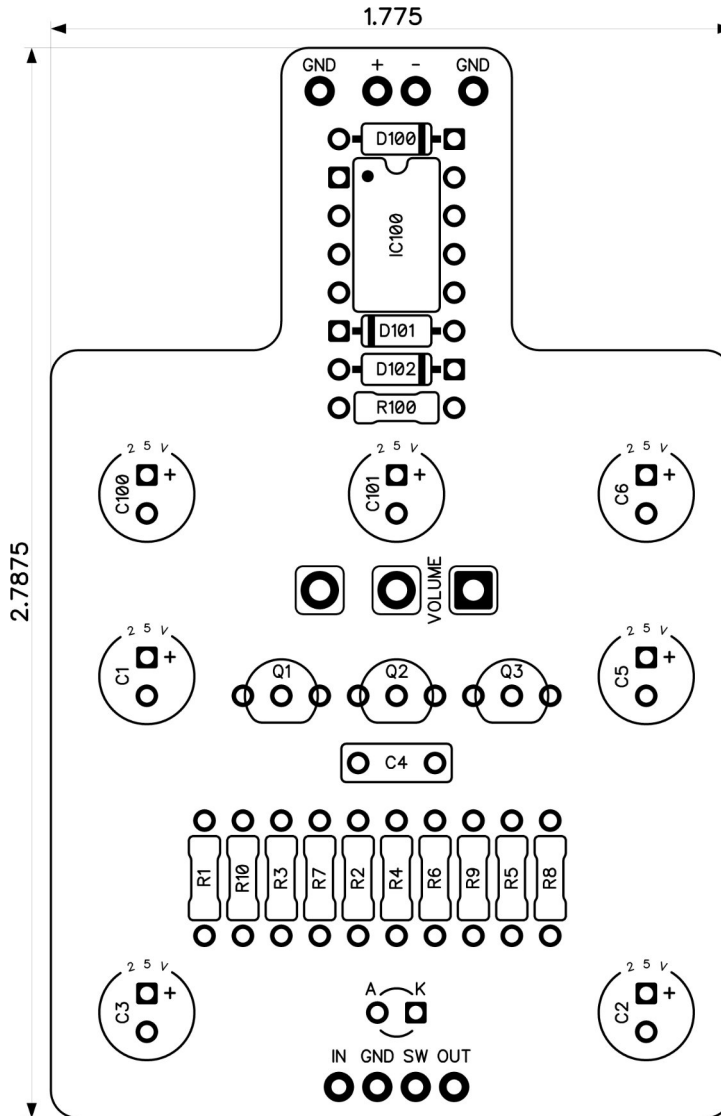


PedalPCB

ElectroVibe Preamp

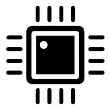
Revised 10/30/22



CONTROLS AND FEATURES

- Volume

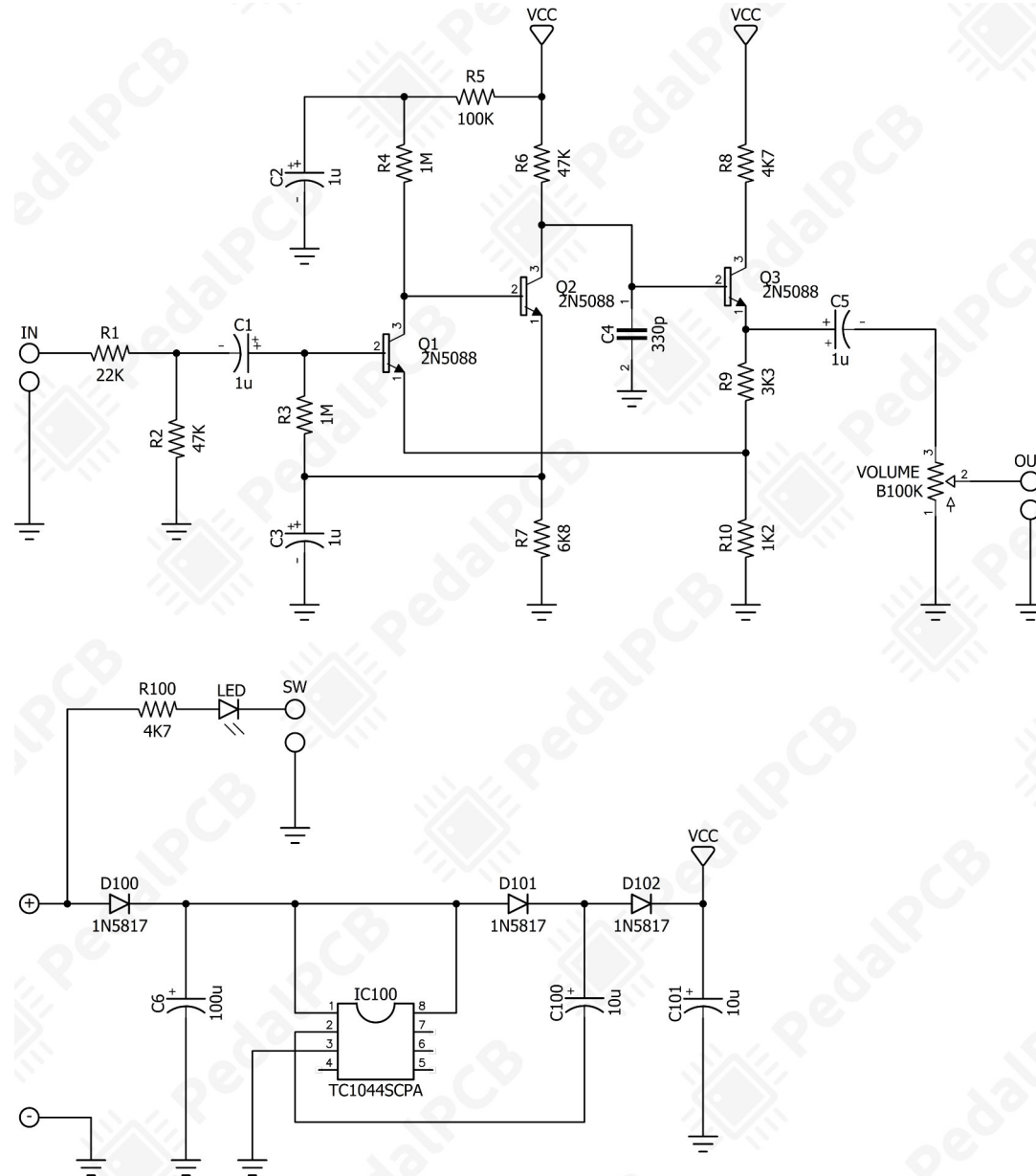
All trademarks and registered trademarks are the property of their respective owners. The company, product, and service names used in this web site are for identification purposes only. Use of these names, logos, and brands does not imply endorsement.



LOCATION	VALUE	TYPE	NOTES
R1	22K	Resistor, 1/4W	
R2	47K	Resistor, 1/4W	
R3	1M	Resistor, 1/4W	
R4	1M	Resistor, 1/4W	
R5	100K	Resistor, 1/4W	
R6	47K	Resistor, 1/4W	
R7	6K8	Resistor, 1/4W	
R8	4K7	Resistor, 1/4W	
R9	3K3	Resistor, 1/4W	
R10	1K2	Resistor, 1/4W	
R100	4K7	Resistor, 1/4W	*LED current limiting resistor
C1	1u	Electrolytic capacitor, 5mm	25VDC minimum
C2	1u	Electrolytic capacitor, 5mm	25VDC minimum
C3	1u	Electrolytic capacitor, 5mm	25VDC minimum
C4	330p	Ceramic disc capacitor	
C5	1u	Electrolytic capacitor, 5mm	25VDC minimum
C6	100u	Electrolytic capacitor, 5mm	
C100	10u	Electrolytic capacitor, 5mm	25VDC minimum
C101	10u	Electrolytic capacitor, 5mm	25VDC minimum
D100	1N5817	Schottky diode, DO-41	
D101	1N5817	Schottky diode, DO-41	
D102	1N5817	Schottky diode, DO-41	
Q1	2N5088	BJT transistor, NPN TO-92	
Q2	2N5088	BJT transistor, NPN TO-92	
Q3	2N5088	BJT transistor, NPN TO-92	
IC100	TC1044SCPA	Charge pump IC, DIP8	
VOLUME	B100K	16mm right-angle PCB mount pot	

ElectroVibe Preamp

Schematic Diagram



ElectroVibe Preamp

Wiring Diagram



ElectroVibe Preamp

Drill Template
125B Enclosure

