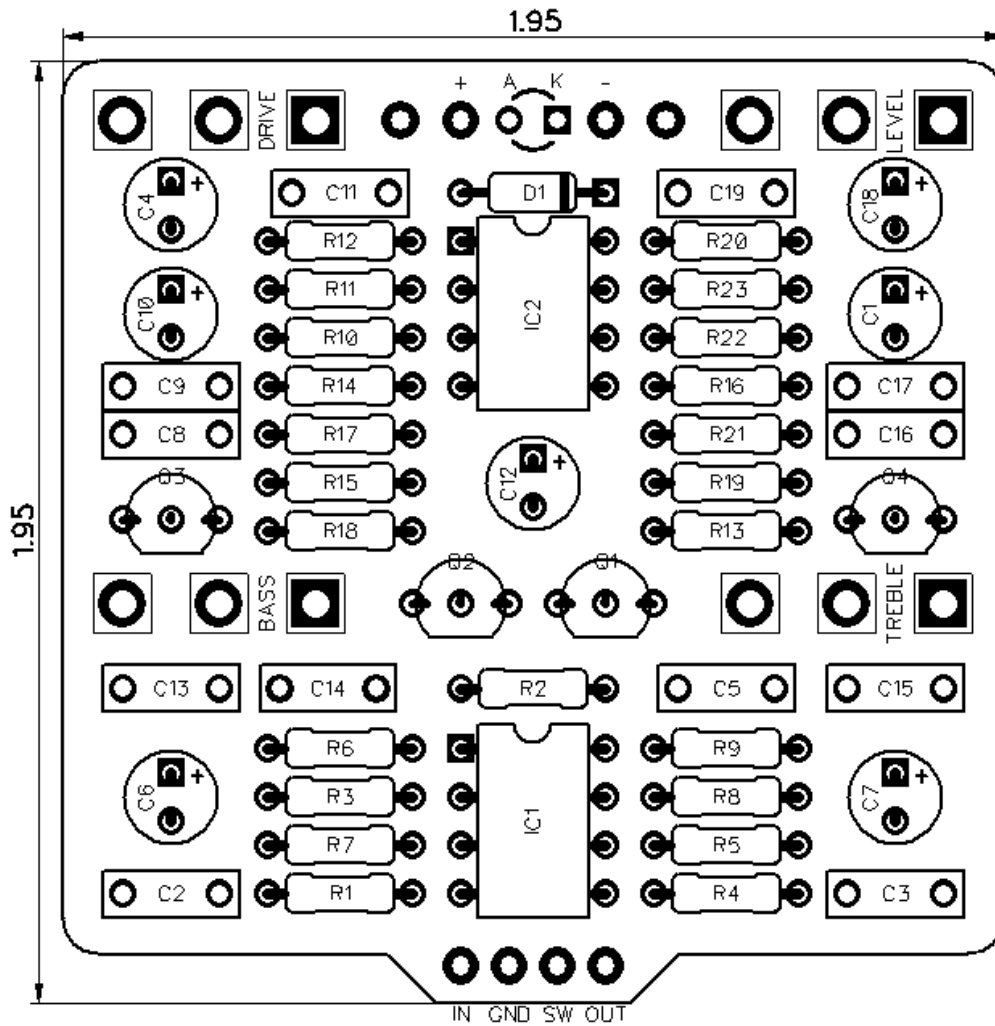


PedalPCB

Dunder Chief Distortion

Revision 04.14.19



Controls

- Drive
- Level
- Bass
- Treble

All trademarks and registered trademarks are the property of their respective owners. The company, product, and service names used in this web site are for identification purposes only. Use of these names, logos, and brands does not imply endorsement.

Dunder Chief Distortion

Parts List

RESISTORS (1/4W)

R1	10M	
R2	4K7	
R3	1K	
R4	475K	(470K)
R5	200R	
R6	100K	
R7	100K	
R8	100K	
R9	10K	
R10	499K	(510K)
R11	8K25	(8K2)
R12	24K9	(24K)
R13	150K	
R14	392K	
R15	187K	(180K)
R16	10K	
R17	16K2	(16K)
R18	1K62	(1K6)
R19	100K	
R20	16K2	(16K)
R21	2K61	(2K6)
R22	10K	
R23	1K	

CAPACITORS

C1	10u
C2	3n3
C3	220p
C4	4u7
C5	390p
C6	10u
C7	4u7
C8	1n
C9	22n
C10	4u7
C11	1n8
C12	10u
C13	220n
C14	47n
C15	18n
C16	1n2
C17	680p
C18	2u2
C19	39n

INTEGRATED CIRCUITS

IC1	MC33178
IC2	MC33178

TRANSISTORS

Q1	2N3906
Q2	2N3906
Q3	MPSA18
Q4	MPSA18

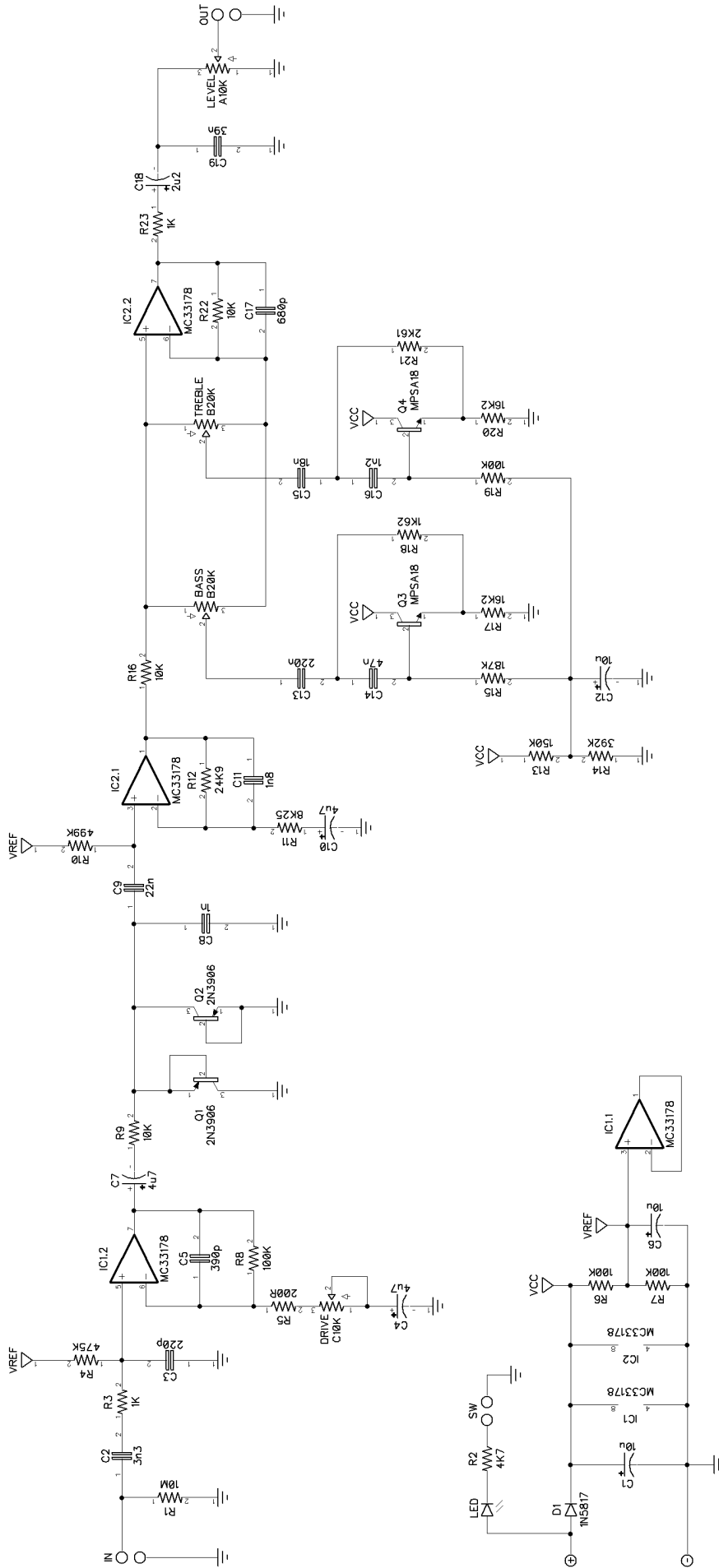
DIODES

D1	1N5817
----	--------

POTENTIOMETERS

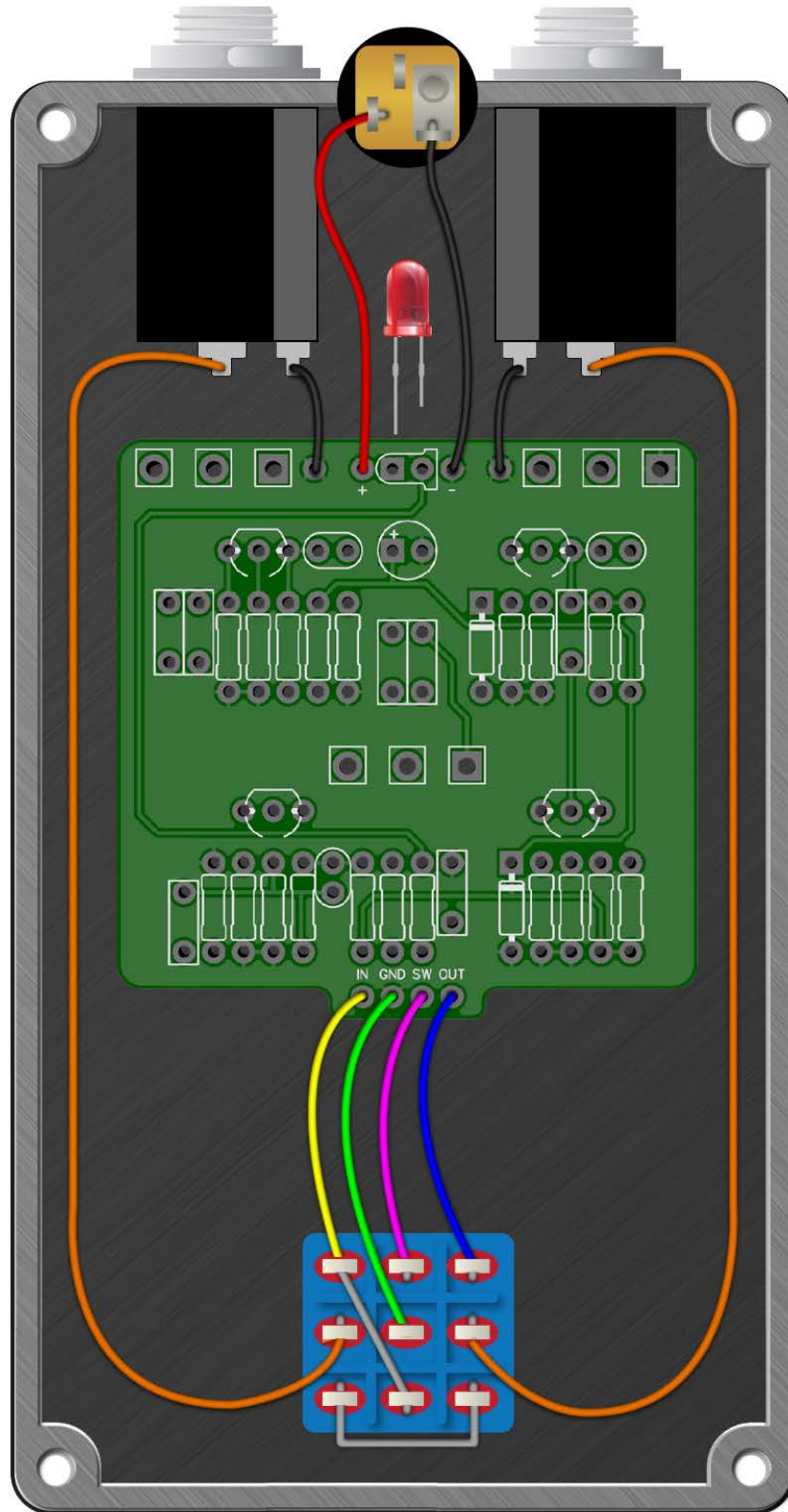
DRIVE	C10K
LEVEL	A10K
BASS	B20K
TREBLE	B20K

Dunder Chief Distortion



Dunder Chief Distortion

Wiring Diagram



Dunder Chief Distortion

Drill Template

125B enclosure with top mounted jacks

