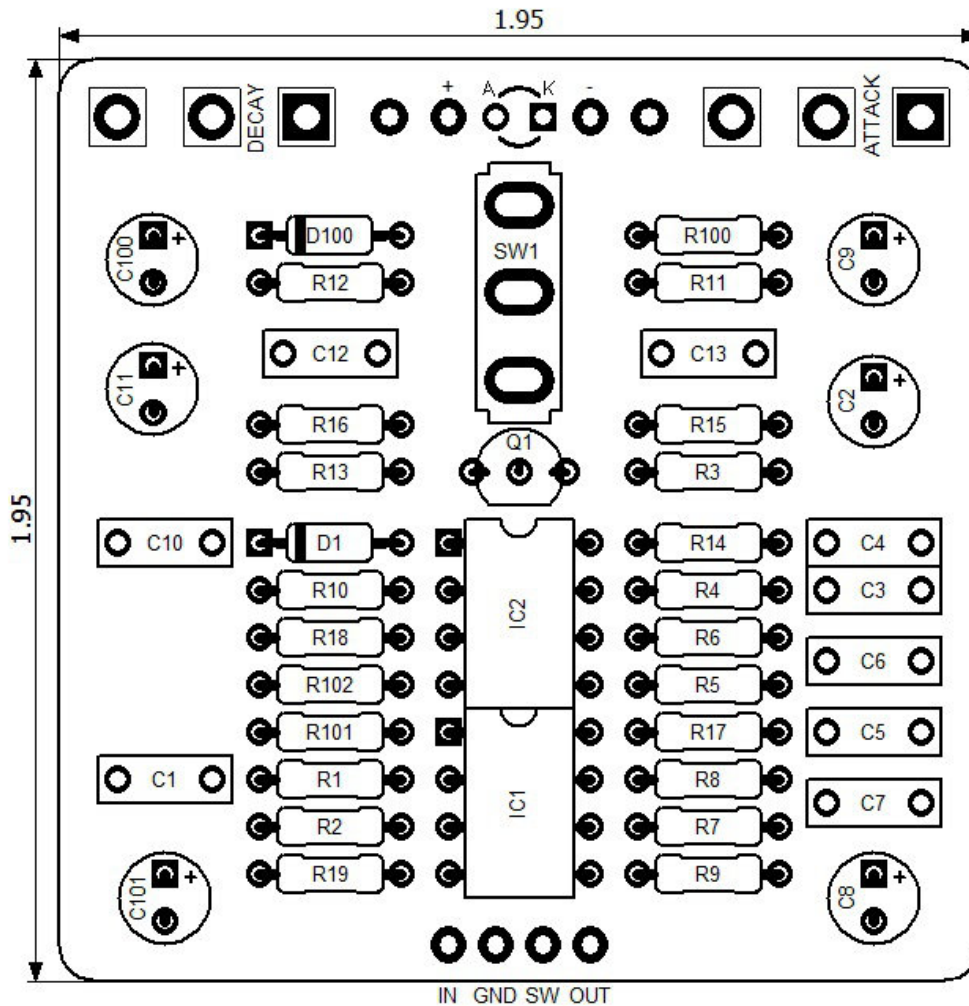


PedalPCB

Duck Box Filter

Revised 10/25/22



CONTROLS AND FEATURES

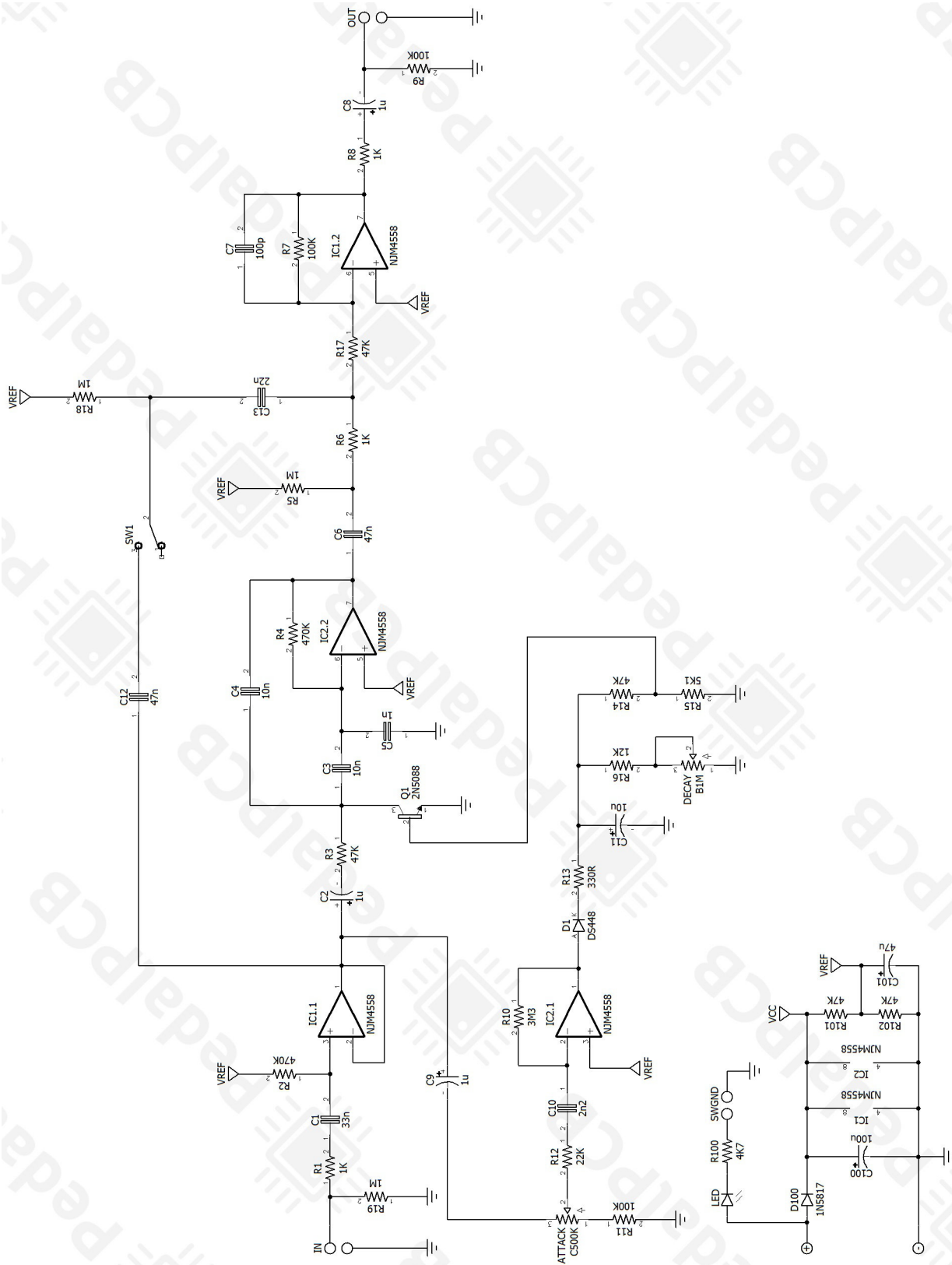
- Attack
- Decay
- Blend (Toggle switch)

All trademarks and registered trademarks are the property of their respective owners. The company, product, and service names used in this web site are for identification purposes only. Use of these names, logos, and brands does not imply endorsement.

LOCATION	VALUE	TYPE	NOTES
R1	1K	Resistor, 1/4W	
R2	470K	Resistor, 1/4W	
R3	47K	Resistor, 1/4W	
R4	470K	Resistor, 1/4W	
R5	1M	Resistor, 1/4W	
R6	1K	Resistor, 1/4W	
R7	100K	Resistor, 1/4W	
R8	1K	Resistor, 1/4W	
R9	100K	Resistor, 1/4W	
R10	3M3	Resistor, 1/4W	
R11	100K	Resistor, 1/4W	
R12	22K	Resistor, 1/4W	
R13	330R	Resistor, 1/4W	
R14	47K	Resistor, 1/4W	
R15	5K1	Resistor, 1/4W	
R16	12K	Resistor, 1/4W	
R17	47K	Resistor, 1/4W	
R18	1M	Resistor, 1/4W	
R19	1M	Resistor, 1/4W	
R100	4K7	Resistor, 1/4W	
R101	47K	Resistor, 1/4W	
R102	47K	Resistor, 1/4W	
C1	33n	Film capacitor, 7.2 x 2.5mm	
C2	1u	Electrolytic capacitor, 5mm	
C3	10n	Film capacitor, 7.2 x 2.5mm	
C4	10n	Film capacitor, 7.2 x 2.5mm	
C5	1n	Film capacitor, 7.2 x 2.5mm	
C6	47n	Film capacitor, 7.2 x 2.5mm	
C7	100p	Ceramic capacitor	
C8	1u	Electrolytic capacitor, 5mm	
C9	1u	Electrolytic capacitor, 5mm	
C10	2n2	Film capacitor, 7.2 x 2.5mm	
C11	10u	Electrolytic capacitor, 5mm	
C12	47n	Film capacitor, 7.2 x 2.5mm	
C13	22n	Film capacitor, 7.2 x 2.5mm	
C100	100u	Electrolytic capacitor, 5mm	
C101	47u	Electrolytic capacitor, 5mm	
D1	DS448	Signal diode, DO-35	① <i>Alternate part 1N4148</i>
D100	1N5817	Schottky diode, DO-41	
Q1	2N5088	BJT transistor, NPN TO-92	
IC1	NJM4558	Dual op-amp, DIP8	
IC2	NJM4558	Dual op-amp, DIP8	
ATTACK	C500K	16mm right-angle PCB mount pot	
DECAY	B1M	16mm right-angle PCB mount pot	
SW1	SPDT	Toggle switch, SPDT	2-position (ON/ON)

Duck Box Filter

Schematic Diagram



Duck Box Filter

Wiring Diagram



Duck Box Filter

Drill Template
125B Enclosure

