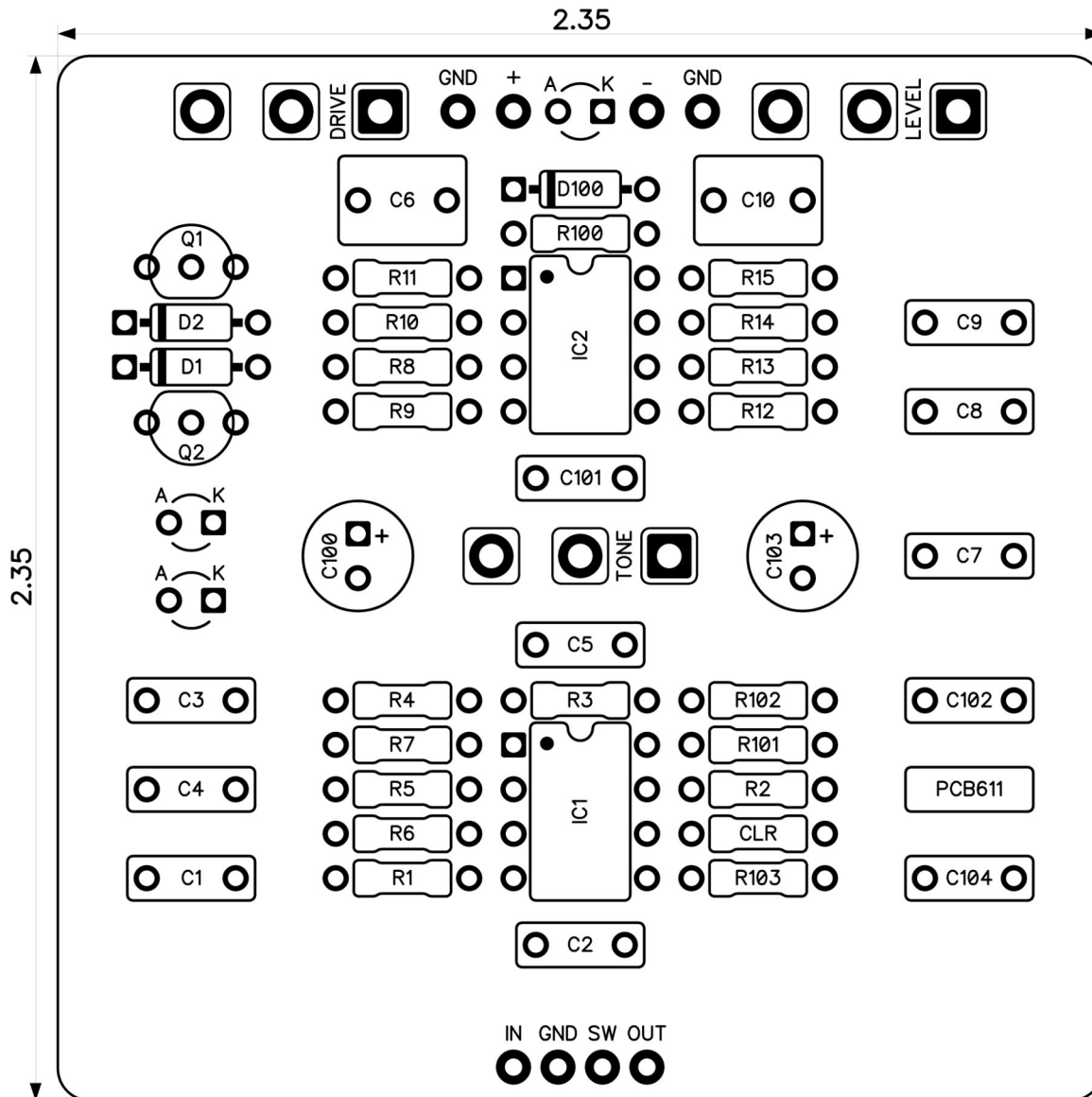


PedalPCB

DriveGPT Overdrive

Revised 12/31/23



CONTROLS AND FEATURES

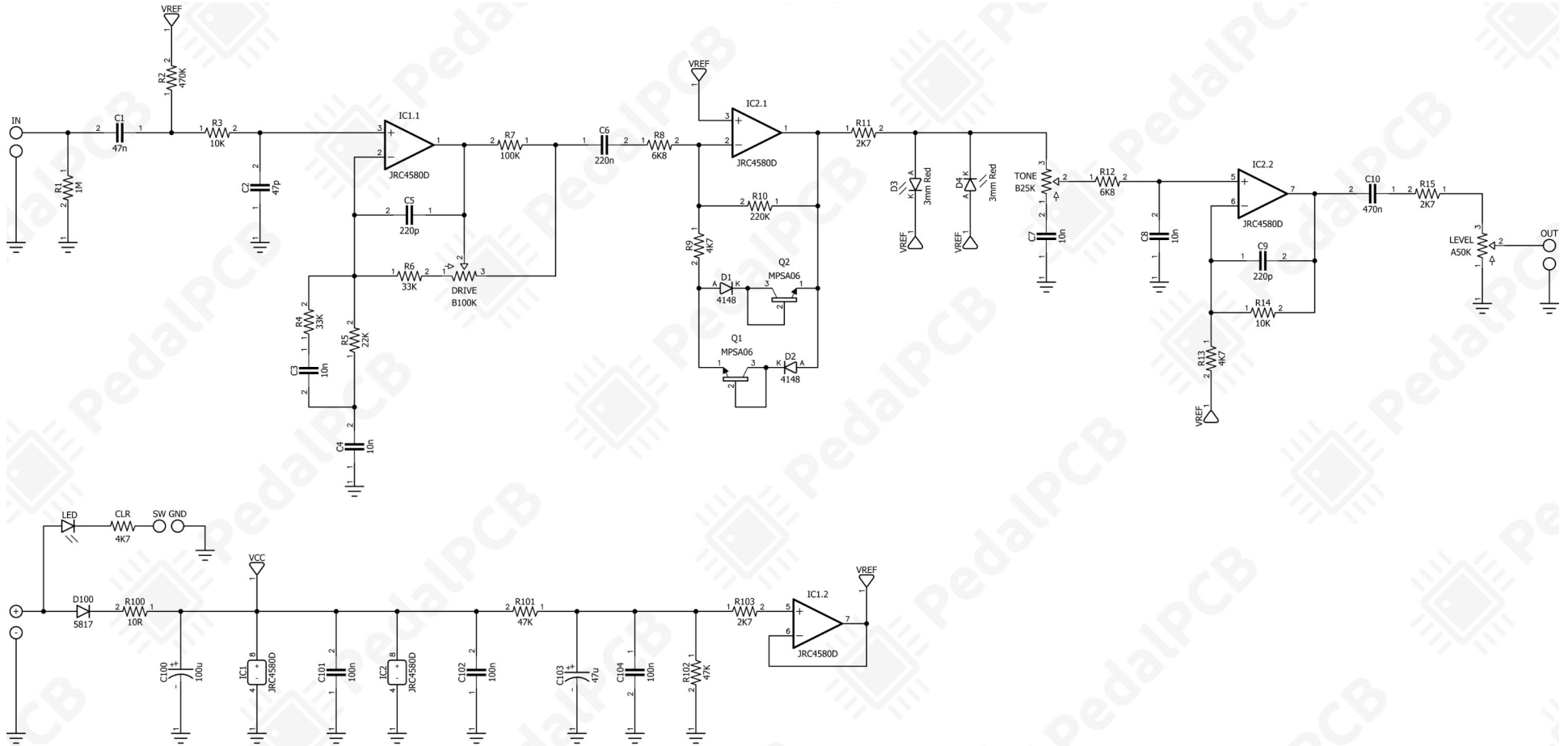
- Level
- Tone
- Drive

All trademarks and registered trademarks are the property of their respective owners. The company, product, and service names used in this web site are for identification purposes only. Use of these names, logos, and brands does not imply endorsement.

LOCATION	VALUE	TYPE	NOTES
R1	1M	Resistor, 1/4W	
R2	470K	Resistor, 1/4W	
R3	10K	Resistor, 1/4W	
R4	33K	Resistor, 1/4W	
R5	22K	Resistor, 1/4W	
R6	33K	Resistor, 1/4W	
R7	100K	Resistor, 1/4W	
R8	6K8	Resistor, 1/4W	
R9	4K7	Resistor, 1/4W	
R10	220K	Resistor, 1/4W	
R11	2K7	Resistor, 1/4W	
R12	6K8	Resistor, 1/4W	
R13	4K7	Resistor, 1/4W	
R14	10K	Resistor, 1/4W	
R15	2K7	Resistor, 1/4W	
R100	10R	Resistor, 1/4W	
R101	47K	Resistor, 1/4W	
R102	47K	Resistor, 1/4W	
R103	2K7	Resistor, 1/4W	
CLR	4K7	Resistor, 1/4W	* LED current limiting resistor
C1	47n	Film capacitor, 7.2 x 2.5mm	
C2	47p	Ceramic capacitor	
C3	10n	Film capacitor, 7.2 x 2.5mm	
C4	10n	Film capacitor, 7.2 x 2.5mm	
C5	220p	Ceramic capacitor	
C6	220n	Film capacitor, 7.2 x 5.0mm	
C7	10n	Film capacitor, 7.2 x 2.5mm	
C8	10n	Film capacitor, 7.2 x 2.5mm	
C9	220p	Ceramic capacitor	
C10	470n	Film capacitor, 7.2 x 5.0mm	
C100	100u	Electrolytic capacitor, 5mm	
C101	100n	Film capacitor, 7.2 x 2.5mm	
C102	100n	Film capacitor, 7.2 x 2.5mm	
C103	47u	Electrolytic capacitor, 5mm	
C104	100n	Film capacitor, 7.2 x 2.5mm	
D1	1N4148	Signal diode, DO-35	
D2	1N4148	Signal diode, DO-35	
D3	3mm Red	3mm Red LED, Diffused	
D4	3mm Red	3mm Red LED, Diffused	
D100	1N5817	Schottky diode, DO-41	
Q1	MPSA06	BJT transistor, NPN TO-92	
Q2	MPSA06	BJT transistor, NPN TO-92	
IC1	JRC4580D	Dual op-amp, DIP8	
IC2	JRC4580D	Dual op-amp, DIP8	
LEVEL	A50K	16mm right-angle PCB mount pot	
TONE	B25K	16mm right-angle PCB mount pot	
DRIVE	B100K	16mm right-angle PCB mount pot	

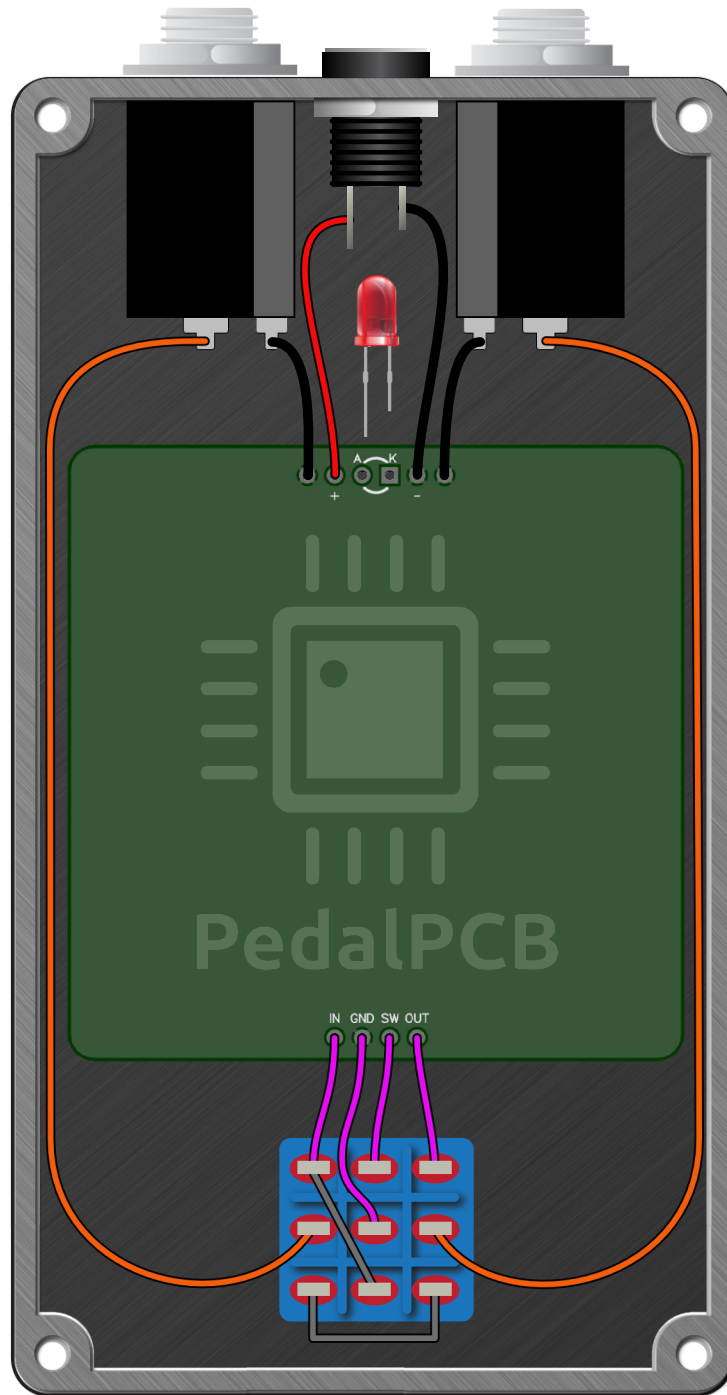
DriveGPT Overdrive

Schematic Diagram



DriveGPT Overdrive

Wiring Diagram



DriveGPT Overdrive

Drill Template
125B Enclosure

