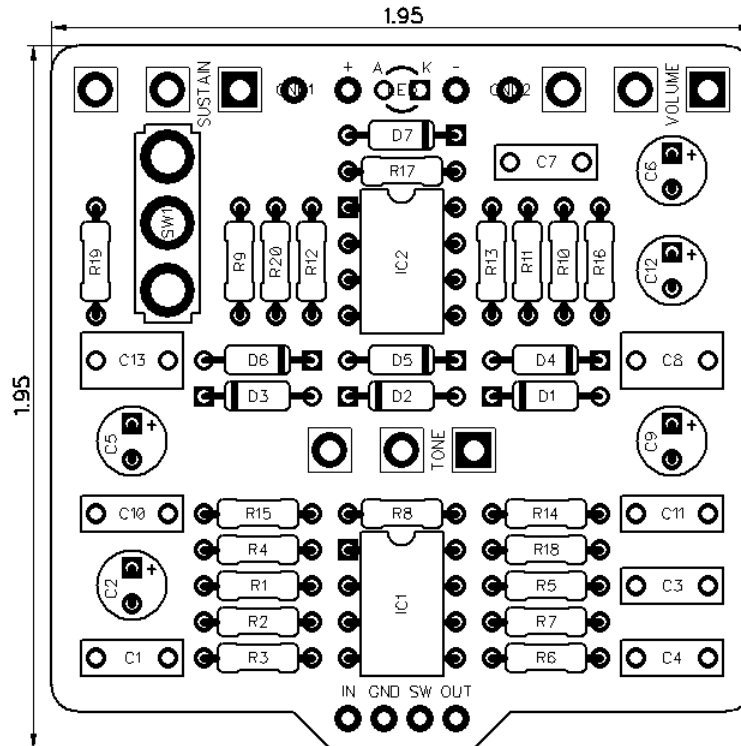


Dream Fuzz

Revision 03.05.18



Resistors

R1	56K
R2	220K
R3	220K
R4	330K
R5	10K
R6	47K
R7	560K
R8	62K
R9	47
R10	8k2
R11	470K
R12	1M
R13	820K
R14	5k6
R15	1k2
R16	100K
R17	47
R18	4k7
R19	47K
R20	47K

Capacitors

C1	150n
C2	1u
C3	4n7
C4	10n
C5	10u
C6	4u7
C7	150p
C8	220n
C9	1u
C10	100n
C11	120n
C12	220u
C13	150n

Semiconductors

IC1	RC4558
IC2	UA741CP
D1	1N4148
D2	1N4148
D3	1N4148
D4	1N4148
D5	1N4148
D6	1N4148
D7	1N5817

LED 3mm Red

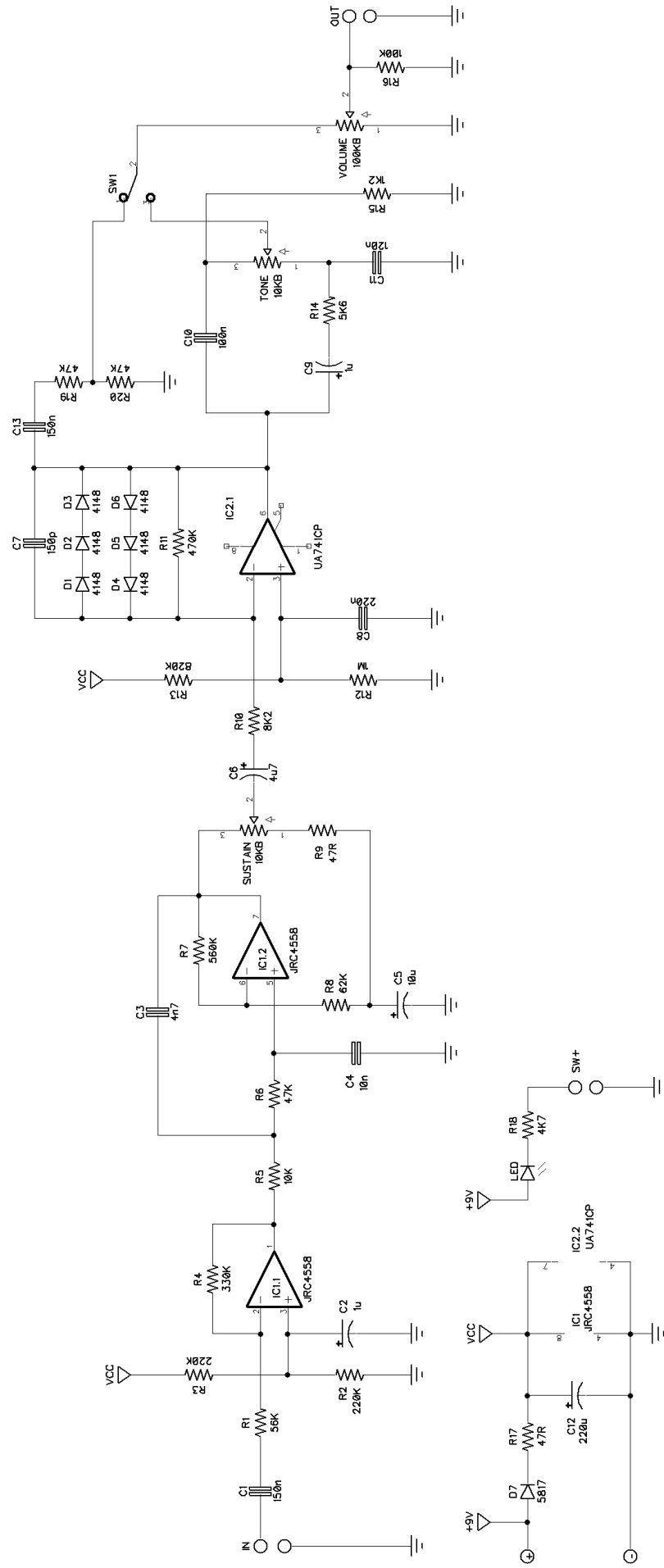
Switches

SW1 (Tone Bypass) SPDT Toggle

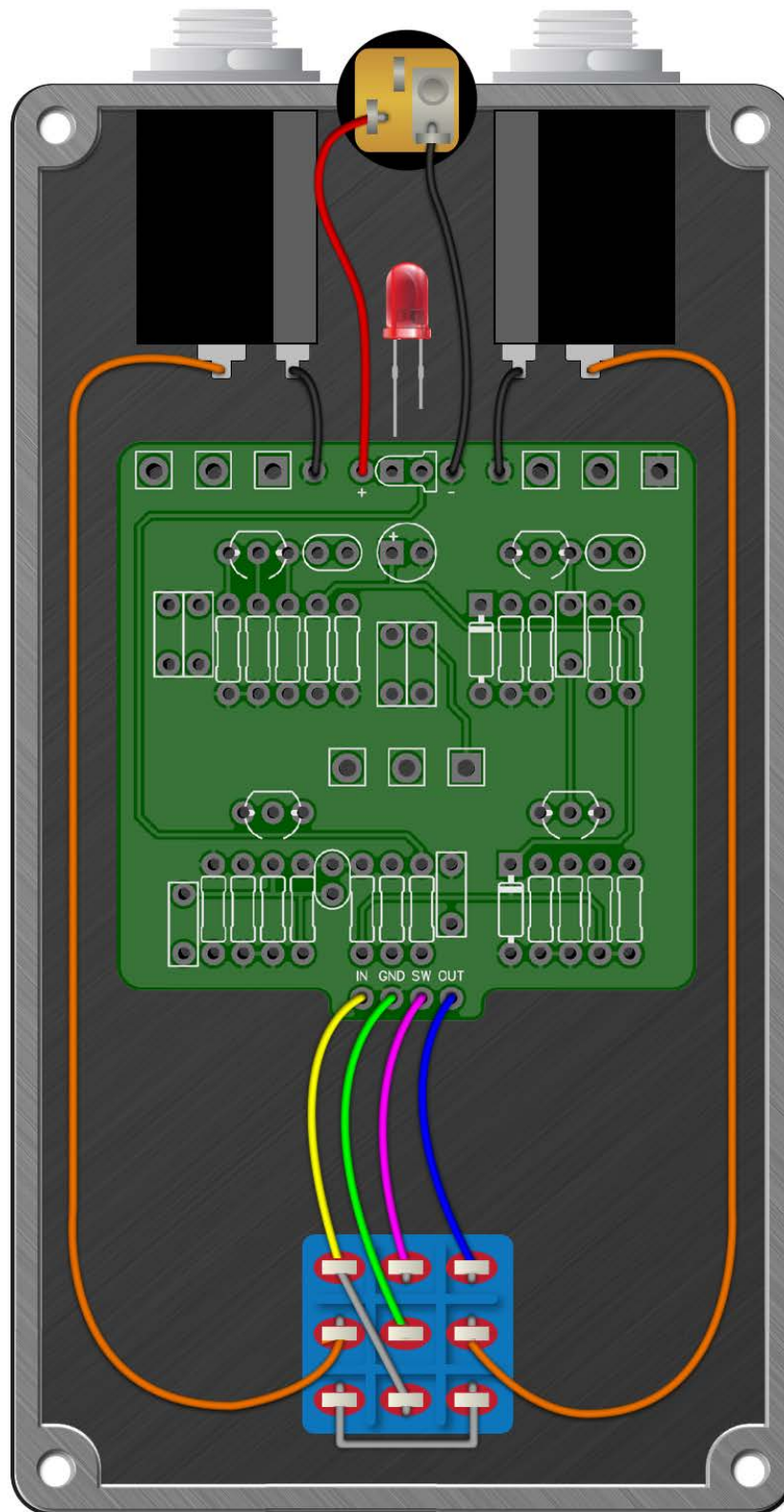
Potentiometers

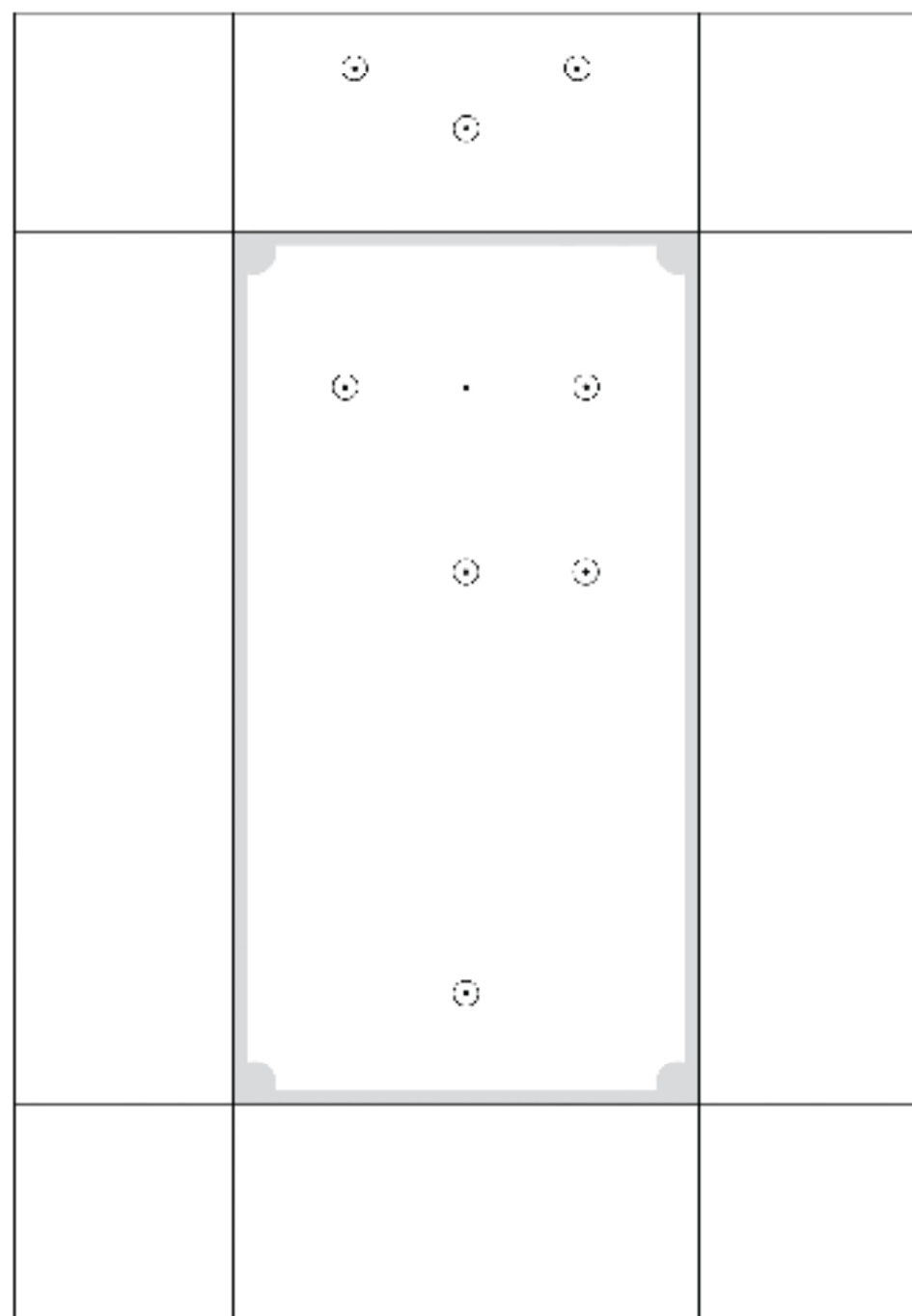
VOLUME	B100K
TONE	B10K
SUSTAIN	B10K

Dream Fuzz



Wiring Diagram





Bill of Materials

Resistors (1/4W)

2 x 47
1 x 1k2
1 x 4k7
1 x 5k6
1 x 8k2
1 x 10K
1 x 47K
1 x 56K
1 x 62K
1 x 100K
2 x 220K
1 x 330K
1 x 470K
1 x 560K
1 x 820K
1 x 1M

Capacitors

1 x 150p
1 x 4n7
1 x 10n
1 x 100n
1 x 120n
1 x 150n
1 x 220n
2 x 1u
1 x 4u7
1 x 10u
1 x 220u

Semiconductors

1 x LM741
1 x RC4558
6 x 1N4148
1 x 1N5817

Potentiometers

2 x B10K
1 x B100K