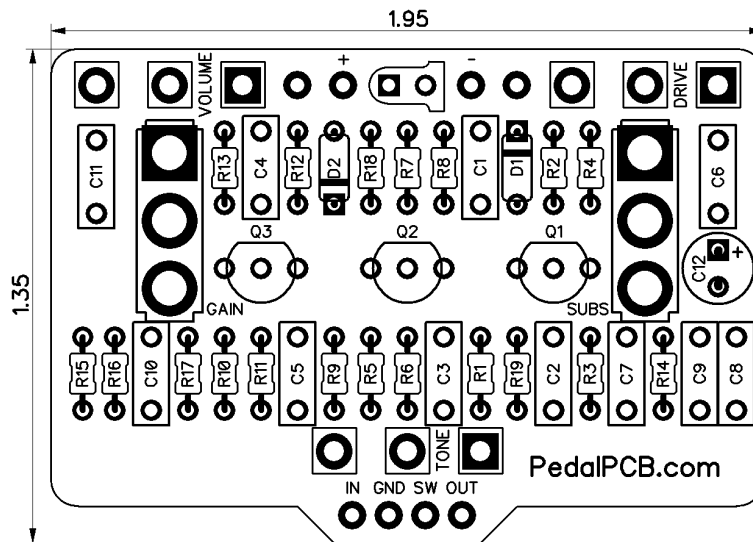


# Distortr

Revision 08.20.17



## Resistors

R1	1M
R2	1M
R3	1M
R4	5K1
R5	470K
R6	1M
R7	1M
R8	5K1
R9	180
R10	1M
R11	1M
R12	5K1
R13	330
R14	47K
R15	82K
R16	10K
R17	10K
R18	82
R19	4K7

## Capacitors

C1	100n
C2	22n
C3	470p
C4	22n
C5	820n
C6	47n
C7	56n
C8	10n
C9	22n
C10	2n2
C11	2n2
C12	47u

## Semiconductors

Q1	BS170
Q2	BS170
Q3	BS170
D1	9v1 Zener
D2	1N5817
D3	LED

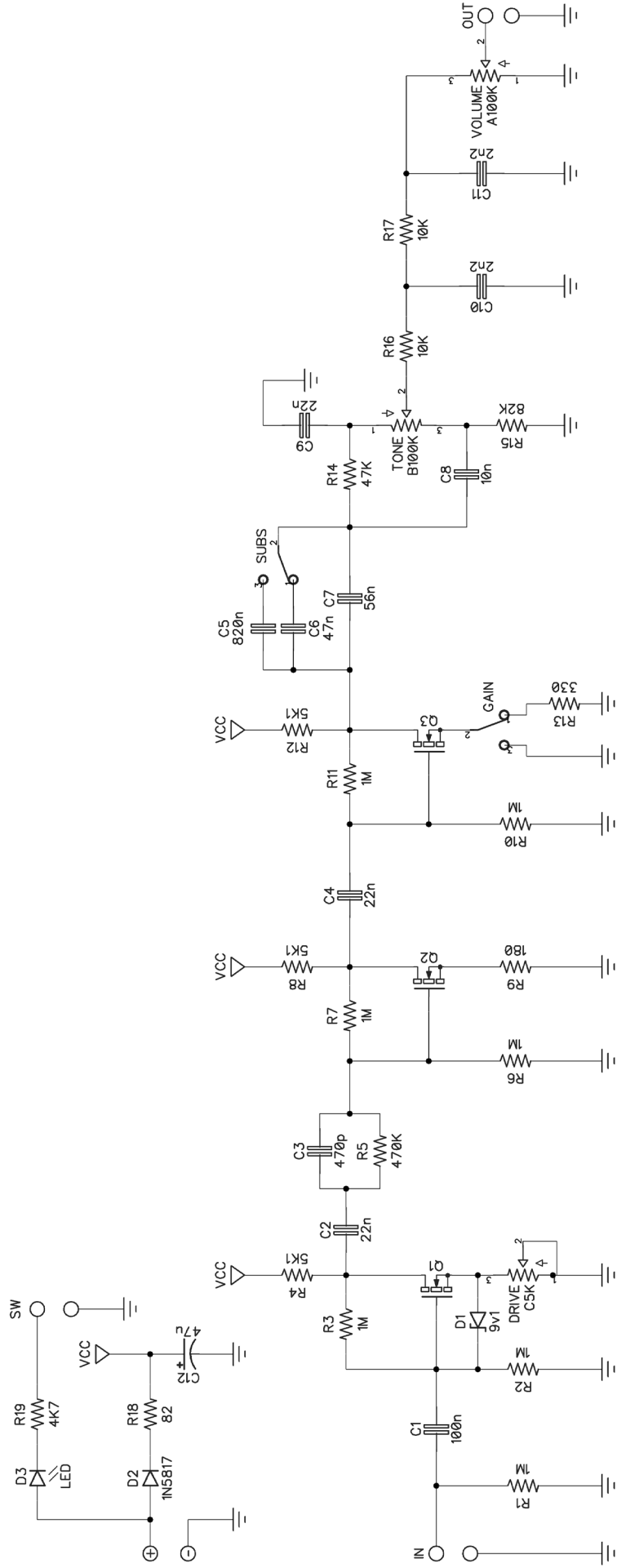
## Switches

GAIN	SPDT (On - On)
SUBS	SPDT (On - Off - On)

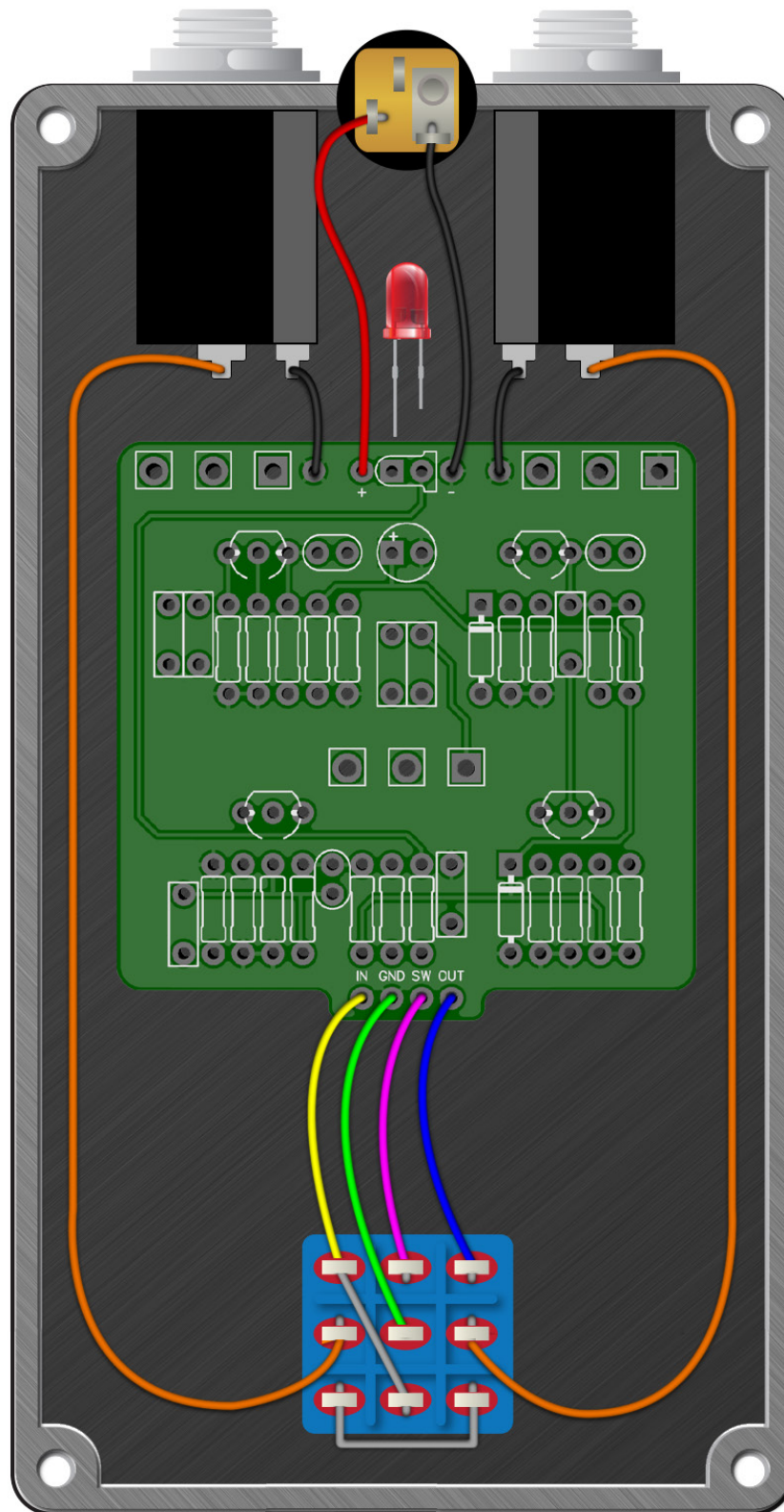
## Potentiometers

VOLUME	A100K
TONE	B100K
DRIVE	C5K

# Distortr

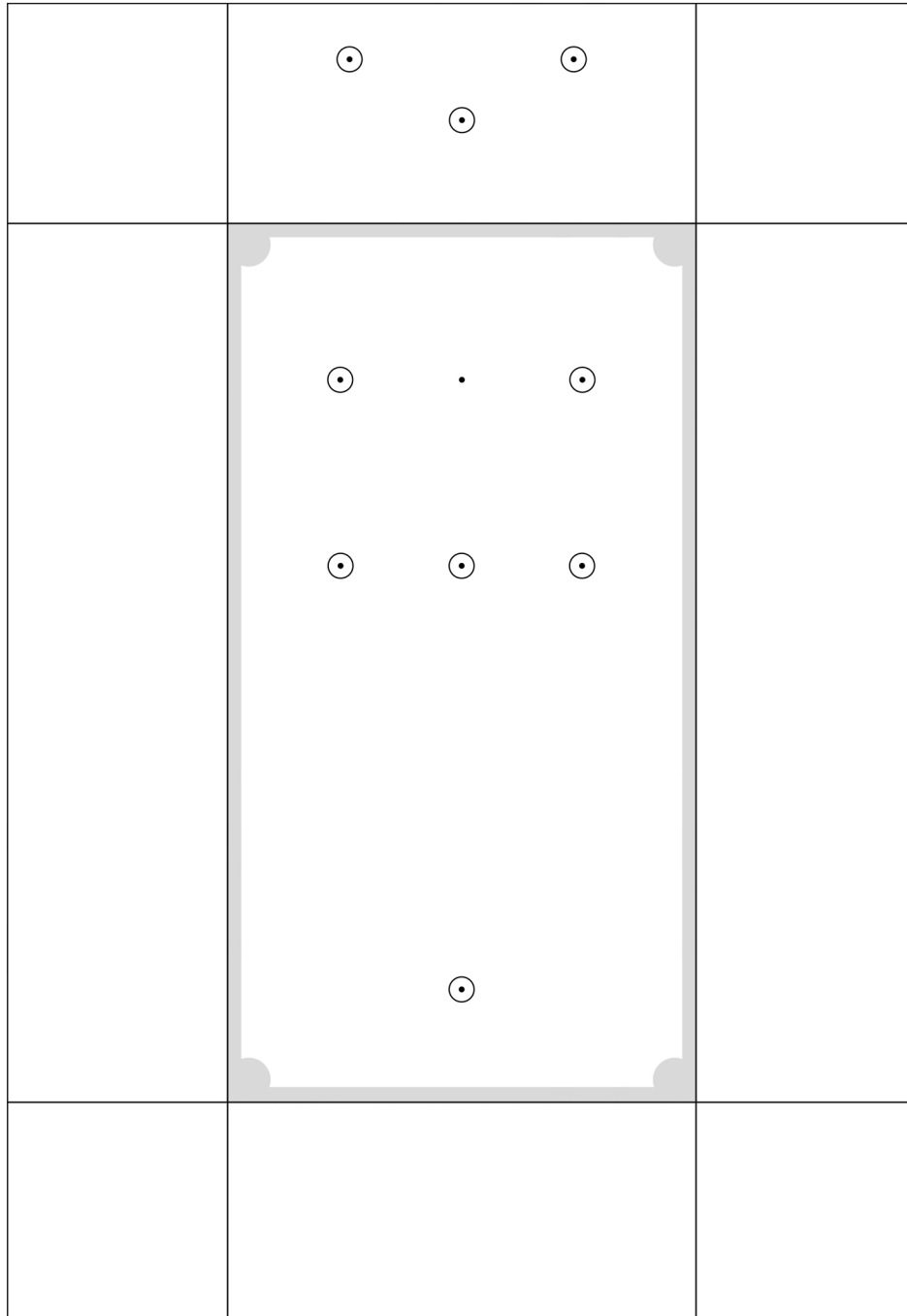


# Wiring Diagram



# Drill Template

4S125B enclosure with top mounted jacks



# Bill of Materials

## Resistors (1/4W)

1 x 82  
1 x 180  
1 x 330  
1 x 4K7  
3 x 5K1  
2 x 10K  
1 x 47K  
1 x 82K  
1 x 470K  
7 x 1M

## Capacitors

1 x 470p  
  
2 x 2n2  
1 x 10n  
3 x 22n  
1 x 47n  
1 x 56n  
1 x 100n  
1 x 820n  
  
1 x 47u

## Semiconductors

3 x BS170  
  
1 x 1N5817  
1 x 1N4739A  
  
1 x 3mm Red LED

## Switches

1 x SPDT Toggle Switch (On - On)  
1 x SPDT Toggle Switch (On - Off - On)

## Potentiometers

1 x A100K  
1 x B100K  
1 x C5K