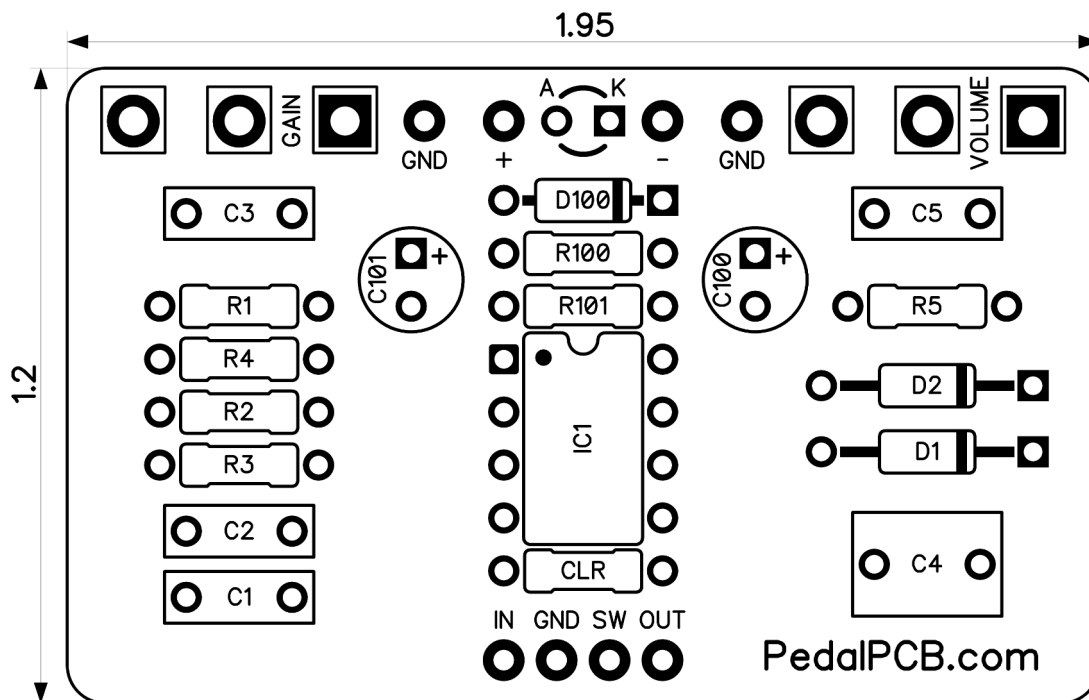




PedalPCB

Distortion 250

Revised 7/6/25



CONTROLS AND FEATURES

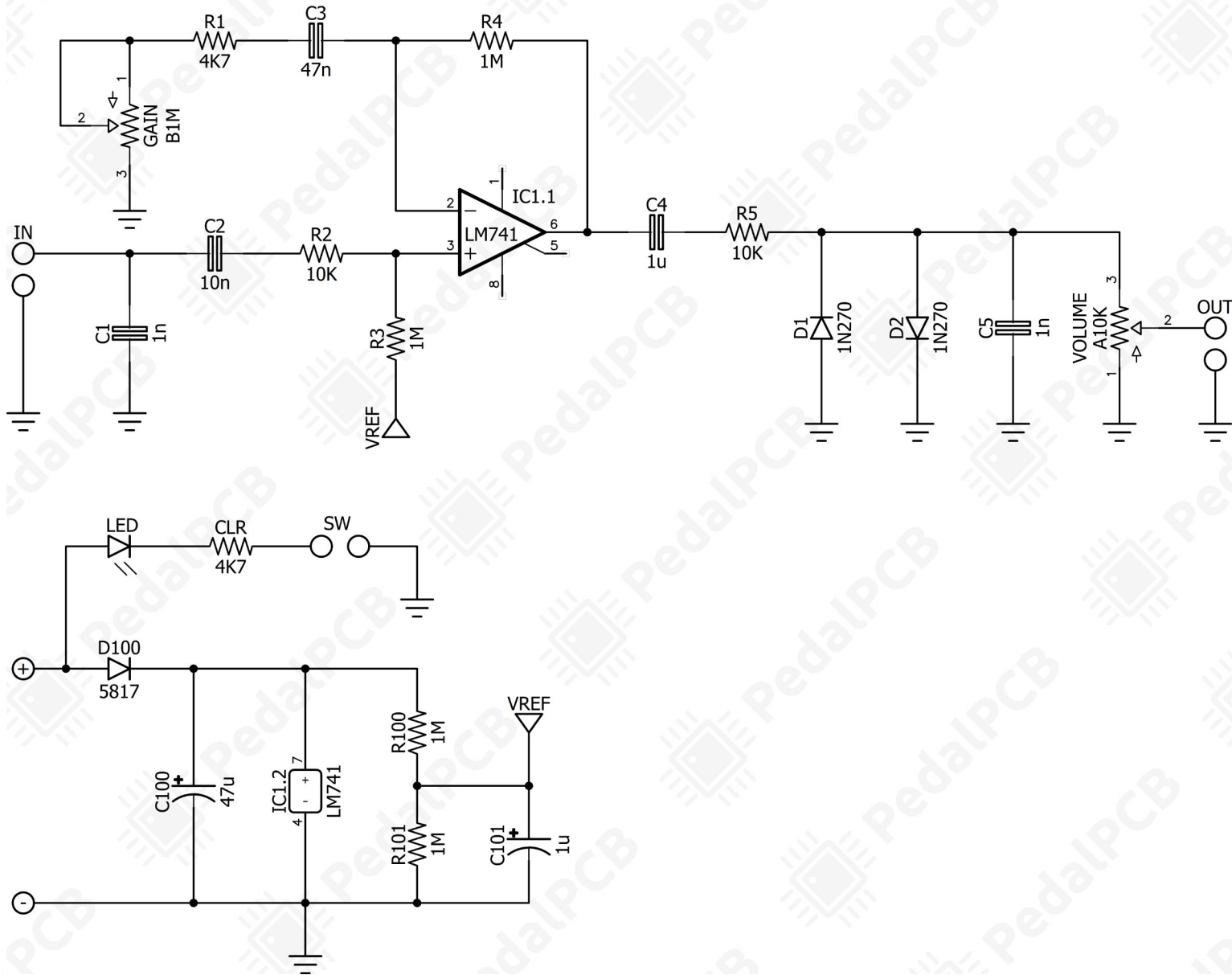
- Volume
- Gain

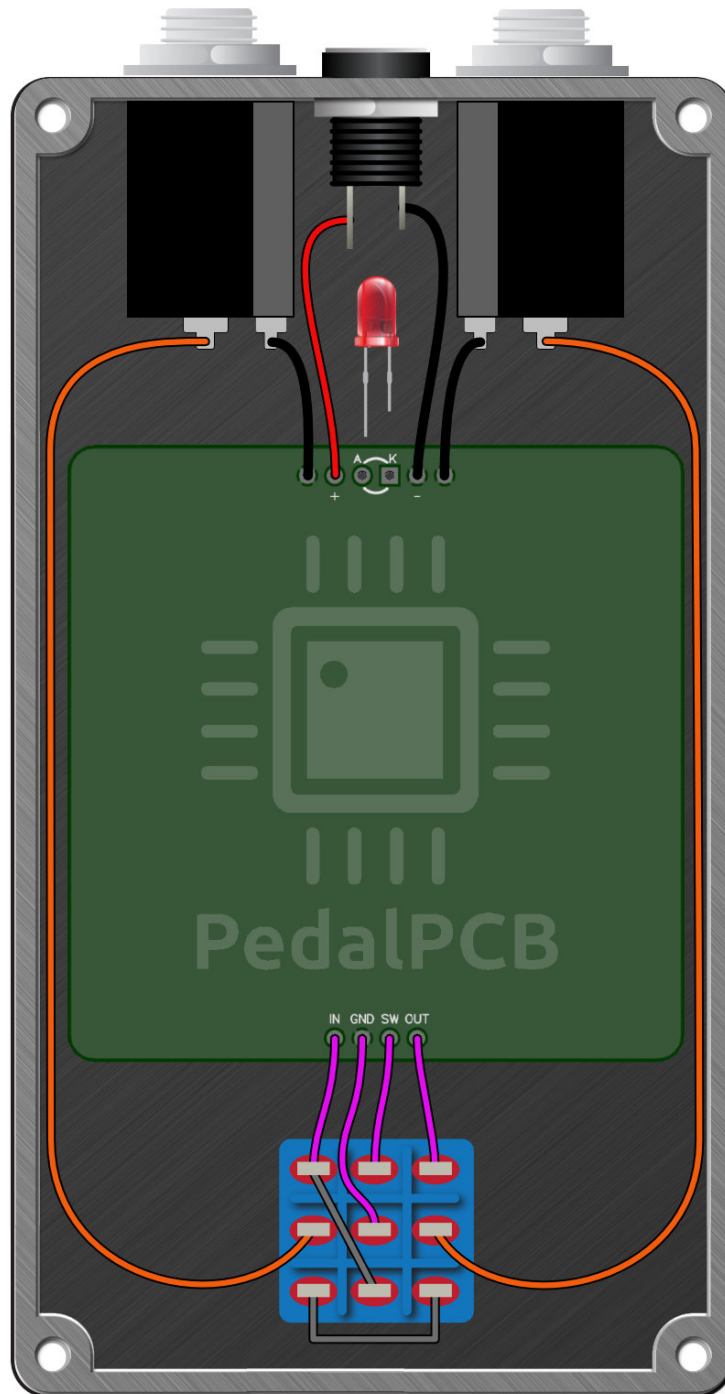
All trademarks and registered trademarks are the property of their respective owners. The company, product, and service names used in this web site are for identification purposes only. Use of these names, logos, and brands does not imply endorsement.

LOCATION	VALUE	TYPE	NOTES
R1	4K7	Resistor, 1/4W	
R2	10K	Resistor, 1/4W	
R3	1M	Resistor, 1/4W	
R4	1M	Resistor, 1/4W	
R5	10K	Resistor, 1/4W	
R100	1M	Resistor, 1/4W	
R101	1M	Resistor, 1/4W	
CLR	4K7	Resistor, 1/4W	* LED current limiting resistor
C1	1n	Film capacitor, 7.2 x 2.5mm	
C2	10n	Film capacitor, 7.2 x 2.5mm	
C3	47n	Film capacitor, 7.2 x 2.5mm	
C4	1u	Film capacitor, 7.2 x 5.0mm	
C5	1n	Film capacitor, 7.2 x 2.5mm	
C100	47u	Electrolytic capacitor, 5mm	
C101	1u	Electrolytic capacitor, 5mm	
D1	1N270	Germanium diode	
D2	1N270	Germanium diode	
D100	1N5817	Schottky diode, DO-41	
IC1	LM741	Single op-amp, DIP8	
GAIN	B1M	16mm right-angle PCB mount pot	
VOLUME	A10K	16mm right-angle PCB mount pot	

Distortion 250

Schematic Diagram





Distortion 250

Drill Template
125B Enclosure

