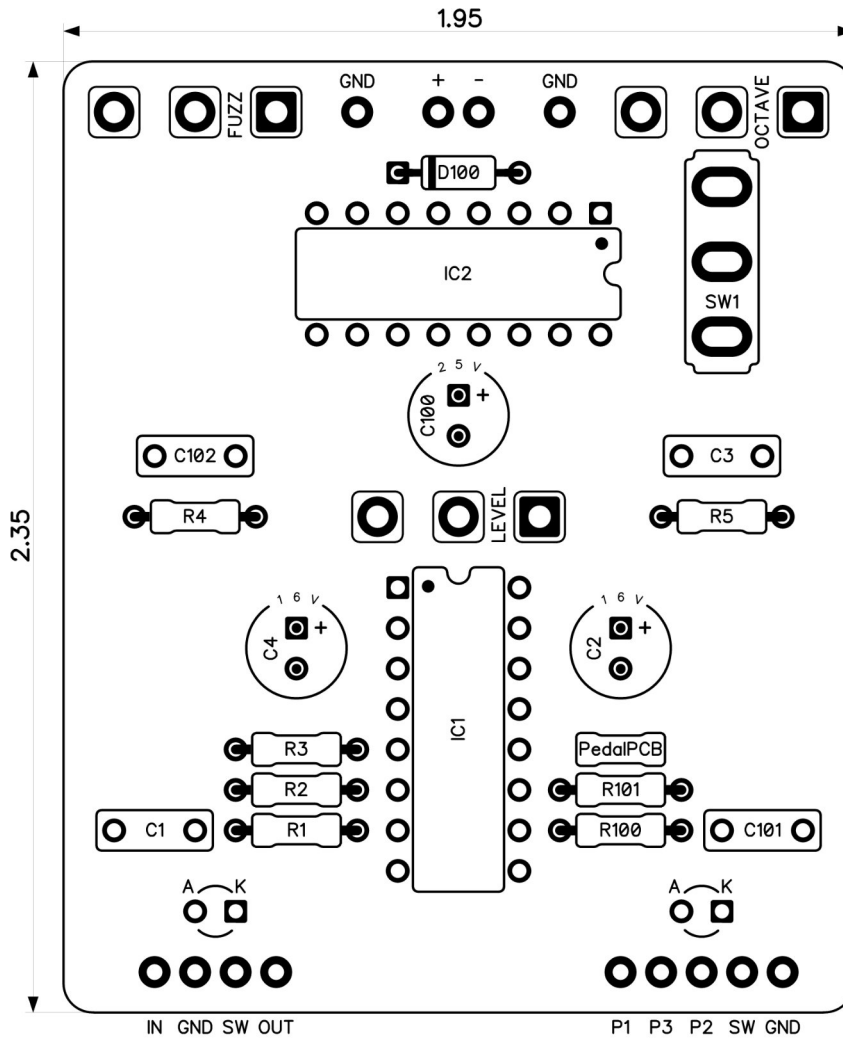


# PedalPCB

## Dirt Dauber Sub-Octave Fuzz

Revised 8/18/22



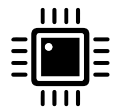
### CONTROLS

- Octave
- Fuzz
- Level
- Octave -1 / -2 (Toggle Switch)

### FOOTSWITCHES

- Active/Bypass
- Octave

All trademarks and registered trademarks are the property of their respective owners. The company, product, and service names used in this web site are for identification purposes only. Use of these names, logos, and brands does not imply endorsement.



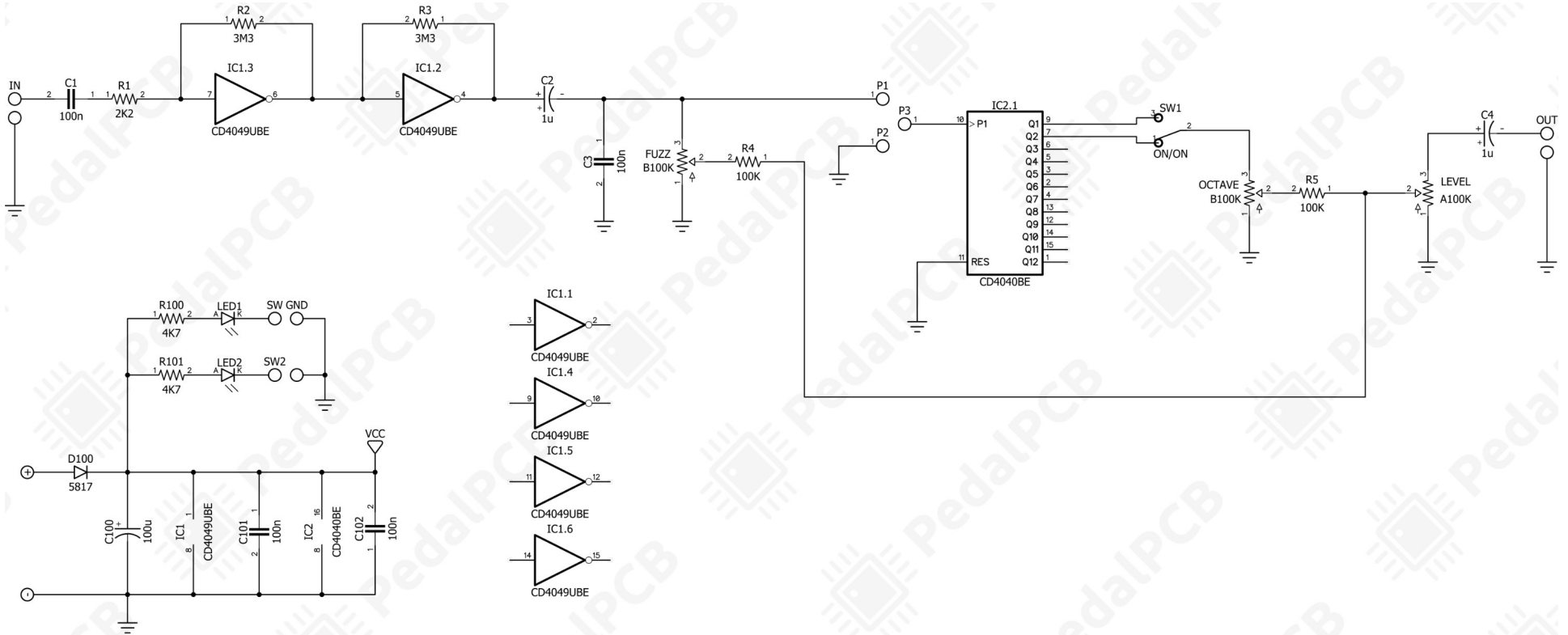
# PedalPCB **Dirt Dauber Sub-Octave Fuzz**

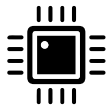
Parts List (Page 1 of 1)

LOCATION	VALUE	TYPE	NOTES
R1	2K2	Resistor, 1/4W	
R2	3M3	Resistor, 1/4W	
R3	3M3	Resistor, 1/4W	
R4	100K	Resistor, 1/4W	
R5	100K	Resistor, 1/4W	
R100	4K7	Resistor, 1/4W	
R101	4K7	Resistor, 1/4W	
C1	100n	Film capacitor, 7.2 x 2.5mm	
C2	1u	Electrolytic capacitor, 5mm	
C3	100n	Film capacitor, 7.2 x 2.5mm	
C4	1u	Electrolytic capacitor, 5mm	
C100	100u	Electrolytic capacitor, 6.3mm	
C101	100n	Film capacitor, 7.2 x 2.5mm	
C102	100n	Film capacitor, 7.2 x 2.5mm	
D100	1N5817	Schottky diode, DO-41	
IC1	CD4049UBE	CMOS Hex/Buffer/Converter	
IC2	CD4040BE	CMOS 12-Bit Binary Counter	
SW1	ON/ON	Toggle switch, SPDT	2-position (ON/ON)
OCTAVE	B100K	16mm right-angle PCB mount pot	
FUZZ	B100K	16mm right-angle PCB mount pot	
LEVEL	A100K	16mm right-angle PCB mount pot	

# Dirt Dauber Sub-Octave Fuzz

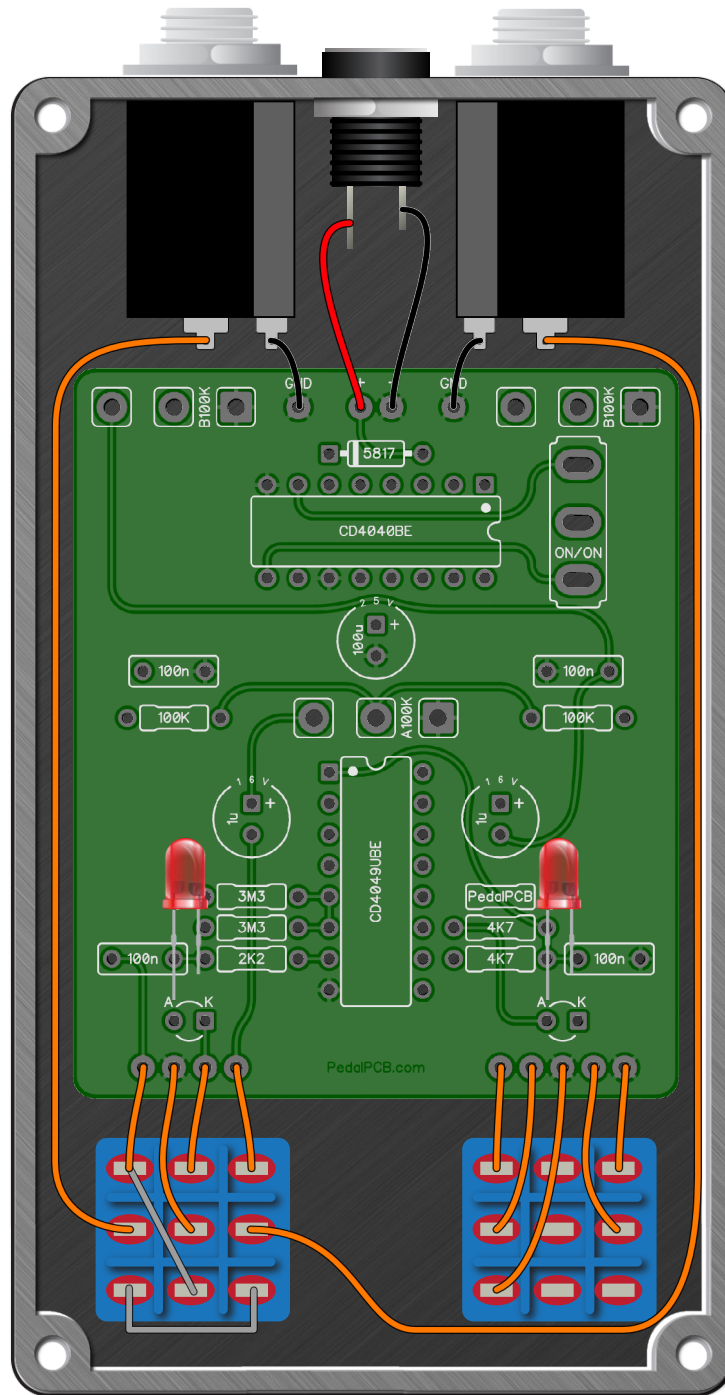
Schematic Diagram

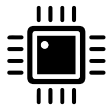




# PedalPCB Dirt Dauber Sub-Octave Fuzz

Wiring Diagram





# PedalPCB **Dirt Dauber Sub-Octave Fuzz**

Drill Template  
125B Enclosure

