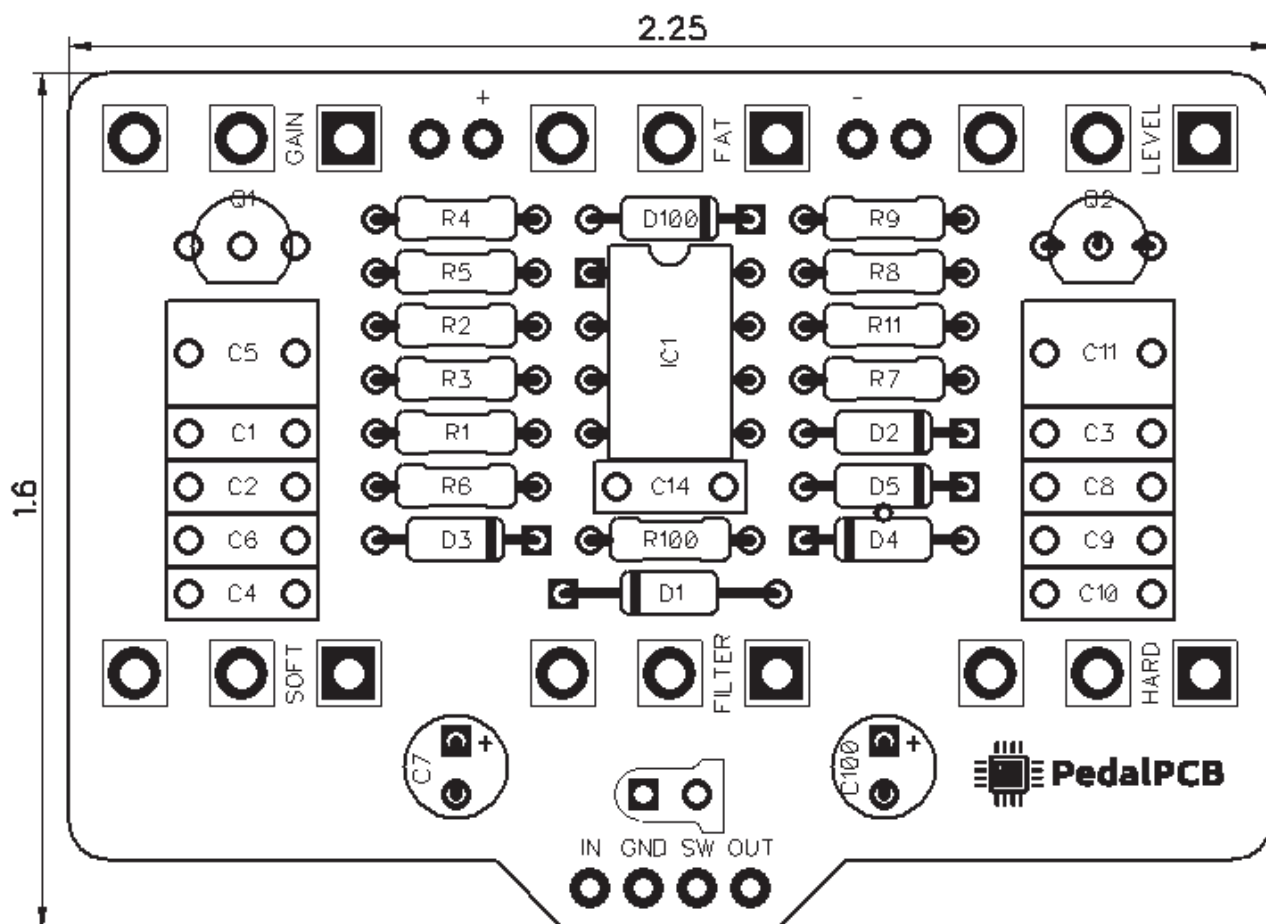




PedalPCB

Dingo Distortion

Revision 12.24.18



Controls

- Gain
- Fat
- Level
- Soft
- Hard
- Filter

All trademarks and registered trademarks are the property of their respective owners. The company, product, and service names used in this web site are for identification purposes only. Use of these names, logos, and brands does not imply endorsement.

Dingo Distortion

Parts List

RESISTORS (1/4W)

R1 1K
R2 2M2
R3 2M2
R4 470R
R5 470R
R6 1K
R7 1K
R8 1M
R9 10K
R11 1K
R100 4K7

CAPACITORS

C1 220n
C2 1n
C3 10p
C4 100p
C5 1u
C6 220n
C7 4u7
C8 1n
C9 4n7
C10 220n
C11 1u
C14 33p
C100 100u

INTEGRATED CIRCUITS

IC1 LM308N

TRANSISTORS

Q1 BS170
Q2 2N5458

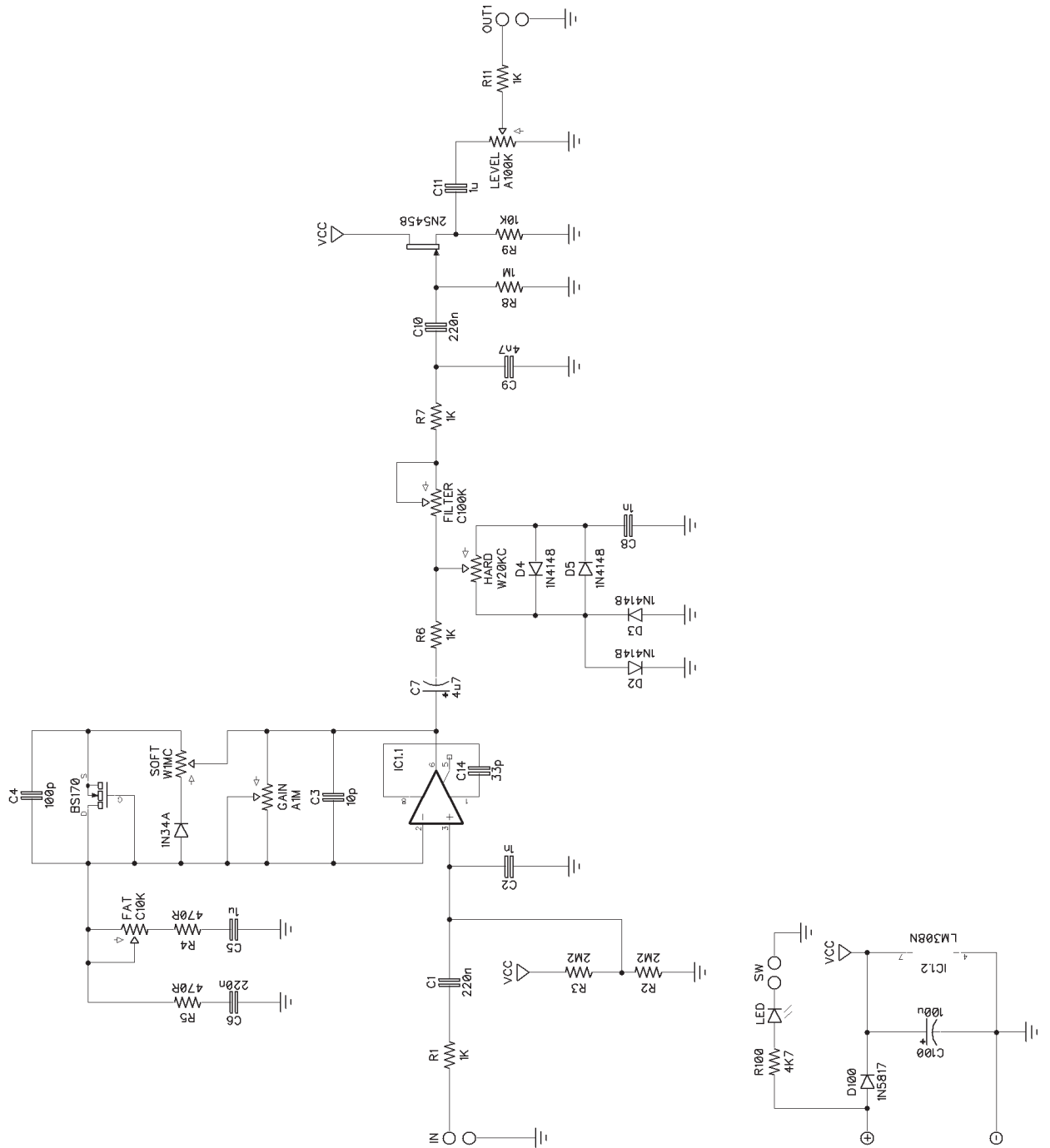
DIODES

D1 1N34A
D2 1N4148
D3 1N4148
D4 1N4148
D5 1N4148
D100 1N5817

POTENTIOMETERS

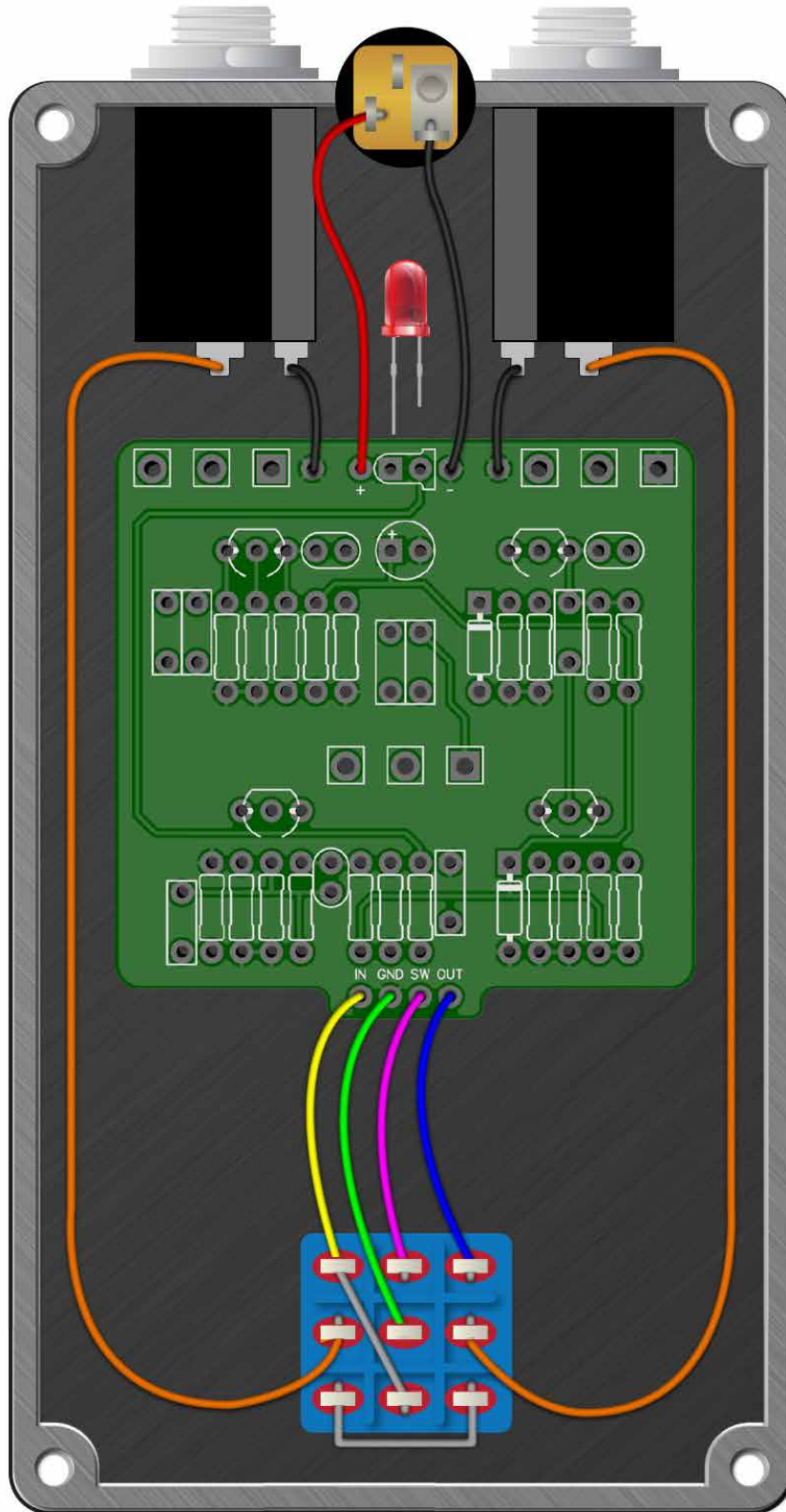
LEVEL A100K
GAIN A1M
FAT C10K
FILTER C100K
HARD W20KC
SOFT W1MC

Dingo Distortion



Dingo Distortion

Wiring Diagram



Dingo Distortion

Drill Template
125B enclosure with top mounted jacks

