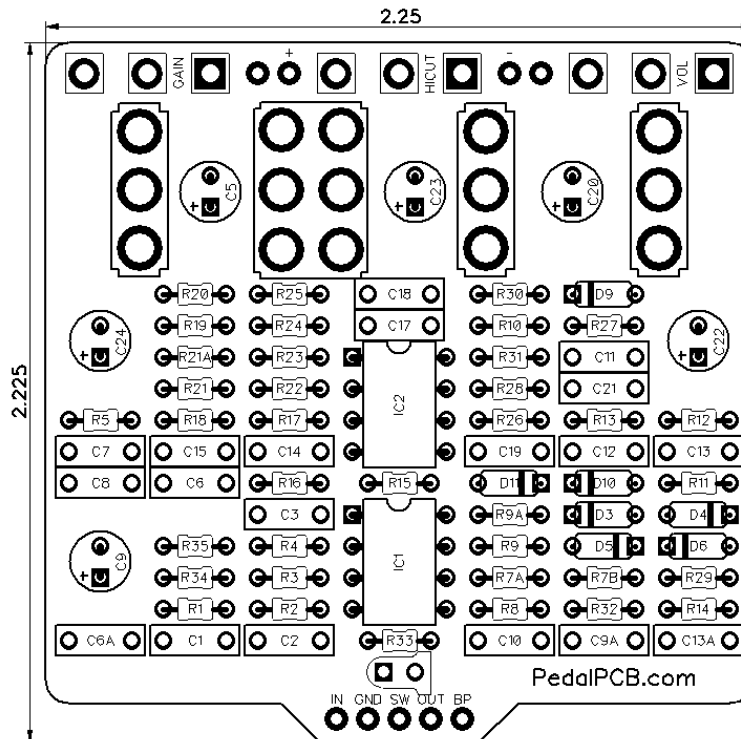




PedalPCB

Derailer Overdrive

Revision 06.22.18



Introduction

The Derailer Overdrive was inspired by a pedal emulation of the Trainwreck™ Express amplifier.

Controls

- **Gain** – Controls the input gain
- **Hi Cut** – Controls post OD high frequency cut
- **Vol** – Controls the overall output volume
- **Bright** (Toggle switch) – Controls the pre OD high frequency boost (Bright / Flat / Dark)
- **Voice** (Toggle switch) – Toggles between two distinct voices (Vintage / Modern)
- **Presence** (Toggle switch) – Controls the post OD high frequency boost (Bright / Flat / Dark)
- **Cab** (Toggle switch) – Controls the pre OD high frequency boost (4x12", Flat, 2x12")

All trademarks and registered trademarks are the property of their respective owners. The company, product, and service names used in this web site are for identification purposes only. Use of these names, logos, and brands does not imply endorsement.

Derailer Overdrive

Parts List

RESISTORS (1/8W)

R1 1M
R2 1M
R3 1K
R4 10K
R5 4K7
R8 1M
R9 100K
R10 13K
R11 10K
R12 10K
R13 13K
R14 4K7
R15 18K
R16 47K
R17 47K
R18 68K
R19 4K7
R20 4M7
R21 2K2
R22 2K2
R23 2K2
R24 470
R25 1K
R26 4K7
R27 2K2
R28 4K7
R29 1K
R30 10R
R31 10K
R32 10K
R33 4K7
R34 1K
R35 10K
R21A 4K7
R7A 3K3
R7B 100K
R9A 220R

CAPACITORS

C1 22n
C2 220p
C3 220p
C5 22u
C6 22n
C7 47n
C8 10n
C9 22u
C10 220p
C11 2u2 MLCC
C12 2u2 MLCC
C13 1n2
C14 47n
C15 47n
C17 220n
C18 100n
C19 12n
C20 22u
C21 220p
C22 22u
C23 220u
C24 470u
C13A 10n
C6A 3n3
C9A 2u2 MLCC

POTENTIOMETERS

VOL B10K
GAIN B10K
HICUT B50K

SWITCHES

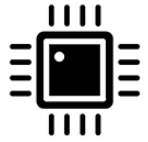
SW1 SPDT Toggle (ON/OFF/ON)
SW2 DPDT Toggle (ON/ON)
SW3 SPDT Toggle (ON/OFF/ON)
SW4 SPDT Toggle (ON/OFF/ON)

INTEGRATED CIRCUITS

IC1 OPA2134
IC2 OPA2134

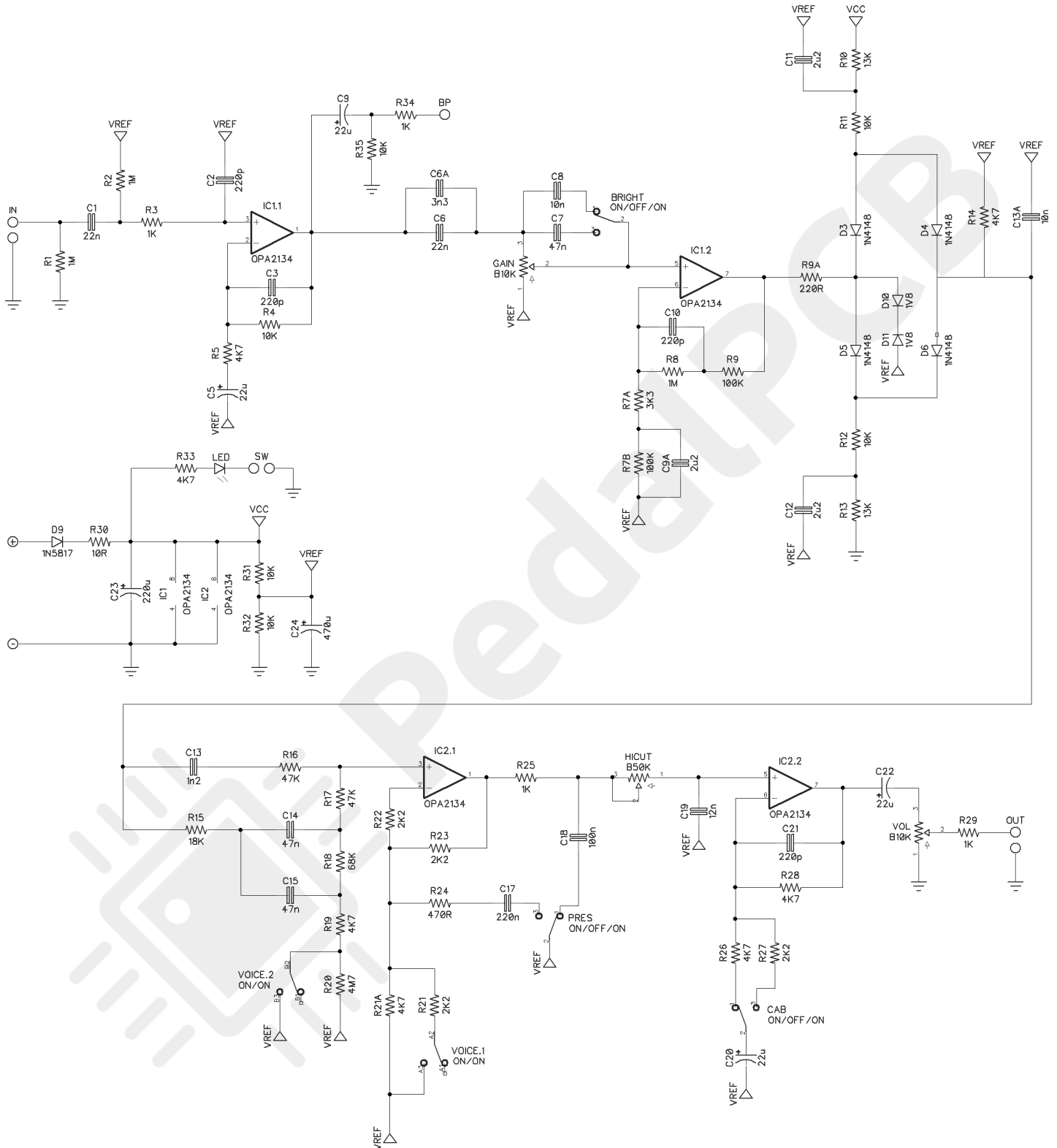
DIODES

D3 1N4148
D4 1N4148
D5 1N4148
D6 1N4148
D9 1N5817
D10 1V8 Zener
D11 1V8 Zener



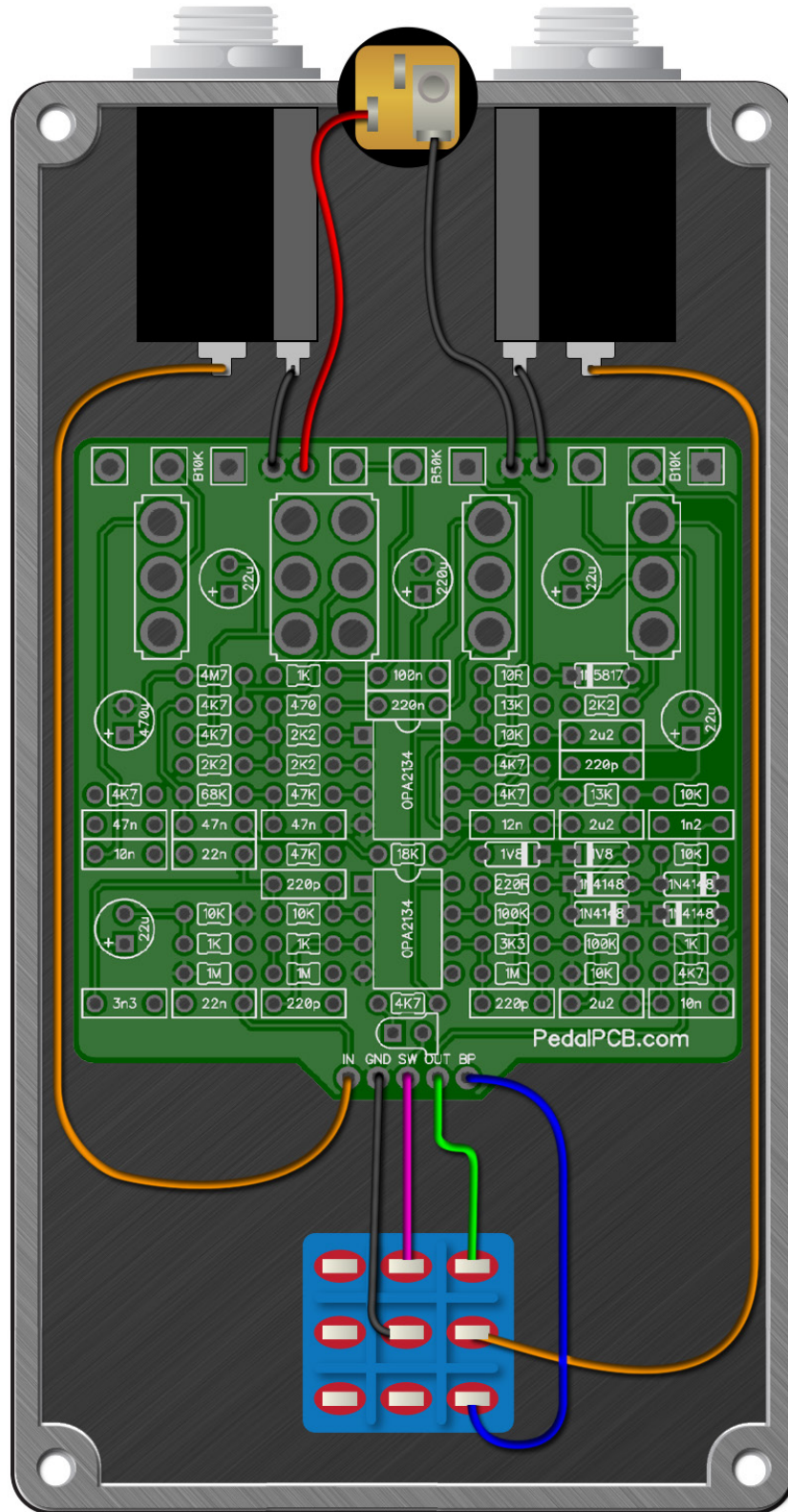
PedalPCB

Derailer Overdrive



Derailer Overdrive

Wiring Diagram



Derailer Overdrive

Drill Template
125B enclosure with top mounted jacks

